

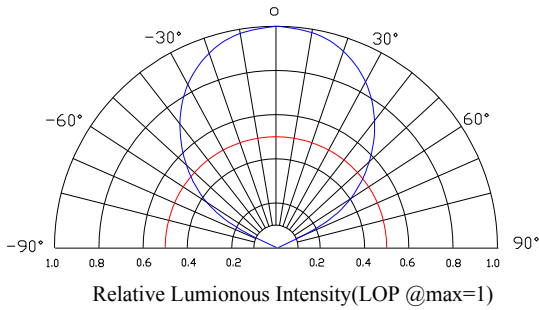
FYL- 55A3XXXX1A

Features:

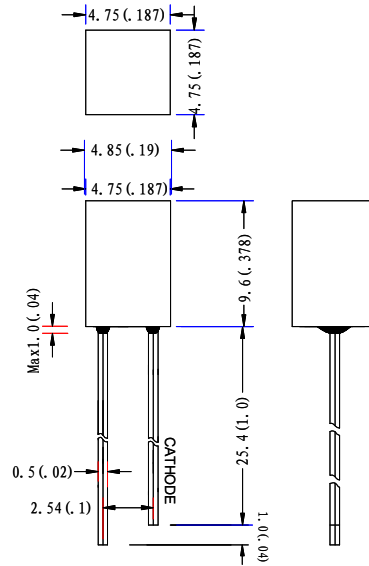
- General purpose leads
- RoHs compliant.

Descriptions:

- Dice material: GaP/GaAsP/InGaN/AlGaInP.
- Device Outline: 5*5mm Square Type.
- Radiation pattern.



Package configuration



- ◆ All dimensions are millimeters (inches)
- ◆ Tolerance is $\pm 0.25\text{mm}(.010\text{'})$ unless otherwise noted.

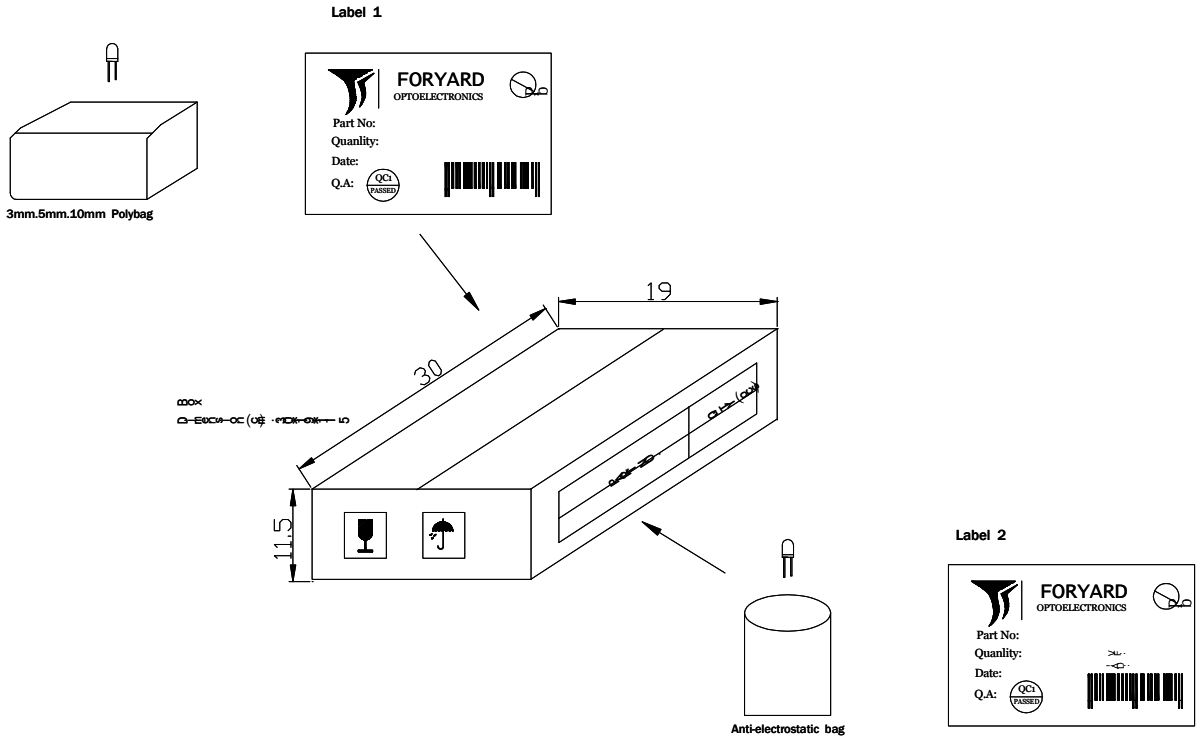
Absolute maximum ratings($T_a=25\text{ }^\circ\text{C}$)

Parameter	MAX.	Unit
Continuous Forward Current	20	mA
Derating Linear From 50°C	0.4	mA/ $^\circ\text{C}$
Reverse Voltage	5	V
Operating Temperature Range	-30°C to $+80^\circ\text{C}$	
Storage Temperature Range	-40°C to $+100^\circ\text{C}$	
Lead Soldering Temperature[4mm(.157") From Body]	260°C for 5 Seconds	

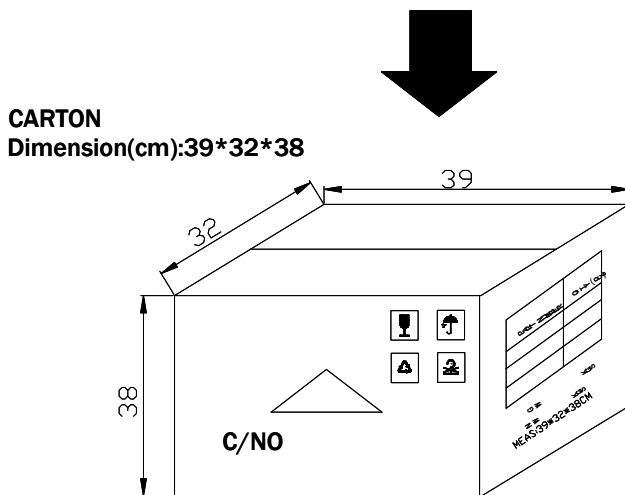
Optical Characteristics at TA = 25° C,IF=20mA.

Part Number	Lens Color	Wave length (nm)	Intensity (mcd)	Angle ^{2 θ} 1/2
FYL-55A3HD1A	Red diffused	700	20	100
FYL-55A3ED1A	Red diffused	625	50	100
FYL-55A3AD1A	Amber diffused	610	50	100
FYL-55A3YD1A	Yellow diffused	588	50	100
FYL-55A3GD1A	Green diffused	568	45	100
FYL-55A3LRC1A	Water clear	660	350	100
FYL-55A3SURC1A	Water clear	630	520	100
FYL-55A3NURC1A	Water clear	630	600	100
FYL-55A3SUEC1A	Water clear	625	500	100
FYL-55A3SUAC1A	Water clear	610	480	100
FYL-55A3SUYC1A	Water clear	588	500	100
FYL-55A3MUGC1A	Water clear	568	420	100
FYL-55A3PGC1A	Water clear	520	1800	100
FYL-55A3BGC1A	Water clear	505	1800	100
FYL-55A3UBC1A	Water clear	470	850	100
FYL-55A4UWC1A	Water clear	X:0.29 Y:0.30 CCT:9500k	1200	100

LAMP PACKING.



DEVICE	QTY/polybag(pcs)	Polybag/box A	Fig
5mm(T-1 3/4)	1000	8 bags	Label 1
3mm(T-1)	1000	10 bags	Label 1
10mm(T-1)	250	8 bags	Label 1
Blue/Green/White	500pcs	8 bags	Label 2



6 Boxes/Carton
 5mm:48,000pcs
 3mm:60,000pcs
 10mm:12,000pcs
 Blue/Pure Green/bluish Green
 /White:24,000pcs