

Data sheet

Commercial Art.No.: 91.951.9053.0

Device connector GST15i5S B1 R W WS

GST15i5 device connector, 5 pole, snap-in female, coding mains 250/400 V, 16 A, coding color white, color snap-in frame white



Commercial Art.No.	91.951.9053.0
EAN	4015573916173
Order Unit	1

Certificates / Approvals



Technical data

General

Rated current	16 A
Rated voltage	250 V / 400 V
Pollution degree	2
Mechanical coding	Code 1
Rated impulse voltage	4 kV
Lockable	self-locking (unlocking by tool)
Color of coding/ contact carrier	white
Marking of poles	3, 2, 1, PE, N
Color of separate adapter (if present)	white

Connection Data

Connection cross section solid mm ² max.	2.5 mm ²
Connection cross section solid mm ² min.	0.5 mm ²
Connection cross section fine stranded mm ² max.	2.5 mm ²
Connection cross section fine stranded mm ² min.	0.5 mm ²
Terminations per pole	1
Wire strip length	8 mm

Model

Model	female
Connection type	screw connection
Angle of plug	straight
Degree of protection (IP)	IP20
Thickness of housings (electrical device) 2	0.5 mm
Thickness of housings (electrical device)	1.5 mm

built-in component	snap-in
--------------------	---------

Material

Housing material	Polyamide
halogen free	yes
Contact material	CuZn
Fire load	0.058 kWh
Insulation components continuous temperature	100 °C
Surface finish	Silver-plated

Dimensions

Length	31.2 mm
Width	34.6 mm
Height	19.6 mm

Classification

ECLASS 11	
ECLASS 8.1	27440602
ETIM 7.0	EC002566
ETIM 6.0	EC002566
ETIM 5.0	EC002566
ETIM 4.0	EC002566

Product compliance

ROHS conformity status	Compliant/Exempted
ROHS exceptions	III-6(c)
REACH-SVHC conformity status	Duty-To-Declare
REACH-SVHC substances	Lead
REACH-SVHC CAS numbers	7439-92-1

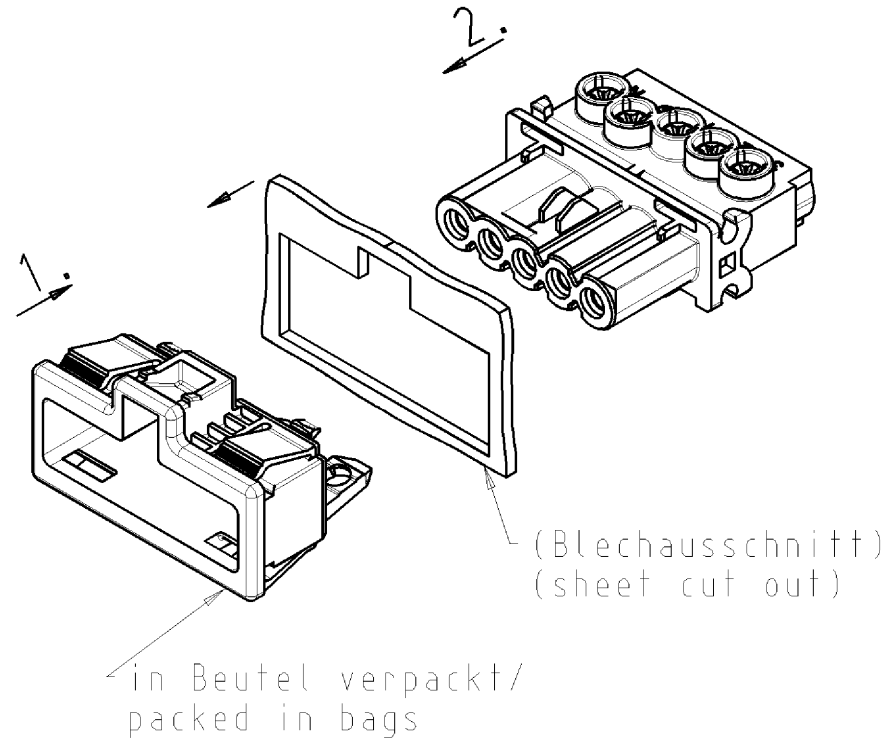
Variante/option: "I"

Montageschritte

1. Snap-In-Rahmen in Blechausschnitt stecken
2. Buchse in Snap-In-Rahmen stecken

steps of assembly

1. fix snap-in frame in plate cut out
2. insert female socket through plate cut out into snap-in frame



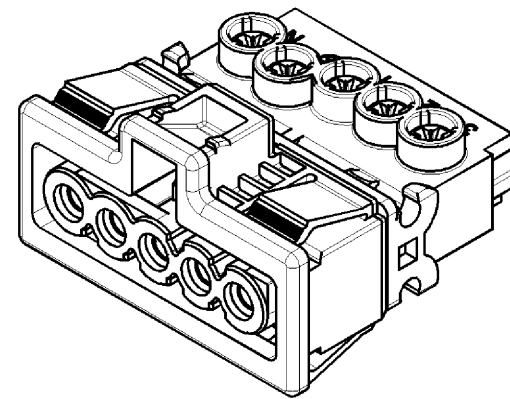
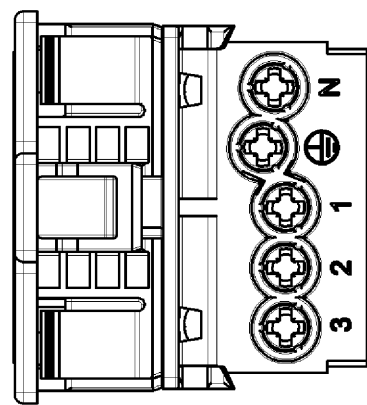
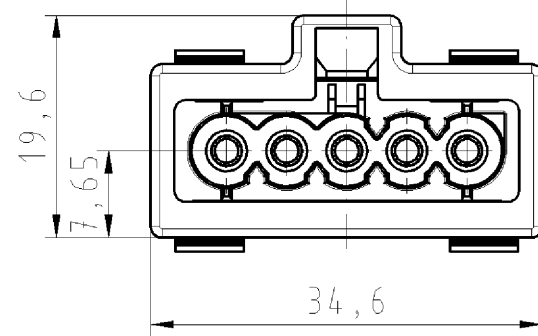
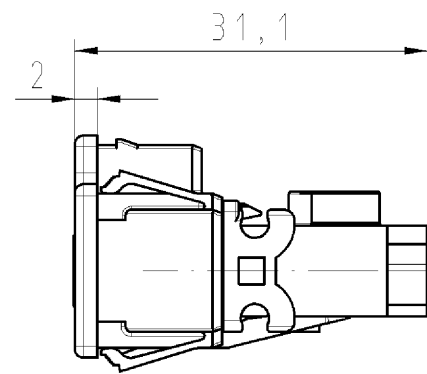
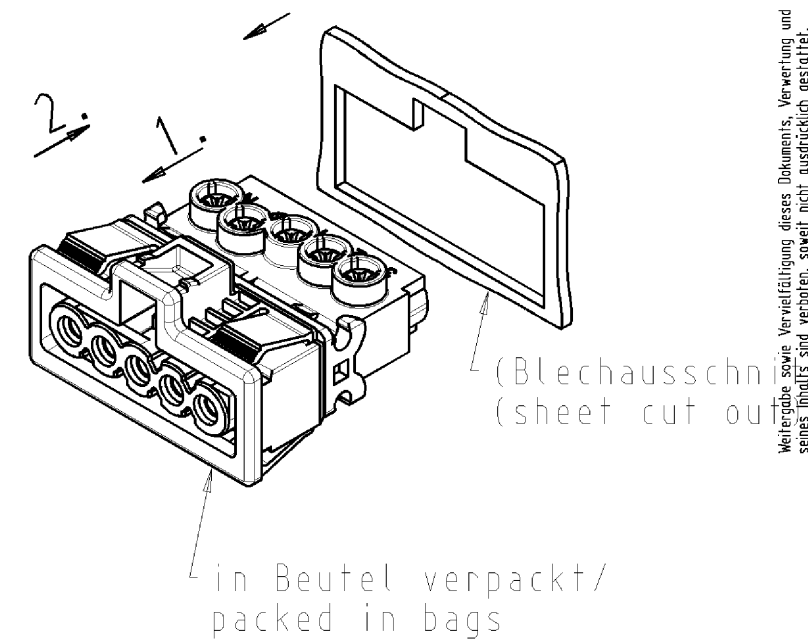
Variante/option: "II"

Montageschritte

1. Buchse in Snap-In-Rahmen stecken
2. Buchse mit Snap-In-Rahmen in Blechausschnitt stecken

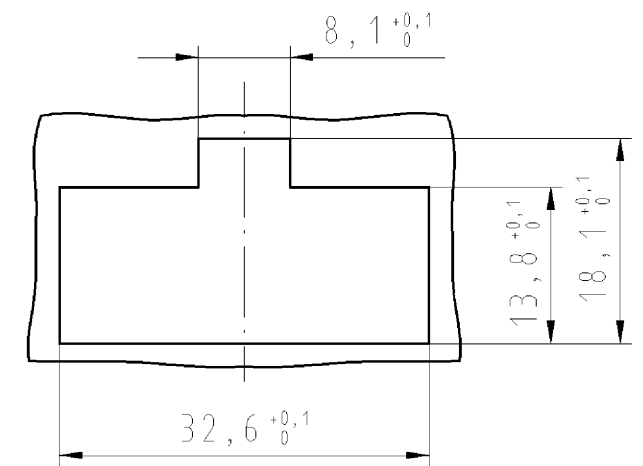
steps of assembly

1. plug snap-in frame with female socket
2. fix parts from step 1 in plate cut out



Blechausschnitt/sheet cutout

t=0,5-1,5



montierter Zustand
assembled state
(kein Auslieferungszustand)
(no delivery status)

Teile-Nr.: part-no.:	Farbe: colour:
91.951.9053.0	weiß / white, ähnl. RAL 9003
91.951.9053.1	schwarz / black, ähnl. RAL 9005

Tolerierung nach DIN 7167/Tolerance system acc. to DIN 7167. (This DIN-standard describes the envelope principle. According to the envelope principle the deviations of form and parallelism are limited by the size tolerances).		ja/yes <input checked="" type="checkbox"/> Stoffverbots- und Deklarationsliste nach UU-TQM-05/03 ist einzuhalten. Conformity with Wieland document UU-TQM-05/03 (list of prohibited / declarable hazardous substances) to be declared!	
Freitoleranz nach General tolerance	CAD - Zeichnung, keine manuellen Änderungen CAD - drawing, no manual modifications allowed	1. Verwendung: First Use:	Blatt: 1 von 1 Sheet: of 1
	Werkstoff/Material	2008 Tag/Date	Name
		gezeichnet drawn	25.02. Schmitt
	Maßstab/Scale	geprüft checked	
	%	Normgepr. Stand. check	
	Vol.	mm ³ Öl./Surf.	mm ³ Ersatz für/Replacement for: -
		Type	
		Benennung/Title	
Index	Datum / Blatt Date / Sheet	BUCHSENT_SNAP_IN	
Änderung/Revision		GST1515SB1 R .. (Netzanschluß / mains connection)	
		Elektrische Verbindungen	

Weitergabe sowie Vervielfältigung dieses Dokuments, Verwertung und Mitteilung seines Inhalts sind verboten, soweit nicht ausdrücklich gestattet. Die Reproduktion, Distribution und Nutzung dieses Dokuments sowie die Kommunikation der Inhalte ist ohne schriftliche Genehmigung der Wieland-Gruppe untersagt.

919519053001K_4_CADW1042_Schmitt 2008-02-25T13:40:08 1.000