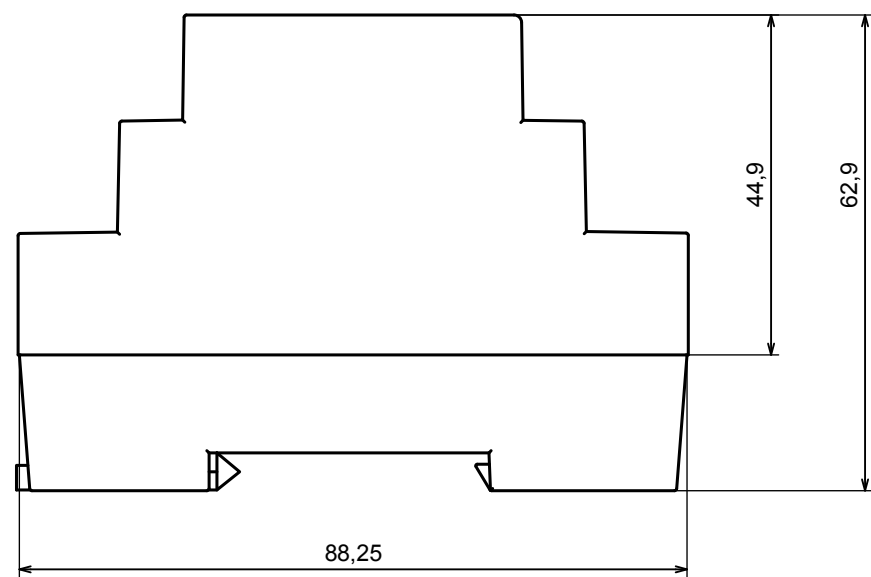
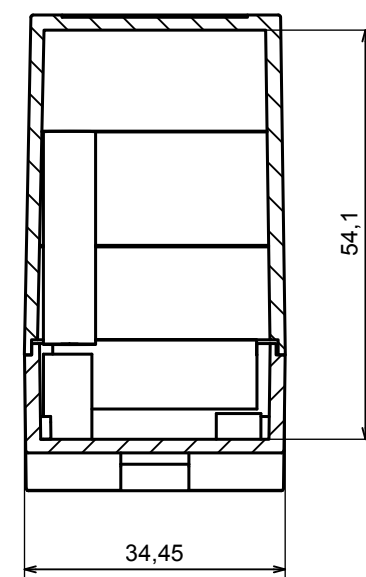


A |



A |

A-A



All rights reserved, Copyright Kradox 2016

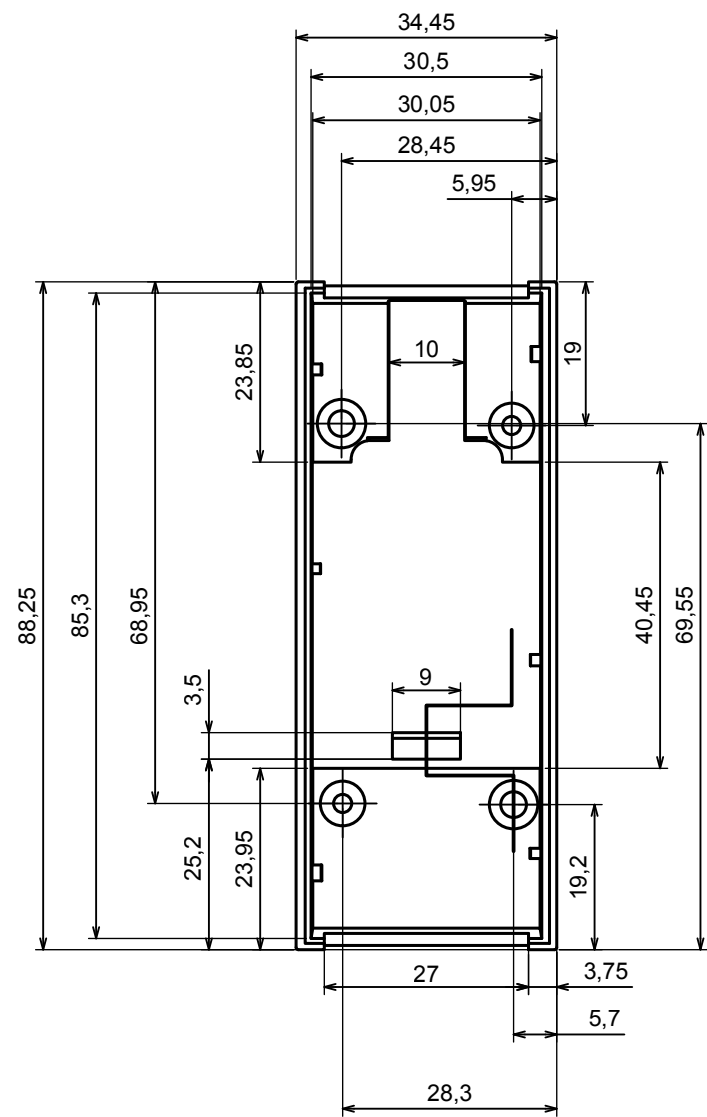
Product model Enclosure Z103 - Assembly

Format: A3 Material: PS, ABS

Scale 1:1 Tolerance: +/- 0.8

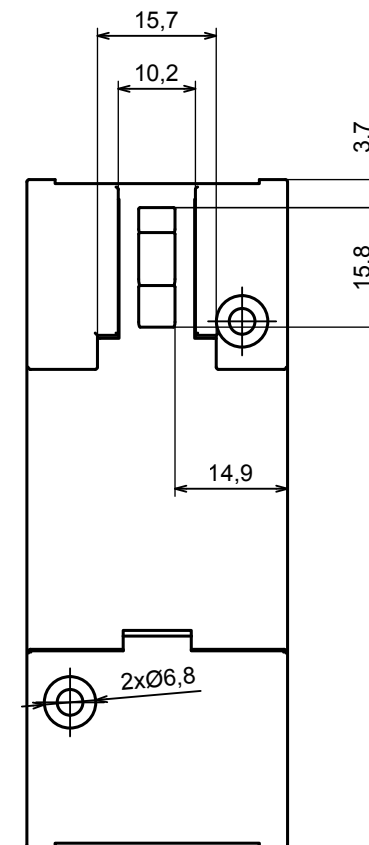
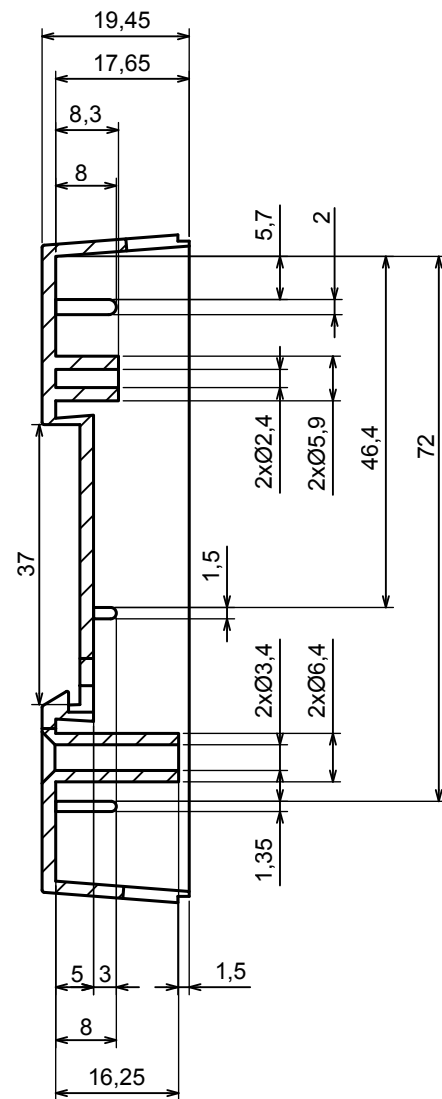


B |



B |

B-B



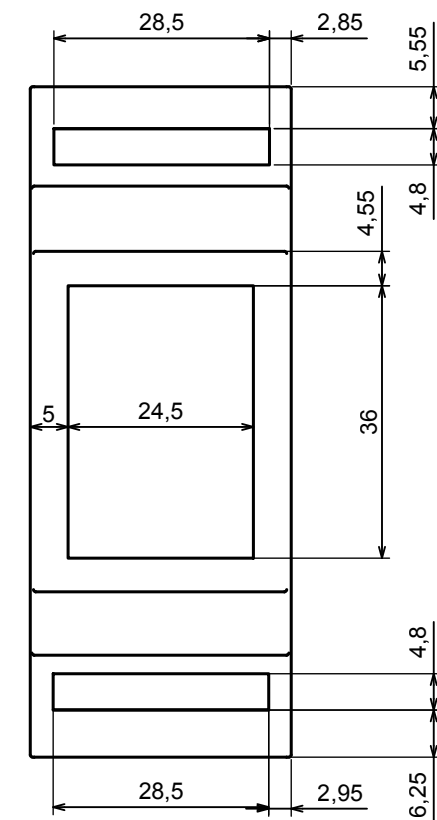
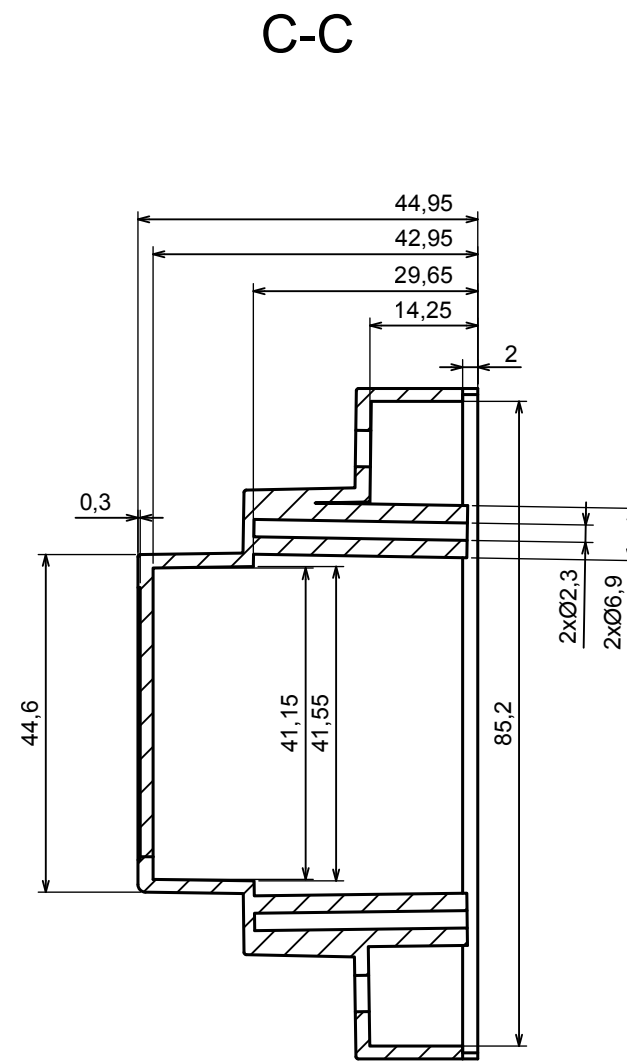
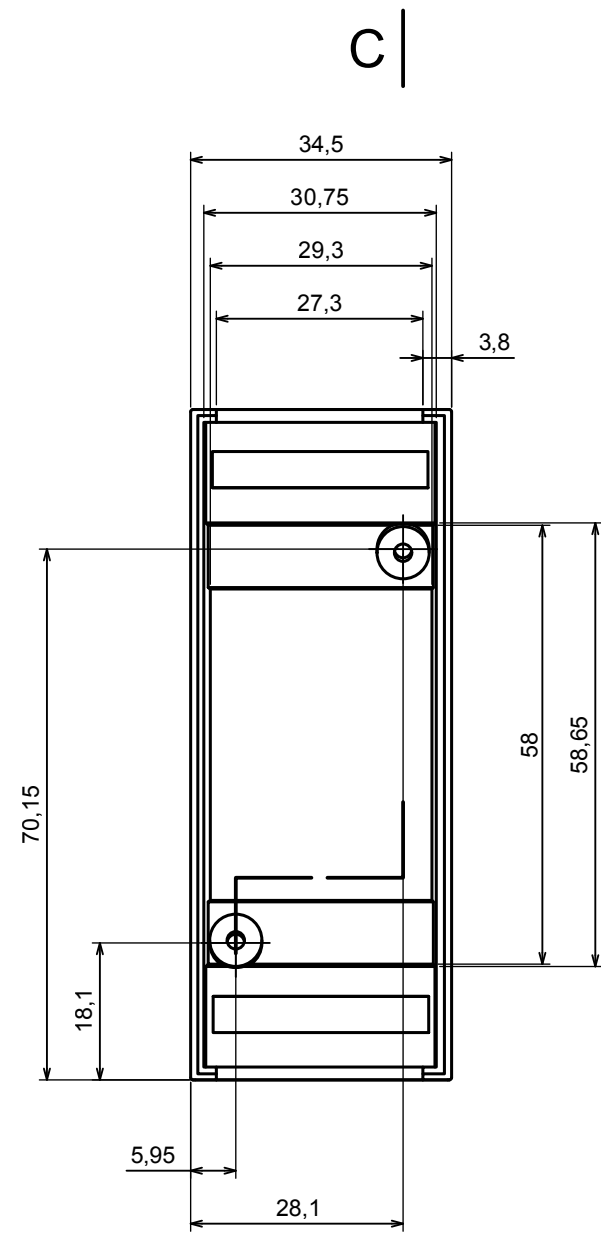
All rights reserved, Copyright Kradex 2016

Product model: Enclosure Z103 - Base

Format: A3 Material: PS, ABS

Scale 1:1 Tolerance: +/- 0.8





c |

All rights reserved, Copyright Kradox 2016

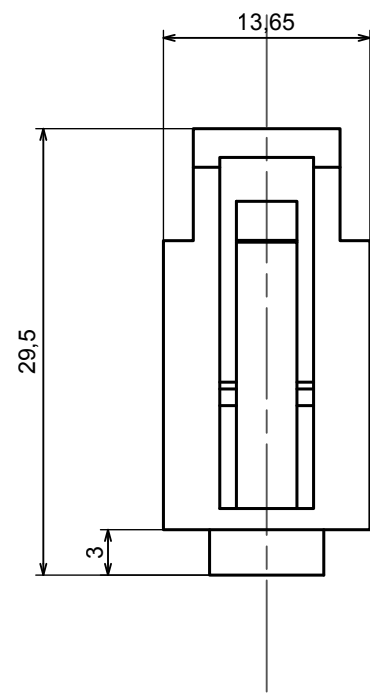
Product model Enclosure Z103 - Cover

Format: A3 Material: PS, ABS

Scale 1:1 Tolerance: +/- 0.8

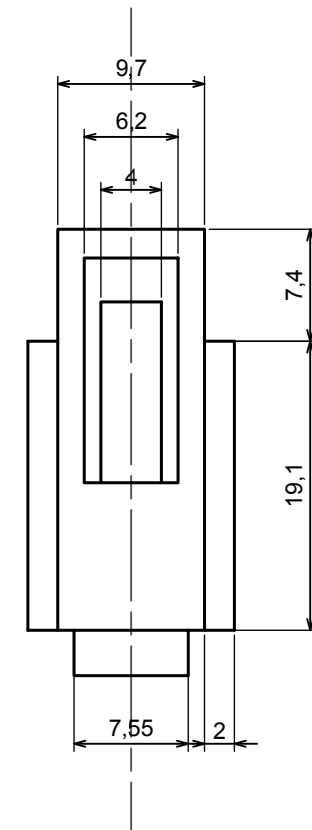
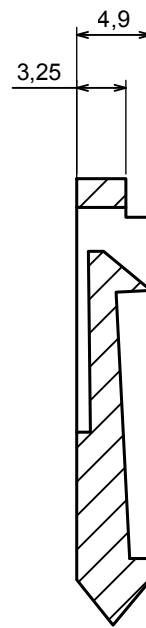


D |



D |

D-D



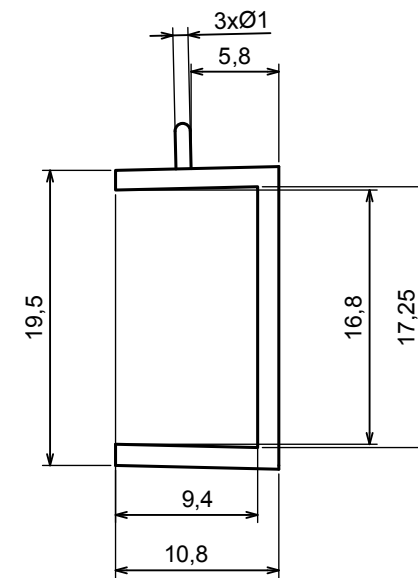
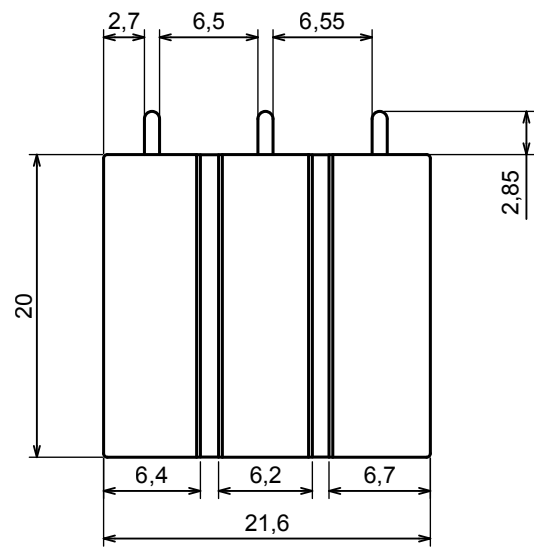
All rights reserved, Copyright Kradex 2016

Product model Enclosure Z103 - Hook

Format: A3 Material: PS, ABS

Scale 2:1 Tolerance: +/- 0.5





All rights reserved, Copyright Kradex 2016

Product model Enclosure Z103 - Filler

Format: A3 Material: PS, ABS

Scale 2:1 Tolerance: +/- 0.5

