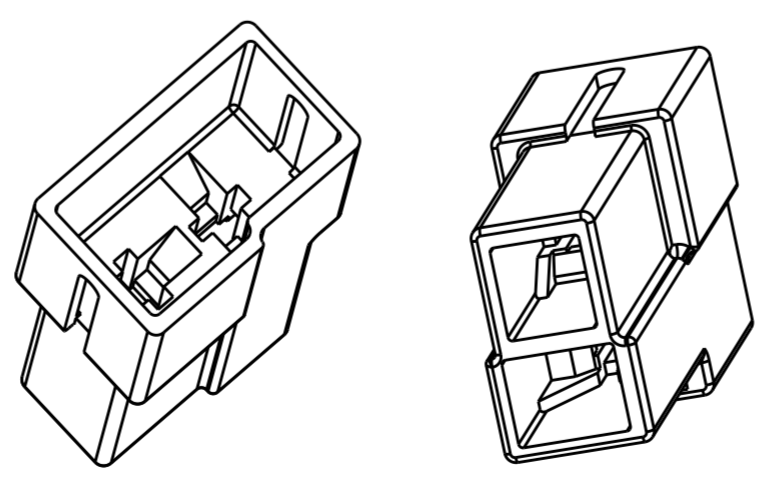
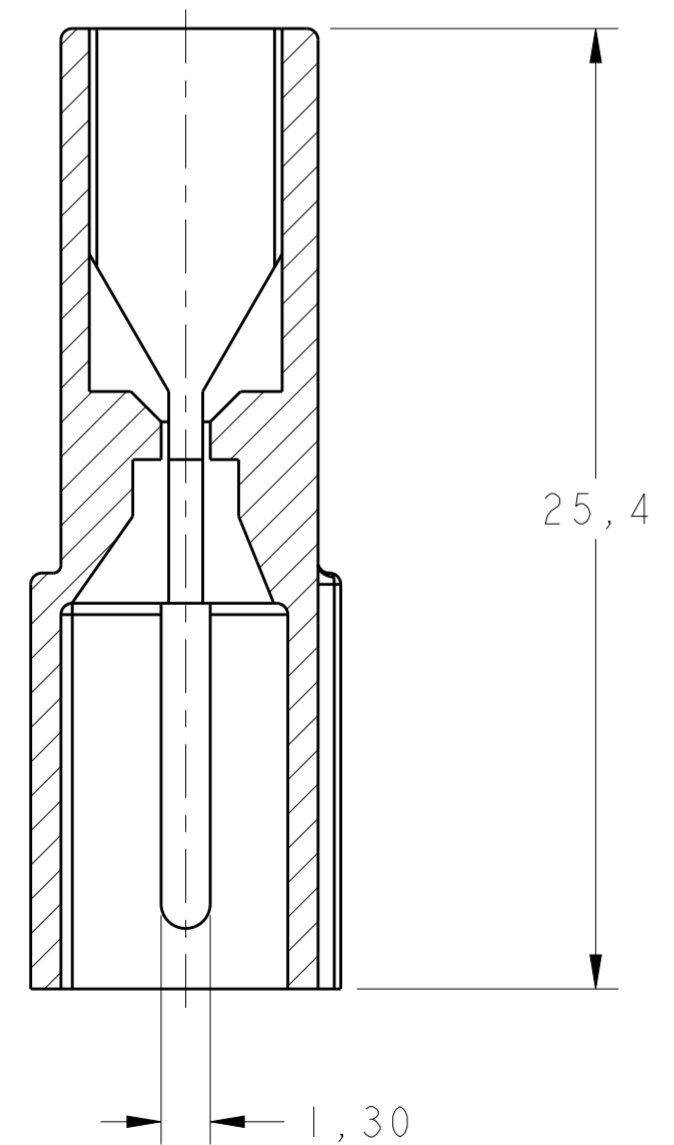
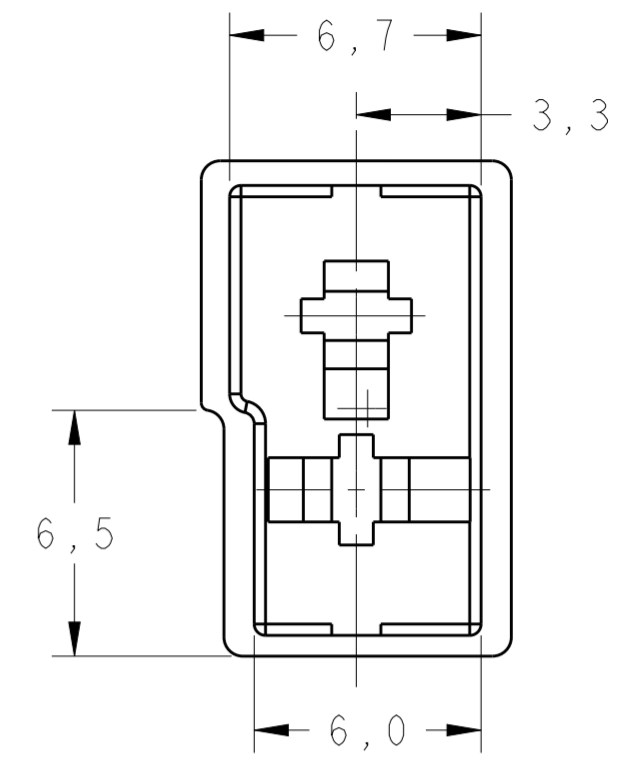
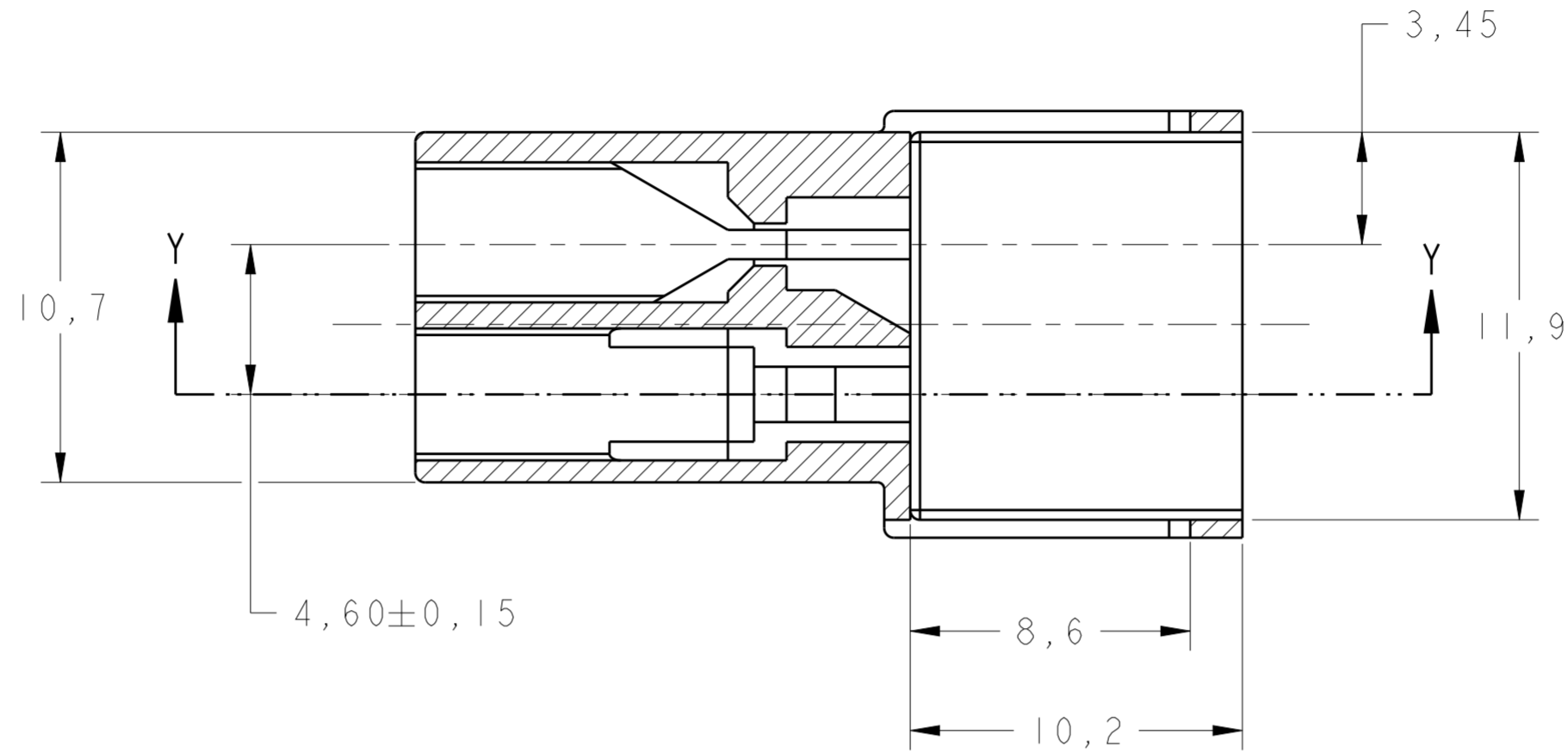
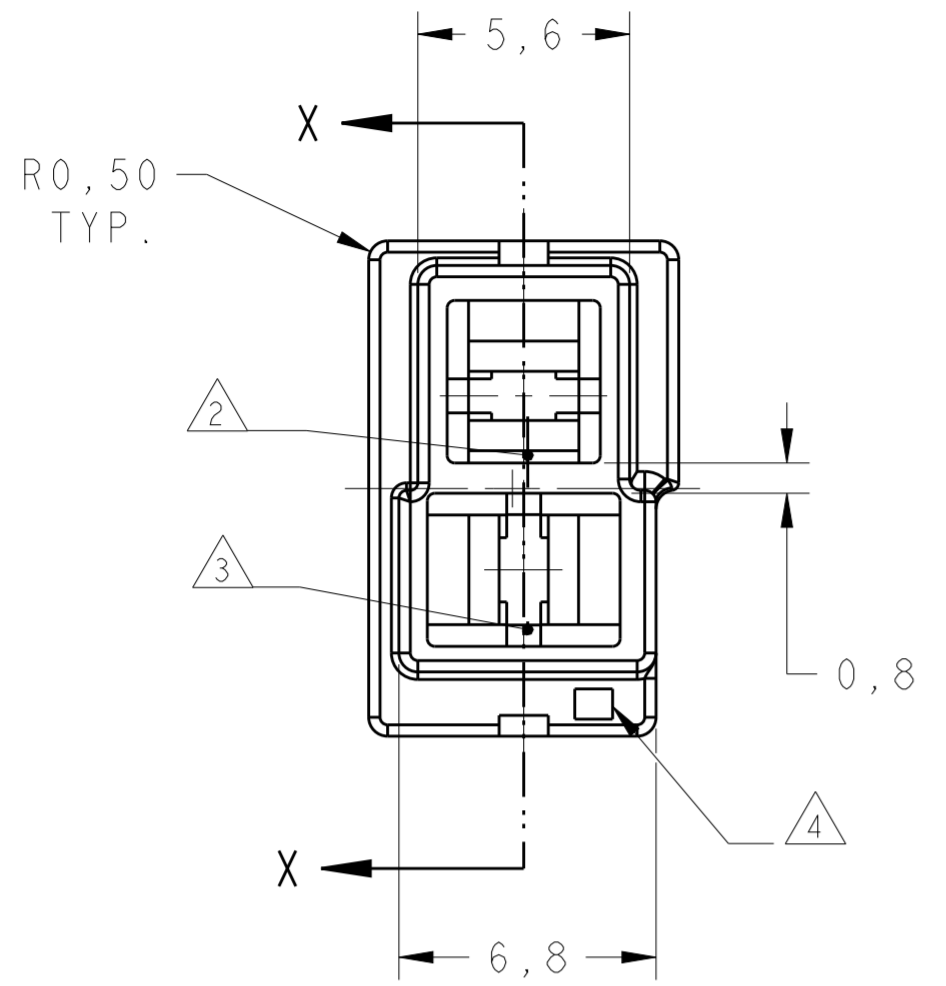


THIS DRAWING IS UNPUBLISHED. RELEASED FOR PUBLICATION 20  
 © COPYRIGHT 20 BY - ALL RIGHTS RESERVED.

**creo**  
 CreoParametri2.0  
**DO NOT REVISE EXCEPT BY CAD**

| REVISIONS |     |                               |           |     |      |
|-----------|-----|-------------------------------|-----------|-----|------|
| P         | LTR | DESCRIPTION                   | DATE      | DWN | APVD |
| M         |     | REVISED DESIGN ECO-14-005638  | 16APR2014 | NCL | GOJ  |
| M1        |     | REVISED DRAWING ECO-14-012763 | 16OCT2014 | NCL | DAO  |
| M2        |     | REV. BY ECO 14-019128         | 09JAN2015 | HC  | WLS  |



- ①- MATERIA PRIMA CONFORME ESPECIF. IEC 60335-1  
 GWT 750° C, SEM CHAMAS.  
 - RAW MATERIAL ACC. TO SPEC 60335-1  
 GWT 750° C, WITHOUT FRAME.
- ②- CIRCUITO 1-SOMENTE PARA REFERENCIA.  
 - CIRCUIT 1- FOR REFERENCE ONLY.
- ③- CIRCUITO 2- SOMENTE PARA REFERENCIA.  
 - CIRCUIT 2- FOR REFERENCE ONLY.
- ④- NÚMERO DA CAVIDADE DO MOLDE.  
 - MOLD CAVITY NUMBER.
- ⑤- OBSOLETE PARTS: OBSOLETE CIS STREAMLINING  
 PER D.RENAUD/D.SINISI

6-WORK BETTER WHEN USED WITH  
 TAB PN-881719 OR PN-880638.

| FINISH  | MATERIAL            | PART NUMBER   |
|---------|---------------------|---------------|
| NATURAL | PA6.6 V-0           | ① 1-626065 -2 |
| NATURAL | PA6.6-ZYTEL 103 HSL | ⑤ 1-626065 -1 |
| NATURAL | PBT V-0             | ⑤ 1-626065 -0 |
| ORANGE  | POLIAMIDA 6.6       | ⑤ 626065 -9   |
| VIOLET  | POLIAMIDA 6.6       | ⑤ 626065 -8   |
| GRAY    | POLIAMIDA 6.6       | ⑤ 626065 -7   |
| BROWN   | POLIAMIDA 6.6       | ⑤ 626065 -6   |
| BLACK   | POLIAMIDA 6.6       | 626065 -5     |
| YELLOW  | POLIAMIDA 6.6       | ⑤ 626065 -4   |
| BLUE    | POLIAMIDA 6.6       | ⑤ 626065 -3   |
| GREEN   | POLIAMIDA 6.6       | ⑤ 626065 -2   |
| RED     | POLIAMIDA 6.6       | ⑤ 626065 -1   |
| NATURAL | POLIAMIDA 6.6       | 626065 -0     |

SECTION Y-Y

PERSPECTIVE VIEW  
 SCALE 3:1

THIS DRAWING IS A CONTROLLED DOCUMENT.

|                       |  |  |   |
|-----------------------|--|--|---|
| DIMENSIONS:<br>mm     | TOLERANCES UNLESS OTHERWISE SPECIFIED:<br>0 PLC ±0,2<br>1 PLC ±0,3<br>2 PLC ±<br>3 PLC ±<br>4 PLC ±<br>ANGLES ±30'<br>FINISH | DWN NCLAPRESA 18FEB2011<br>CHK JRGOLDSCHIMDT 18FEB2011<br>APVD MBGODOY 18FEB2011 | TE Connectivity<br>NAME -<br>HOUSING 2 POSN., FASTIN-ON<br>.110 TAB |
| MATERIAL<br>SEE TABLE |  | PRODUCT SPEC -<br>APPLICATION SPEC -<br>WEIGHT -<br>Customer Drawing             |   |
|                       |  | SIZE A2<br>CAGE CODE 00779<br>DRAWING NO C-626065                                | RESTRICTED TO -   |
|                       |  | SCALE 5:1  | SHEET 1 OF 1 REV M2   |