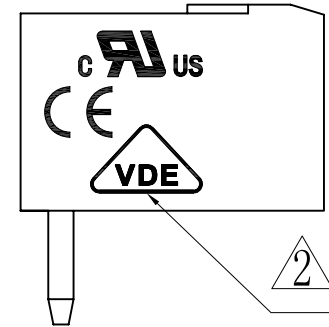
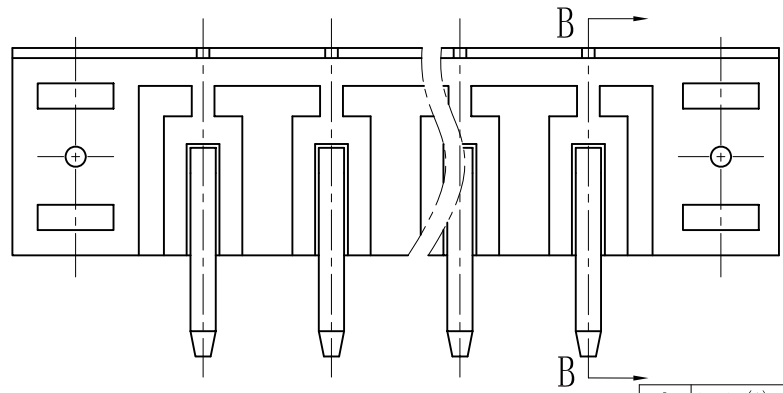
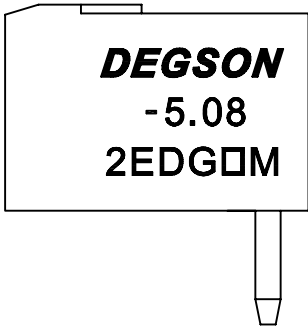
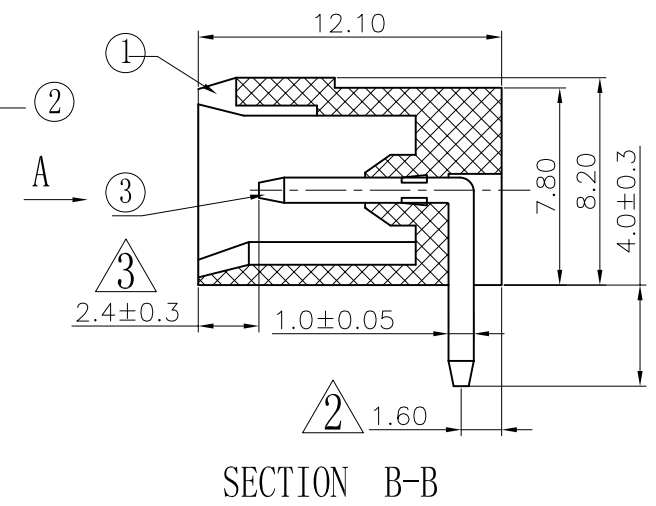
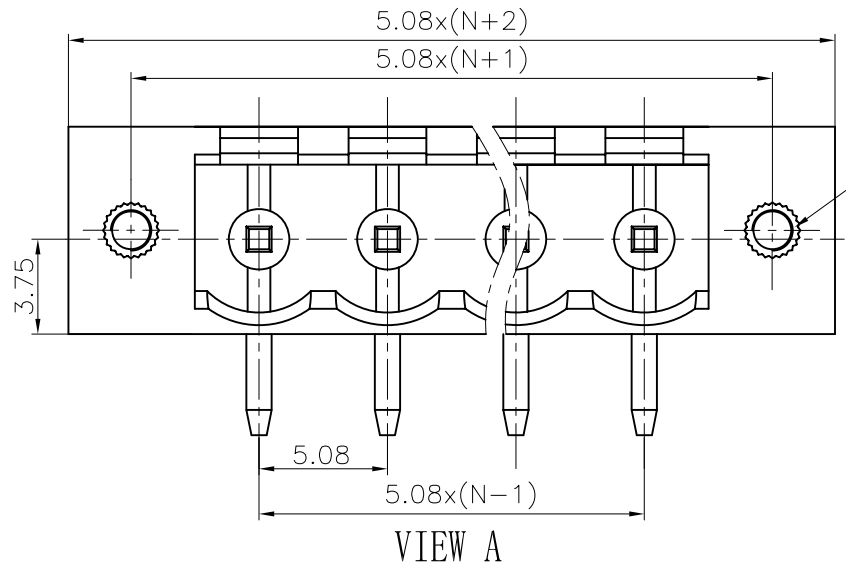


| REVISION RECORD | | | | |
|-----------------|---------|---------------|------|-----------|
| REV | ECO | DESCRIPTION | DRFT | DATE |
| △ | | Drawing emend | csx | 04/04/06* |
| △ | | 更新图面 | LJH | 04/16/08* |
| △ | 10-0329 | 增加标注尺寸 | COCO | 10/07/10* |



- Notes:
- Pitch: 5.08mm , Poles: 2-22P
 - Rated voltage/current: UL 300V/15A
VDE 320V/20A
 - Operation temperatures: -40°C ~ +105°C
 - Withstanding Voltage: AC2000V/1min
 - Insulation Resistance: 5000MΩ / DC1000V
 - Undimensioned Tolerances:

| Pitch range in mm | | Nominal dimension range in mm | | | | | | |
|-------------------|-------|-------------------------------|---------|---------|---------|----------|----------|---|
| | | over 6 | over 10 | over 30 | over 60 | over 100 | over 150 | — |
| to 6 | to 10 | to 24 | to 30 | to 60 | to 100 | to 150 | | ∩ |
| ±0.10 | ±0.15 | ±0.25 | ±0.2 | ±0.3 | ±0.5 | ±0.7 | ±1.0 | ∇ |

| ITEM | NAME OF PART | NO. OF PART | Q'TY | MATERIAL | NOTES |
|------|-----------------------------------|----------------|------|----------|-----------|
| 3 | 2EDGR (A) Pin header (1*8.25*8.7) | 1008B00040 (H) | XX | Brass | SnCe |
| 2 | 2EDGK Screw Cap | S000000040 (H) | 2 | Brass | |
| 1 | 2EDGRM-5.08-Housing | 1012A0YXXA (H) | 1 | PA66 | UL94V-0 B |

| | | | | | |
|--------------------------|----------------------------|---------------------------|----------------|---|------|
| DETACHED LISTS | MM (INCH) | DFTO HW | DATE 10/17/05* | 宁波高正电子有限公司 DEGSON ELECTRONICS CO., LTD | |
| | TOLERANCES EXCEPT AS NOTED | CHKD | DATE | | |
| | | MFO | DATE | | |
| | | APPVL | DATE | | |
| | NAME | 2EDGRM-5.08-XXP-1Y-00A(H) | | | |
| | MATERIAL : | G.E : | | DRAWING NO. 2EDGRM-5.08-E03 | |
| | ANGLES ± 1° | FINISH : | | SIZE A3 | |
| | THIRD ANGLE PROJECTION | SCALE : | | REV T3 10/07/10* | |
| DO NOT SCALE DRAWING 1:1 | | | | SHEET 1 | OF 1 |