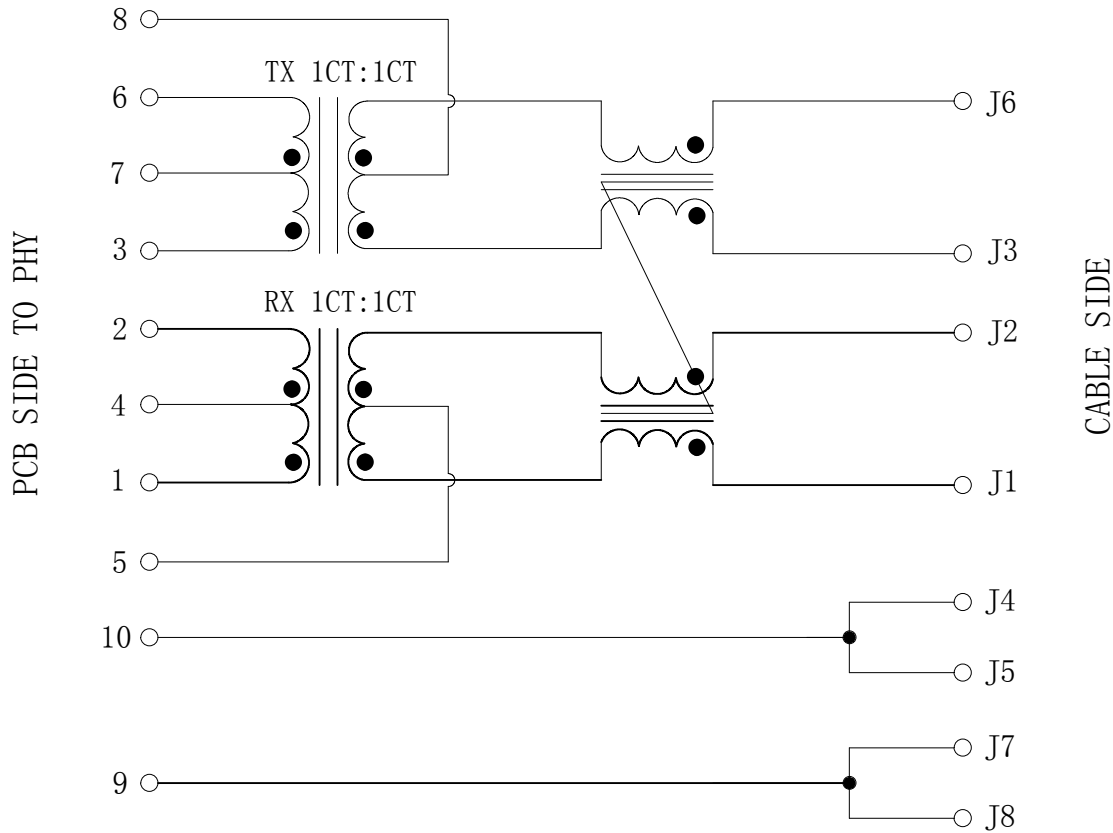


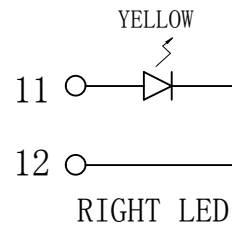
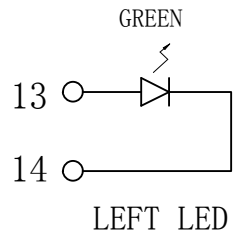
Schematic:

REV.	ECN NO.	DESCRIPTION	DATE	APPD
A	REL		08/11/2008	



Electrical Specifications @25°C

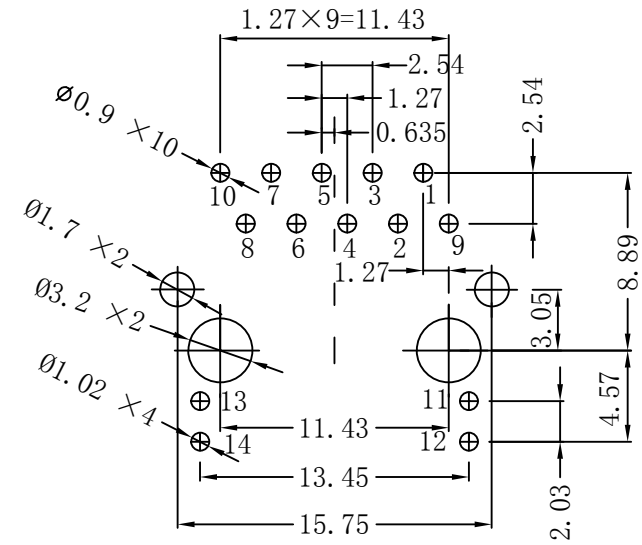
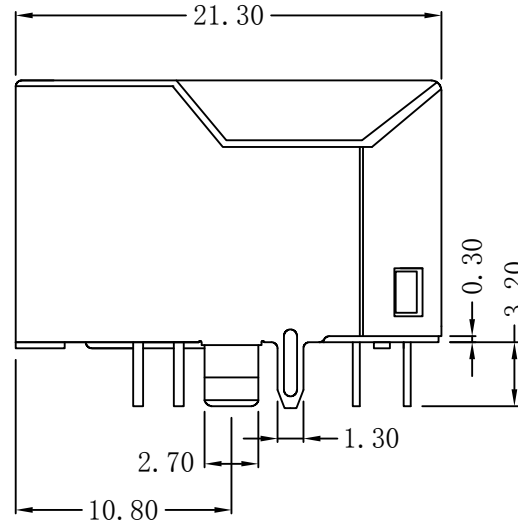
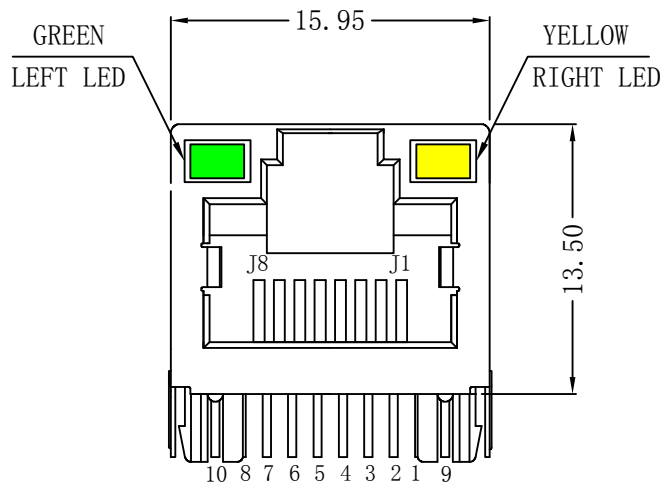
- Turns Ratio ($\pm 2\%$):
TX=1CT : 1CT RX=1CT : 1CT
- Inductance OCL: 350uH Min
@100KHz, 100mV, 8mA DC bias current
- Insertion Loss:
0.3-65MHz: -1.2dB Max
- Return Loss:
1-30MHz: -18dB Min
40MHz: -16dB Min
50MHz: -14dB Min
60-80MHz: -12dB Min
- Crosstalk:
0.3-80MHz: -30dB Min
- Isolation Voltage: 1500Vrms
- Operating Temperature: 0°C ~ 70°C



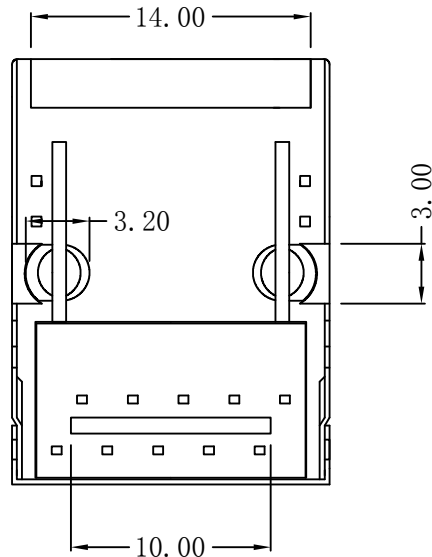
X:X	± 0.20	APPD:	LINK-PP INT'L TECHNOLOGY CO., LIMITED
X:XX	± 0.10	CHKD:	
X:XXX	± 0.05	DR: TOM	TITLE.: RJ45 POE Jack 1x10/100 Base-TX Magnetic TAB-UP
ANGLES	$\pm 1^\circ$	UNIT: mm	PART NO.: LPJ16204BENL
	SCALE: 2/1	SHEET: 1/2	REV: A DWG NO: LP08111229

Mechanical :

REV.	ECN NO.	DESCRIPTION	DATE	APPD
A	REL		10/11/2008	



SUGGESTED PCB LAYOUT(TOP VIEW)



NOTES:

1. Designed to support application, such as SOHO (ADSL modems), LAN-on-Motherboard (LOM), hub and Switches.
2. Meets IEEE 802.3af specification
3. Connector Materials:
 Housing: Thermoplastic UL94V-0
 Contact/Shield: Copper alloy
 Shield plating: Nickel
 Contact plating: Gold 6 micro-inches min. In contact area.
4. Wave solder tip temperature: 265°C Max
 Wave solder tip temperature time: 5 Sec Max



X:X	± 0.20	APPD:	LINK-PP INT'L TECHNOLOGY CO., LIMITED
X:XX	± 0.10	CHKD:	
X:XXX	± 0.05	DR: TOM	TITLE.: RJ45 POE Jack 1x10/100 Base-TX Magnetic TAB-UP
ANGLES	± 1°	UNIT: mm	PART NO.: LPJ16204BENL
	SCALE: 2/1	SHEET: 2/2	REV: A DWG NO: LP08111229

Sales Department A-B2

Sales Engineer / Summer Ming - 明夏

Tel: 0086-752-3322915 Mob: 0086-180-2668-6530

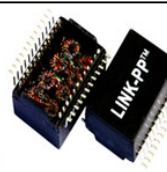
Fax: 0086-752-3161926

E-mail: Summer@link-pp.com

www.link-pp.com

LINK- PP INT'L TECHNOLOGY CO., LIMITED

Jia An Industrial Park, Chenjiang Rd, Zhongkai Hightech Zone, Huizhou City,
516003, China



LINK- PP INT'L TECHNOLOGY CO., LIMITED

Seris : LPJXXXXXXXX/ LPXXXXXXXX/ LPAXXXXXXX