

**I.D.C Socket Series**

**KLS1-204B I.D.C SOCKET 2.00mm (0.079")**

**Electrical Characteristics:**

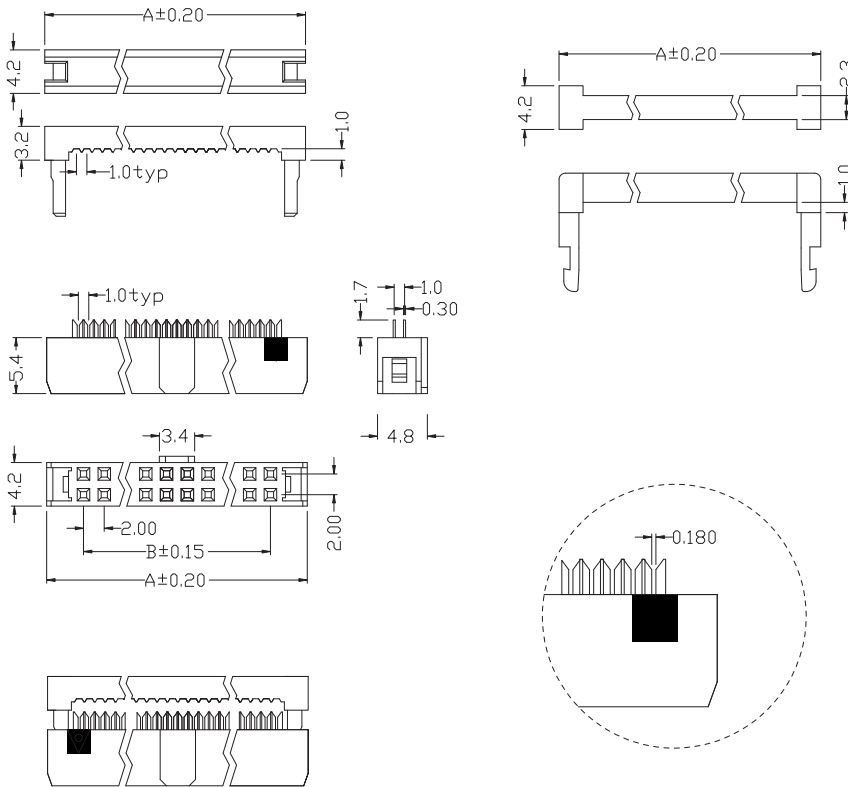
Current Rating: 1 AMP  
 Insulator Resistance: 5000M Ohm min. at DC 500V  
 Contact Resistance: 20m Ohm max. at DC 100mA  
 Operating Temperature: -45°C~+105°C

**Material:**

Housing: 30% Glass filled PBT UL94V-0  
 Contacts: Brass or Phosphor Bronze  
 Plating: Selective gold plated: gold plated on mating area and Nickel plated on wire cutting area  
 Gold plated: 3u" over 50u" nickel  
 Cable: 1.00mm (0.039") pitch flat cable

**Features:**

- \* Optional polarizing key, polarizing bump.
- \* Optional strain relief.



Position	Dimension	
	A	B
10	15.10	8.00
14	19.10	12.00
16	21.10	14.00
18	23.10	16.00
20	25.10	18.00
22	27.10	20.00
24	29.10	22.00
26	31.10	24.00
30	35.10	28.00
34	39.10	32.00
40	45.10	38.00
44	49.10	42.00
50	55.10	48.00

**ORDER INFORMATION**

Product NO.: **KLS1-204B-XX-B**

Pos. NO. \_\_\_\_\_ Insulator Color : B=Black G=Gray L=Blue  
 I.D.C SOCKET 2.0mm Series \_\_\_\_\_ Number of Contacts : XX=08-64Pin

All specification & dimensions are subject to change, please call your nearest KLS sales representative for update information