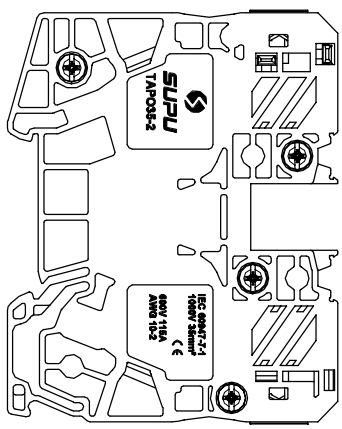
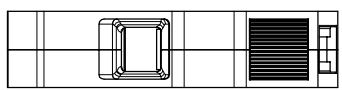
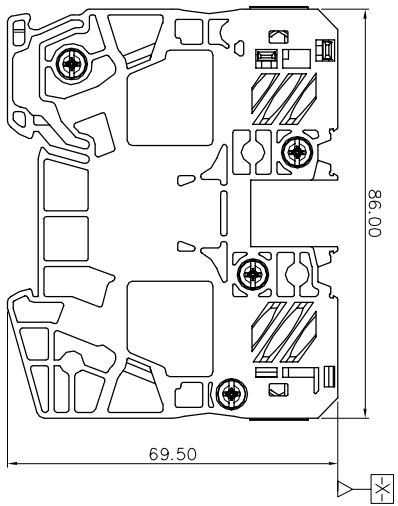
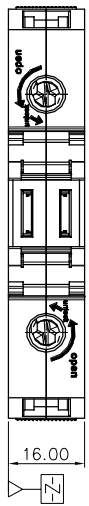


REVISION RECORD			
REV	ECN	DESCRIPTION	DATE



Connection method:  
 1. For Solid wire, peel wire in right length, fix in by rated torque force.  
 2. For flexible wire, connect directly after peeling in right length, or furruled on wire and fix in by rated torque force.  
 Attention: Torque force should be equable. No explosive power.

Transmittal, reproduction, dissemination and/or editing of this document as well as utilization of its contents and communication thereof to others without express authorization are prohibited.

未经允许禁止传输、复制、编辑该文档，以及利用其内容进行交流



NOTES:  
 UL/CUL Standard  
 1. Conductor cross section : 8~2AWG  
 2. Rated Voltage/Current :

Use group	B	C	D
Rated voltage(V)	600	600	
Rated current(A)	115	115	

IEC Standard  
 1. Conductor cross section :

Wire range(Solid/Stranded)	6-35mm <sup>2</sup>	6-35mm <sup>2</sup>	6-35mm <sup>2</sup>
Solid	6-35mm <sup>2</sup>	6-35mm <sup>2</sup>	6-35mm <sup>2</sup>
Stranded	6-35mm <sup>2</sup>	6-35mm <sup>2</sup>	6-35mm <sup>2</sup>
Stranded with ferrules without plastic sleeve	6-35mm <sup>2</sup>	6-35mm <sup>2</sup>	6-35mm <sup>2</sup>
Stranded with ferrules with plastic sleeve	6-35mm <sup>2</sup>	6-35mm <sup>2</sup>	6-35mm <sup>2</sup>

2. Rated Voltage/Current :

Surge voltage category	III
Pollution degree	3
Rated surge voltage(kV)	8
Rated voltage(V)	1000
Rated current(A)	125

Material:

Insulator	PA66	UL94 V-0
Conductor	Copper alloy	Sn plated
Spring	Stainless steel	

General information:  
 1. Dimension shall be interpreted per ASME Y14.5-2009  
 2. Stripping length : 25mm  
 3. Operating temperature: -40°C~+105°C  
 4. RoHS Compliance  
 5. Undimensioned Tolerances:

Pitch Range in mm	Nominal Dimension	Range in mm	Tolerance
Over 6	Over 30	Over 60	Over 100
To 10	To 40	To 80	To 150
Over 10	Over 24	Over 30	Over 60
To 15	To 30	To 40	To 80
Over 15	Over 30	Over 40	Over 50
To 20	To 40	To 50	To 70
Over 20	Over 30	Over 40	Over 50
To 25	To 40	To 50	To 70
Over 25	Over 30	Over 40	Over 50
To 30	To 40	To 50	To 70
Over 30	Over 40	Over 50	Over 70
To 35	To 40	To 50	To 70
Over 35	Over 40	Over 50	Over 70
To 40	To 50	To 70	To 100
Over 40	Over 50	Over 70	Over 100
To 45	To 50	To 70	To 100
Over 45	Over 50	Over 70	Over 100
To 50	To 70	To 100	To 130
Over 50	Over 70	Over 100	Over 130

HOW TO ORDER:

TAP035-2-XX  
 Series No.      Color:  
 GY: Grey

订货号 Order No.	TAP035-2-XX	名称 Name	TAP035封装 接线端子02P-35mm <sup>2</sup>	未注公差 Tolerance	表面 Surface
项目 Item	签字 Signature	图号 Drawing No.	PRM002854	版本号 Revision Number	VDI21
设计 Design	cjs	材料 Material	Notes	MI	重量 Weight
审核 Check	df	工艺 Check		第1页/共1页 1 of 1	比例 Scale
工艺 Process	-	标准化 Unity			1:1
批准 Approve	1w1	物料号 Item No.			mm
批准 Approve	11/20/21"				
	11/20/21"				

NINGBO SIPU ELECTRONICS CO.,LTD.