

Data sheet

Commercial Art.No.: 97.052.5553.1

Device connector RST50i5 S1 ZM02V SW

RST50i5 device connector, 5 pole, male, screw connection, application 250V/400V, 50A, for opening diameter M32 or M40 with adaptor ring, with position fixation, coding color black



Commercial Art.No.	97.052.5553.1
EAN	4049088070587
Order Unit	1

Certificates / Approvals



Technical data

General

Rated current	50 A
Rated voltage	250 V / 400 V
Pollution degree	3
Rated impulse voltage	4 kV
Lockable	yes
Color of coding/ contact carrier	black
Marking of poles	1, 2, 3, N, PE
Color of separate adapter (if present)	black

Connection Data

Connection cross section solid mm ² max.	16 mm ²
Connection cross section solid mm ² min.	4 mm ²
Connection cross section solid AWG min.	16 AWG
Connection cross section fine stranded mm ² max.	16 mm ²
Connection cross section fine stranded mm ² min.	4 mm ²
Connection cross section fine stranded AWG min.	16 AWG
Terminations per pole	1
Wire strip length	10 mm
Connection cross section stranded mm ² min.	4 mm ²
Connection cross section stranded mm ² max.	16 mm ²

Model

Model	male
-------	------

Connection type	screw connection
Connecting thread metric	M32
Angle of plug	straight
Degree of protection (IP)	IP66/67/69
Thickness of housings (electrical device) 2	2 mm
Thickness of housings (electrical device)	7 mm

Material

Housing material	Polyamide
halogen free	yes
Contact material	CuZn
Fire load	0.396 kWh
Insulation components continuous temperature	80 °C
Surface finish	Silver-plated

Dimensions

Length	56.7 mm
Width	65 mm
Height	65 mm

Classification

ECLASS 11	
ECLASS 8.1	27440602
ETIM 7.0	EC002566
ETIM 6.0	EC002566
ETIM 5.0	EC002566
ETIM 4.0	EC002566

Note

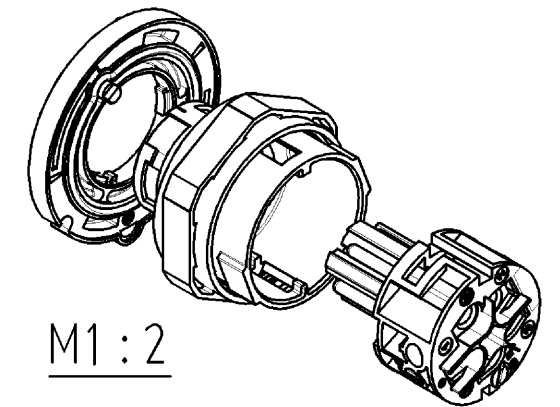
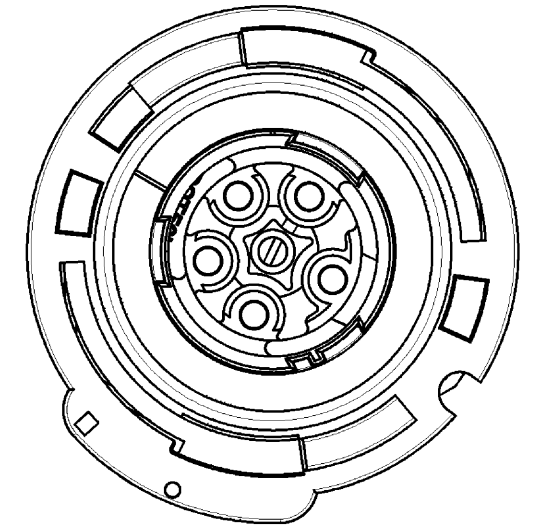
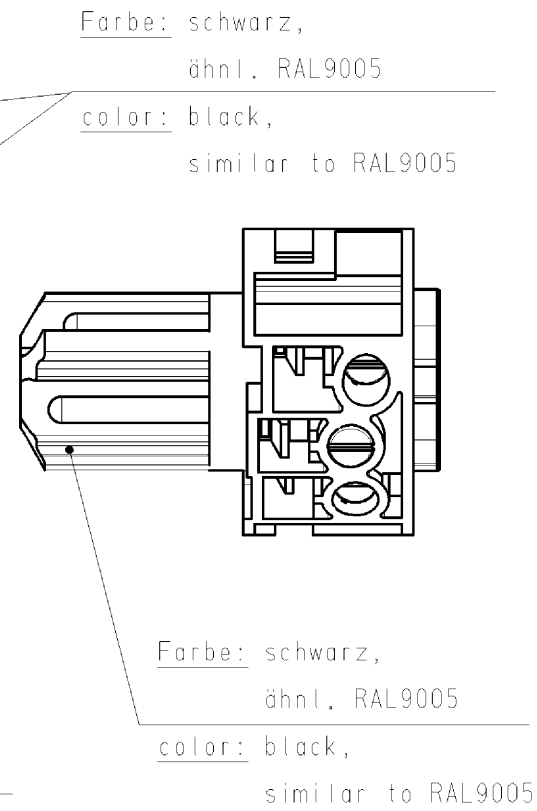
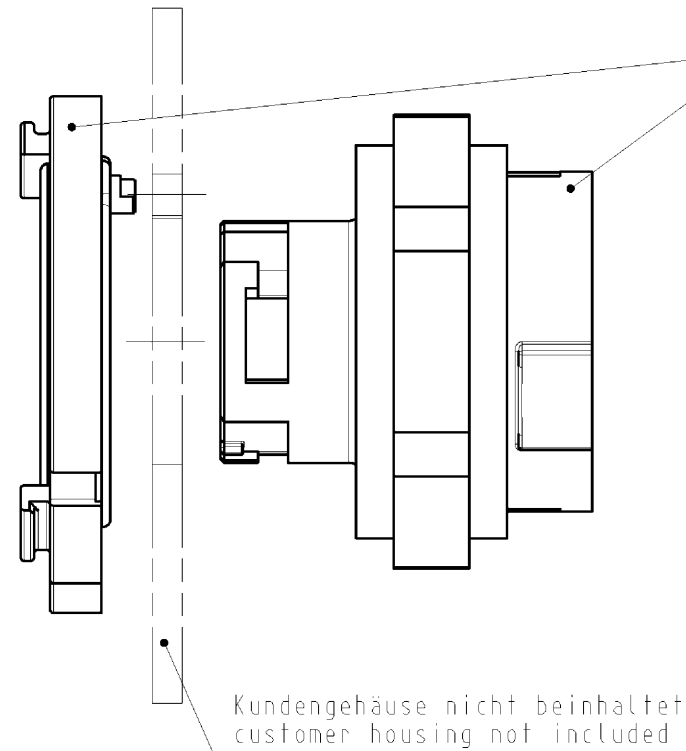
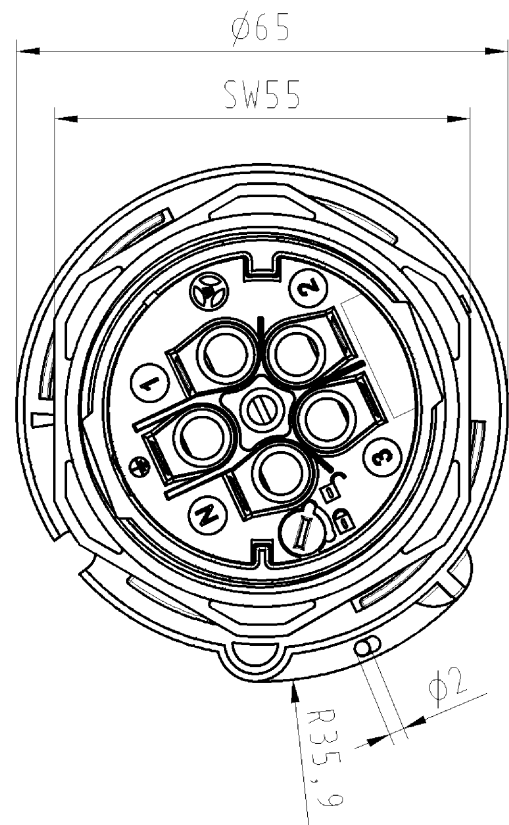
Note	fine-stranded and stranded wires have to be used without ferrules
------	---

Product compliance

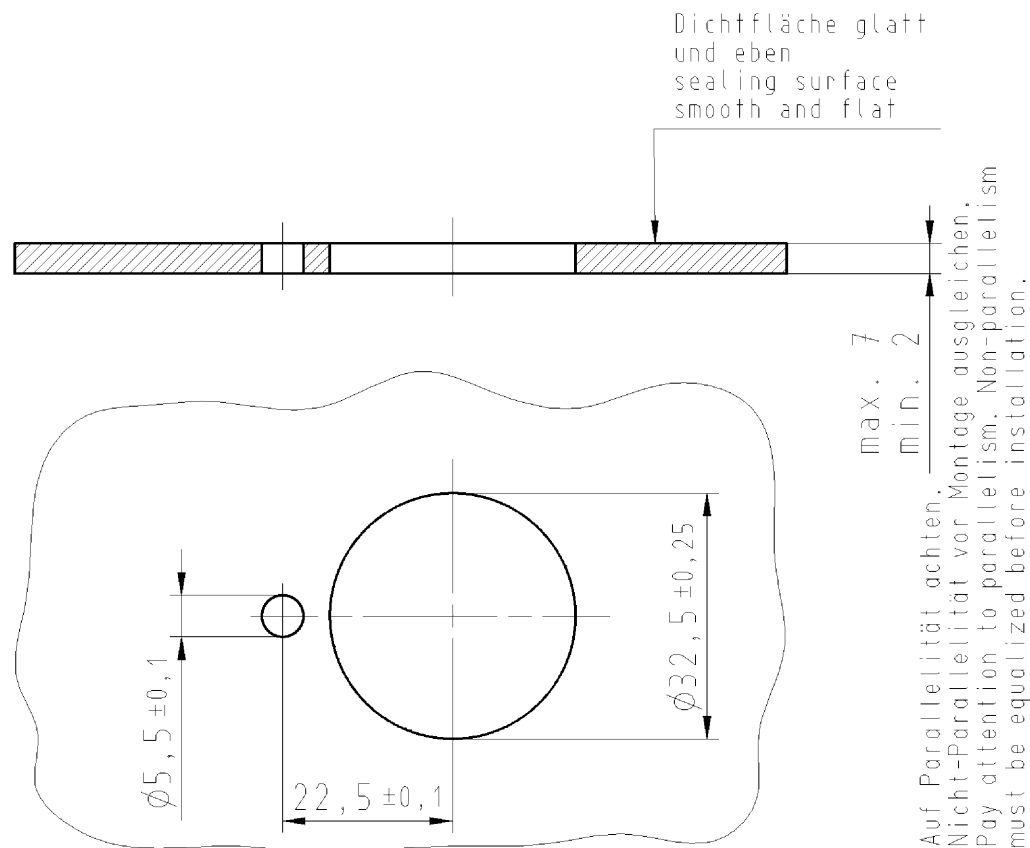
ROHS conformity status	Compliant/Exempted
ROHS exceptions	III-6(c)
REACH-SVHC conformity status	Duty-To-Declare
REACH-SVHC substances	Lead
REACH-SVHC CAS numbers	7439-92-1

Fits with

Commercial Art.No.:	Article-type description:	Description:
97.051.4053.1	Connector RST50I5S B1 ZR5 S SW	RST50i5 connector, 5 pole, female, screw connection, application 250/400V with PE, 50A, for cable diameters 15-25mm, coding color black, color of housing black
97.051.4253.1	Connector RST50I5S B1 ZR7 S SW	RST50i5 connector, 5 pole, female, screw connection, application 250/400V with PE, 50A, for cable diameters 20-32mm, coding color black, color of housing black



Gehäuseausschnitt
cutout



50 A/250 V/400 V/4 kV/2
IP66/67

Anschlussart: Schraub

Anschlussquerschnitt: (ein-/ mehr-/ feindrähtig): 4*-16 mm²

connection type: screw

cross section: (solid/ stranded/ flexible): 4*-16 mm²

* Leiter 4 mm² flexibel nur in Verbindung mit Aderendhülsen.
Conductor flexible 4 mm² only by using of end sleeves.

Type: RST50i5S S1 ZM02V SW

Verpackungseinheit: je 20 Stück
packaging unit: per 20

Tolerierung nach DIN 7167/Tolerance system acc. to DIN 7167. (This DIN-standard describes the envelope principle. According to the envelope principle the deviations of form and parallelism are limited by the size tolerances).				ja/yes <input checked="" type="checkbox"/> Stoffverbots- und Deklarationsliste nach UU-TOM-05/03 ist einzuhalten. Conformity with Wieland document UU-TOM-05/03 (list of prohibited / declarable hazardous substances) to be declared!			
Freitoleranz nach General tolerance		CAD - Zeichnung, keine manuellen Änderungen CAD - drawing, no manual modifications allowed		1. Verwendung: First Use:		Blatt: 1 von 1 Sheet: of 1	
/		Werkstoff/Material		2011 Tag/Date		Name	
/		Maßstab/Scale		gezeichnet drawn		Zeichnung Nr./Drawing No.	
/		1:1		03.05.		Brotkorb	
/		Vol. mm ³ Ofl./Surf. mm ²		geprüft checked		Index	
/		wieland		Normgepr. Stand. check		97.052.5553.1 01K	
/		Ersatz für/Replacement for: -		Maße in mm/Dimensions are in mm			
/		Type		Benennung/Titel			
/		wieland		GERAETEANSCHLUSS_ST_KOMPLETT			
Index Datum / Blatt Date / Sheet		Änderung/Revision		Elektrische Verbindungen			

Weitergabe sowie Vervielfältigung dieses Dokuments, Verwertung und Mitteilung seines Inhalts sind verboten, soweit nicht ausdrücklich gestattet. Die Reproduktion, Distribution und Nutzung dieses Dokuments, sowie die Kommunikation der Inhalte mit Dritten ohne schriftliche Genehmigung ist untersagt.

Auf Parallelität achten.
Nicht-Parallelität vor Montage ausgleichen.
Pay attention to parallelism, Non-parallelism must be equalized before installation.