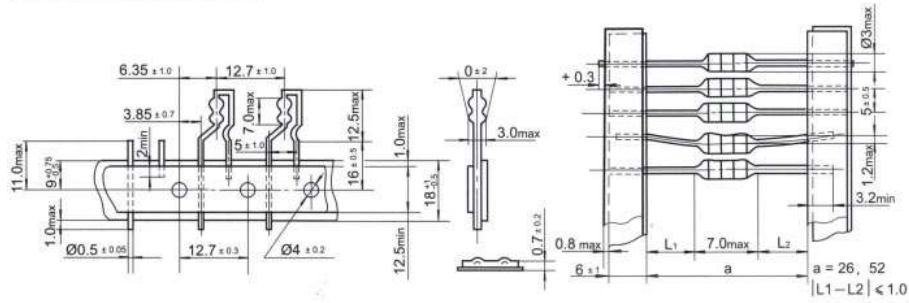


## Dimensions 外形尺寸



## Electrical properties 电气性能

Part NO. 型号	L ( $\mu$ H)	TOL 允差	Q (min)	fr(MHz) 测试频率	SRF(MHz) 自谐频率	Rdc( $\Omega$ )max 直流电阻	I <sub>dc</sub> (mA) 额定电流
LGA0307 — R22	0.22	± 20% (M)	35	25.2	150	0.40	400
LGA0307 — R27	0.27				150	0.43	380
LGA0307 — R33	0.33				150	0.48	370
LGA0307 — R39	0.39				150	0.51	350
LGA0307 — R47	0.47				150	0.56	330
LGA0307 — R56	0.56		150		0.61	320	
LGA0307 — R68	0.68		150		0.67	310	
LGA0307 — R82	0.82		150		0.74	290	
LGA0307 — 1R0	1.0		150		0.80	270	
LGA0307 — 1R2	1.2		± 10% (K)		50	144	0.90
LGA0307 — 1R5	1.5	131		1.0		250	
LGA0307 — 1R8	1.8	121		1.1		240	
LGA0307 — 2R2	2.2	110		1.2		230	
LGA0307 — 2R7	2.7	100		1.3		220	
LGA0307 — 3R3	3.3	94		1.4	210		
LGA0307 — 3R9	3.9	65		1.6	200		
LGA0307 — 4R7	4.7	56		1.7	190		
LGA0307 — 5R6	5.6	48		1.9	180		
LGA0307 — 6R8	6.8	37		2.0	175		
LGA0307 — 8R2	8.2	25	2.2	165			
LGA0307 — 100	10	21	2.5	160			
LGA0307 — 120	12	19	2.5	150			
LGA0307 — 150	15	17	2.8	145			
LGA0307 — 180	18	13	3.1	140			

Part NO. 型号	L ( $\mu$ H)	TOL 允差	Q (min)	fr(MHz) 测试频率	SRF(MHz) 自谐频率	Rdc( $\Omega$ )max 直流电阻	I <sub>dc</sub> (mA) 额定电流
LGA0307 — 220	22	± 10% (K)	50	2.52	9.6	3.4	130
LGA0307 — 270	27				7.2	3.8	125
LGA0307 — 330	33				6.3	4.1	120
LGA0307 — 390	39				6.3	4.5	115
LGA0307 — 470	47				6.3	4.9	110
LGA0307 — 560	56				6.2	5.3	105
LGA0307 — 680	68				5.7	5.8	100
LGA0307 — 820	82				5.3	6.3	95
LGA0307 — 101	100				4.8	7.0	90
LGA0307 — 121	120				3.8	13.0	90
LGA0307 — 151	150			3.5	15.0	85	
LGA0307 — 181	180			3.3	16.0	80	
LGA0307 — 221	220			3.0	17.0	75	
LGA0307 — 271	270			2.8	19.0	65	
LGA0307 — 331	330			2.6	20.0	60	
LGA0307 — 391	390			2.4	22.0	55	
LGA0307 — 471	470			2.25	24.0	55	
LGA0307 — 561	560			2.10	26.0	50	
LGA0307 — 681	680			1.95	28.0	45	
LGA0307 — 821	820			1.85	30.0	40	
LGA0307 — 102	1000	1.40	33.0	40			
LGA0307 — 121	120	0.796	50	0.796	3.8	13.0	90
LGA0307 — 151	150				3.5	15.0	85
LGA0307 — 181	180				3.3	16.0	80
LGA0307 — 221	220				3.0	17.0	75
LGA0307 — 271	270				2.8	19.0	65
LGA0307 — 331	330				2.6	20.0	60
LGA0307 — 391	390				2.4	22.0	55
LGA0307 — 471	470				2.25	24.0	55
LGA0307 — 561	560				2.10	26.0	50
LGA0307 — 681	680				1.95	28.0	45
LGA0307 — 821	820	1.85	30.0	40			
LGA0307 — 102	1000	1.40	33.0	40			

Test:

- \* L、Q — HP4342A meter.
- \* For special specifications please contact with us.
- \* Specifications given here in may be changed at any time without prior notice please confirm specifications before your order or use.

测试仪器:

- \* L、Q — HP4342A 测试仪
- \* 对上列参数有不同要求的客户，敬请联系。
- \* 本规格书所列参数如有更改，以订货时所提供的数据为准。