

Data sheet

Commercial Art.No.: 93.082.1558.1

Device connector ST17/2 S F V1SW

Device connectors, PCB mount, ST17/2, 2 pole, horizontal, male, 50V/16A, color of coding: black



Commercial Art.No.	93.082.1558.1
EAN	4015573240247
Order Unit	1

Certificates / Approvals



Technical data

General

Rated current	16 A
Rated voltage	50 V
Pollution degree	2
Mechanical coding	yes
Rated impulse voltage	4 kV
Lockable	self-locking (unlocking by tool)
Color of coding/ contact carrier	black
Marking of poles	1, 2

Connection Data

Terminations per pole	2
-----------------------	---

Model

Model	male
Connection type	Soldering connection
Angle of plug	Square
Inclination	90 °
Degree of protection (IP)	IP20
built-in component	Soldering connection

Material

Housing material	Polyamide
halogen free	yes
Contact material	CuZn
Fire load	0.016 kWh
Insulation components continuous temperature	100 °C
Surface finish	Tin-plated

Dimensions

Length	24 mm
Width	16.2 mm

Height	13 mm
--------	-------

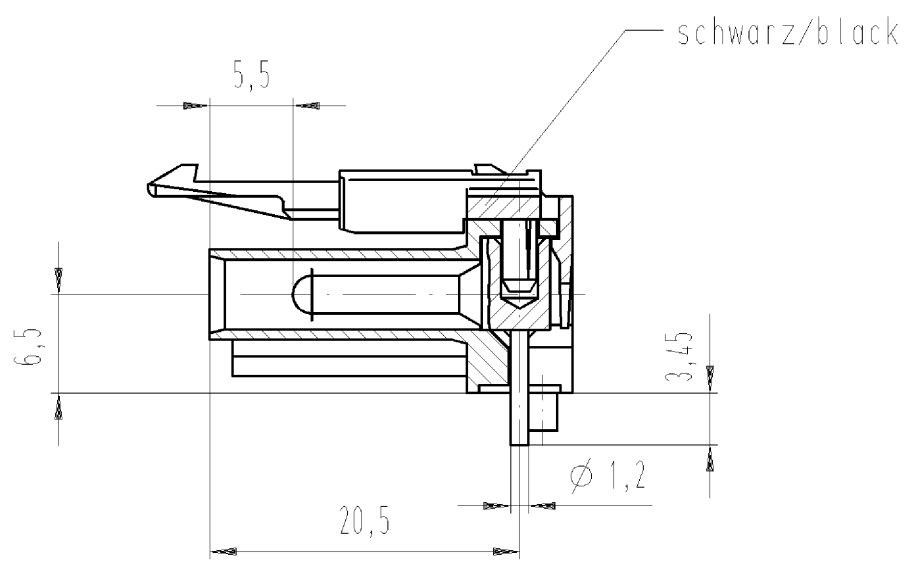
Classification

ECLASS 11	
ECLASS 8.1	27440602
ETIM 7.0	EC002566
ETIM 6.0	EC002566
ETIM 5.0	EC002566
ETIM 4.0	EC002566

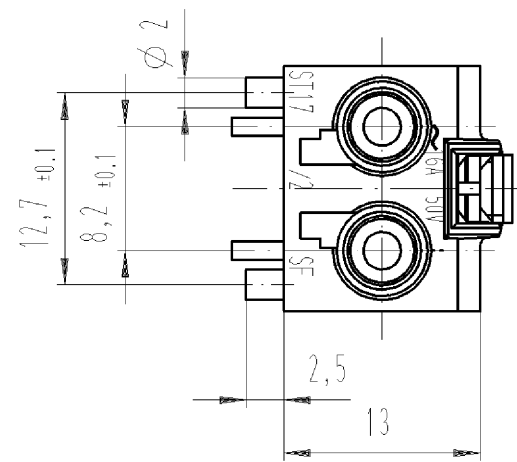
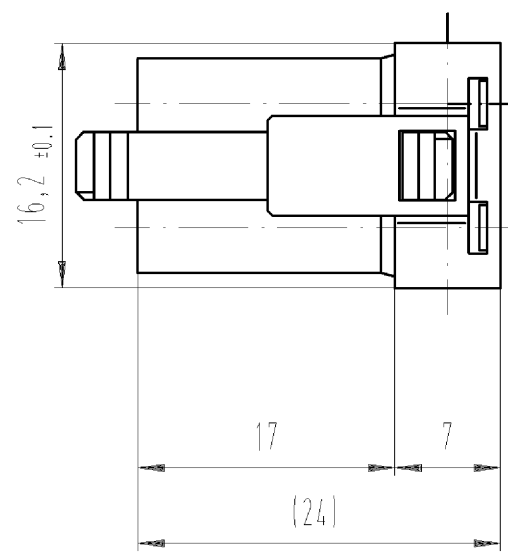
Product compliance

ROHS conformity status	Compliant/Exempted
ROHS exceptions	III-6(c)
REACH-SVHC conformity status	Duty-To-Declare
REACH-SVHC substances	Lead
REACH-SVHC CAS numbers	7439-92-1

These dimensions will be especially checked at delivery
 Only inspection dimensions
 With /E marked dimensions are only valid for internal use



Diese Maße werden bei Abnahme besonders geprüft
 Ausschließlich Prüfmaße
 Mit /E gekennzeichnete Maße sind nur für interne Zwecke gültig



Weitere Daten siehe Katalog
 further data see catalog

Teilenummer part number	Farbe colour	Typ type
93.082.1558.0	weiß/white	ST17/2 S F V1 WS
93.082.1558.1	schwarz/black	ST17/2 S F V1 SW

Tolerierung nach DIN 7167/Tolerance system acc. to DIN 7167.
 (This DIN-standard describes the envelope principle. According to the envelope principle the deviations of form and parallelism are limited by the size tolerances).

ja/yes Stoffverbots- und Deklarationsliste nach UU-TQM-05/03 ist einzuhalten.
 Conformity with Wieland document UU-TQM-05/03 (list of prohibited / declarable hazardous substances) to be declared!

Freitoleranz nach
 General tolerance

CAD - Zeichnung, keine manuellen Änderungen
 CAD - drawing, no manual modifications allowed

1.Verwendung:
 First Use:

Blatt: 1 von 1
 Sheet: 1 of 1

		Werkstoff/Material		2009	Tag/Date	Name	Zeichnung Nr./Drawing No.		Index
				gezeichnet drawn	08.07.	Schmitt J.	93.082.1558.0 01K		
		Maßstab/Scale		geprüft checked	-	-			
		2:1		Normgepr. Stand. check	-	-			
		Vol.	mm ³	Of1./Surf.	mm ²	Ersatz für/Replacement for: -			
		 wieland Elektrische Verbindungen		Type	Benennung/Title				
				STECKERTE IL 50 V DC 16A male connector					
Index	Datum / Blatt Date / Sheet								
Änderung/Revision									

Weitergabe sowie Vervielfältigung dieses Dokuments, Verwertung und Mitteilung seines Inhalts sind verboten, soweit nicht ausdrücklich gestattet. Die Reproduktion, Distribution und Utilization of this document as well as the communication of its contents to others without express authorization is prohibited.