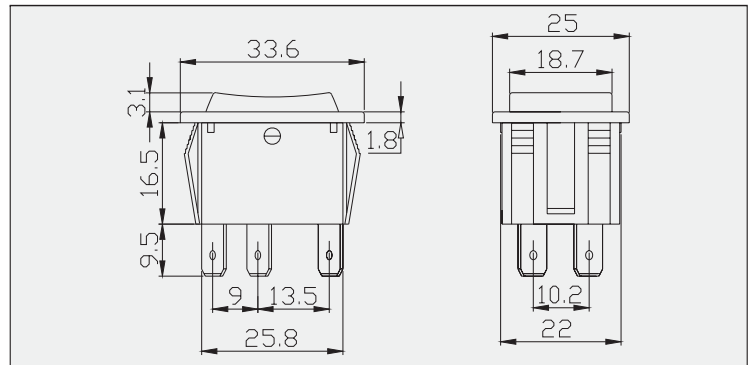


# SERIES SC787 DOUBLE POLE SWITCHES



SC787-3VAW-00Q






## APPLIANCE CUT-OUT

Double pole Y	X=panel thickness		
	X	Y	Z
	0.75~1.25	30.0-0.1	22.1+0.1
	1.25~2	30.2-0.1	22.1+0.1
	2~3	30.5-0.1	22.1+0.1

## ◆ PRODUCT ADVANTAGE

- Big rocker convenient for operating
- Excellent actuation characteristic
- Excellent SWPB spring support enough contact force and ensure mechanical life
- Various function for your choice
- Usually use in oven, coffee maker, stirrer, power strip, etc.

## ◆ TECHNICAL SPECIFICATIONS

Electrical rating	16A 250VAC 16(4)A 250VAC T125/551E4
Electrical life	1E4
Mechanical life	5E4
Contact resistance	≤20mΩ
Insulation resistance	>100MΩ
High voltage resistance	1500 VAC
Resistance to tracking	PTI 175
Contact gap DT with centre-OFF	>3mm
Protection type	IP20
Ambient temperature	0°C...+85°C
Flammability	UL94V-0
Heat and fire resistance	850°C
Material of housing and rocker	PA/PC
Material of Contacts	Ag or AgCdO
Material of Terminals	Copper Alloy
Temperature rise at the terminals (According to electrical life endurance)	Max.30K (UL1054) Max.55K (EN61058-1)
Push-on force of terminals	≥96N
Approval marks	  
Suitable for appliances of protection class II	

