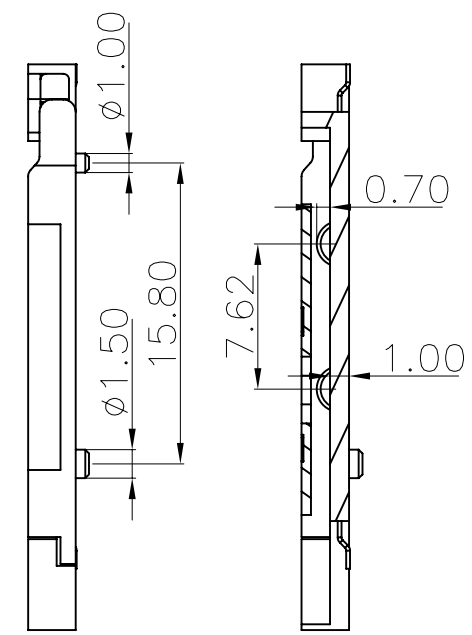
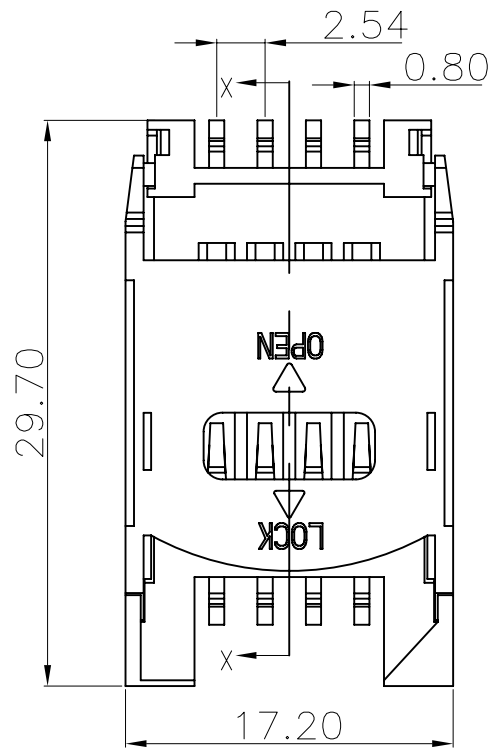
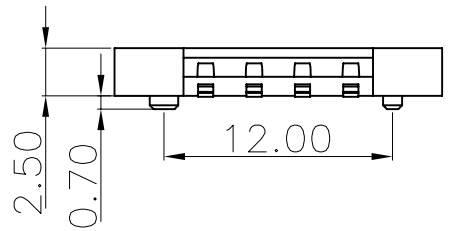
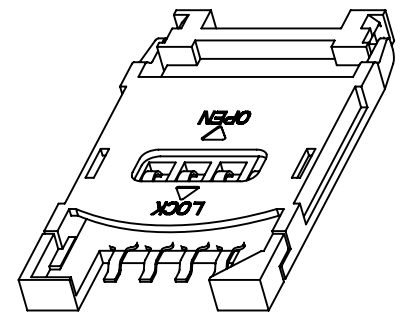


RECOMMENDED PCB LAYOUT



SECTION: X-X



115F-A C A 0-R
1 2 3 4 5

- 1.Type
A:6pin
- 2.Contact Plating
C:5u" Gold Plating
- 3.Stand off
A:0mm
- 4.Peg
0:w/peg
- 5.RoHS

NOTE:
 1.GENERAL CHARACTERISTICS
 DURABILITY:5000 CYCLES.
 OPERATIO TEMPERATURE:-25°C TO +85°C.
 2.ELECTRICAL CHARACTERISTICS
 CONTACT RESISTANCE:30M OHMS MAX.
 INSULATION RESISTANCE:>1000M OHMS MIN /500V DC.
 RATED CURRENT:0.5A MAX.
 WITHSTANDING DIELECTRIC VOLTAGE:500V AC R.M.S FOR 1MINUTE.
 3.SOLDERABILITY
 MAX PROCESSING TEMP:260°C FOR 10 SEC.

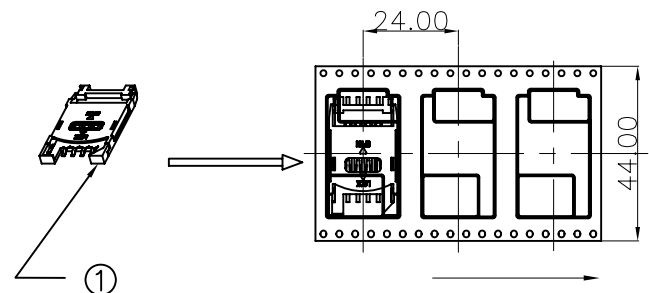
PART NAME	Q'TY	Material
HOUSING	1	LCP+30%GF
COVER	1	LCP+30%GF
CONTACT	8	C5210R-EH,GOLD 5u'

UNLESS OTHERWISE SPECIFIED TOLERANCE	
ANG.	±5
0.	±0.35
.0	±0.35
.00	±0.25
SCALE:	AS SHOWN
UNIT:	mm
DRAWN	willis
CHECKED	/ /
APPROVED	/ /

Attend
 ATTEND TECHNOLOGY INC.
 www.attend.com.tw

DRAWN NAME:
 SIM Card Socket Hinge Type
 with Switch Function
 PRODUCT NO. 115F-ACA0-R
 FILE NAME: 115F-ACA0-R_B_1

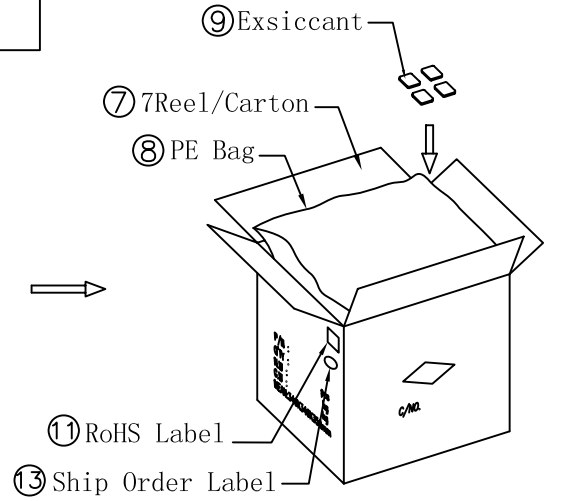
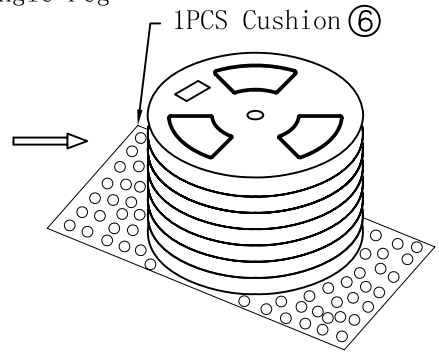
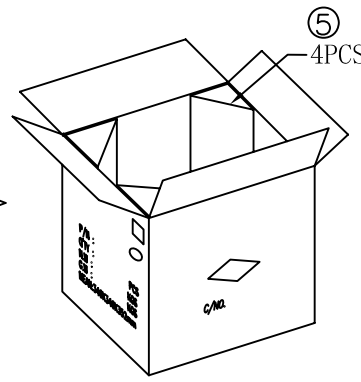
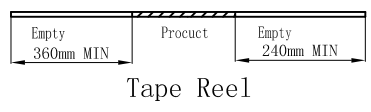
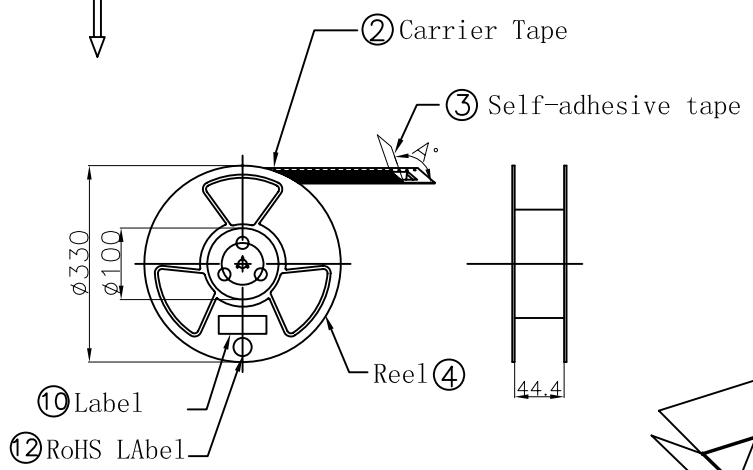
REV.	DESCRIPTION	DATE	SIZE	REV.
1			A4	



Note:
 1. 500PCS/Reel 3500PCS/7Reel/Carton
 2. N.W=3.5Kg G.W=8.18Kg

TABLE:

⑬	RoHS Label	1	PCS	/	
⑫	RoHS Label	7	PCS		
⑪	Ship Order Label	1	PCS		
⑩	Label	7	PCS		
⑨	Exsiccant	4	bag		
⑧	PE Bag	1	PCS		L800*W750mm
⑦	Exterior Carton	1	PCS		K=K, L346*W346*H352mm
⑥	Cushion	1	PCS		I*100
⑤	Triangle Peg	4	PCS		L330*H345mm
④	Reel	7	PCS		330*100mm, W=45mm
③	Self-adhesive tape	12.7	m		W=37.5, 12.7M/REEL
②	Carrier Tape	12.6	m		W=44mm, T=0.35mm, 12.6M/REEL
①	SIM Card Hinge type socket with card detect switch		UNIT		



						UNLESS OTHERWISE SPECIFIED TOLERANCE		 ATTEND TECHNOLOGY INC.		
						ANG. ±5 0. ±0.35 .0 ±0.35 .00 ±0.25				
						SCALE: AS SHOWN	UNIT: mm		www.attend.com.tw DRAWN NAME: SIM Card Socket Hinge Type with Switch Function PRODUCT NO. 115F-ACA0-R FILE NAME: 115F-ACA0-R_D_1	
						DRAWN Willis	2009/03/11			
						CHECKED	/ /			
						APPROVED	/ /			
REV.	DESCRIPTION					DATE	SIZE A4			