

## Data sheet

Commercial Art.No.: 96.151.0153.1

Connector RST20i5C B1 ZR2 SW

RST20i5 connector, 5 pole, female, for crimp contacts, application 250/400V with PE, 20A, for cable diameters 10-14mm, coding color black, color of housing black



Commercial Art.No.	96.151.0153.1
EAN	4015573932708
Order Unit	1

Certificates / Approvals



## Technical data

### General

Rated current	20 A
Rated voltage	250 V / 400 V
Rated impulse voltage	4 kV
strain relief	yes
Pollution degree	3
Lockable	self-locking (unlocking by tool)
Color of coding/ contact carrier	black
Marking of poles	1, 2, 3, N, PE
Color of housing inclusive strain relief	black

### Connection Data

Cable diameter max.	14 mm
Cable diameter min.	10 mm
Connection cross section fine stranded mm <sup>2</sup> max.	4 mm <sup>2</sup>
Connection cross section fine stranded mm <sup>2</sup> min.	0.75 mm <sup>2</sup>
Terminations per pole	1
Connection cross section stranded AWG min.	18 AWG
Connection cross section stranded AWG max.	12 AWG
sheath strip length	37 mm
Wire strip length	7 mm

### Model

Model	female
Connection type	Crimp
Degree of protection (IP)	IP66/68 (3m;2h) /IP69

### Material

Housing material	Polyamide
halogen free	yes
Contact material	CuZn
Fire load	0.282 kWh
Insulation components continuous temperature	100 °C
Surface finish	Silver-plated

#### Dimensions

Length	80.4 mm
Width	34.6 mm
Height	34.6 mm

#### Classification

ECLASS 11	
ECLASS 8.1	27440605
ETIM 7.0	EC002560
ETIM 6.0	EC002560
ETIM 5.0	EC002560
ETIM 4.0	EC002560

#### Note

Note	Crimp contacts have to ordered separately (under fits with)
------	---

#### Product compliance

ROHS conformity status	Compliant
REACH-SVHC conformity status	Compliant

#### Accessories

Commercial Art.No.:	Article-type description:	Description:
02.125.5521.8	Female contact CRIMP RST20i4/i5 1,0QMM	RST20i5/4 crimp contact, female, 20A, for cross section 0.75-1.0 mm <sup>2</sup> /AWG17
02.125.5621.8	Female contact CRIMP RST20i4/i5 1,5QMM	RST20i5/4 crimp contact, female, 20A, for cross section 1.5 mm <sup>2</sup> /AWG16
02.125.5721.8	Female contact CRIMP RST20i4/i5 2,5QMM	RST20i5/4 crimp contact, female, 20A, for cross section 2.5 mm <sup>2</sup> /AWG14
02.125.5821.8	Female contact CRIMP RST20i4/i5 4,0QMM	RST20i5/4 crimp contact, female, 20A, for cross section 4 mm <sup>2</sup> /AWG12
99.530.0000.7	Cover for female connector SW	RST20i5/4 cover piece, for covering unused female connectors, with fastening belt, color black
Z5.565.9853.1	Cover for female connector SW	RST20i5/4 cover piece, for covering unused female connectors, color black
05.564.8653.1	Opener RST20i3/i5 SCHWARZ	Manual disconnect for later installation of RST connectors, color black

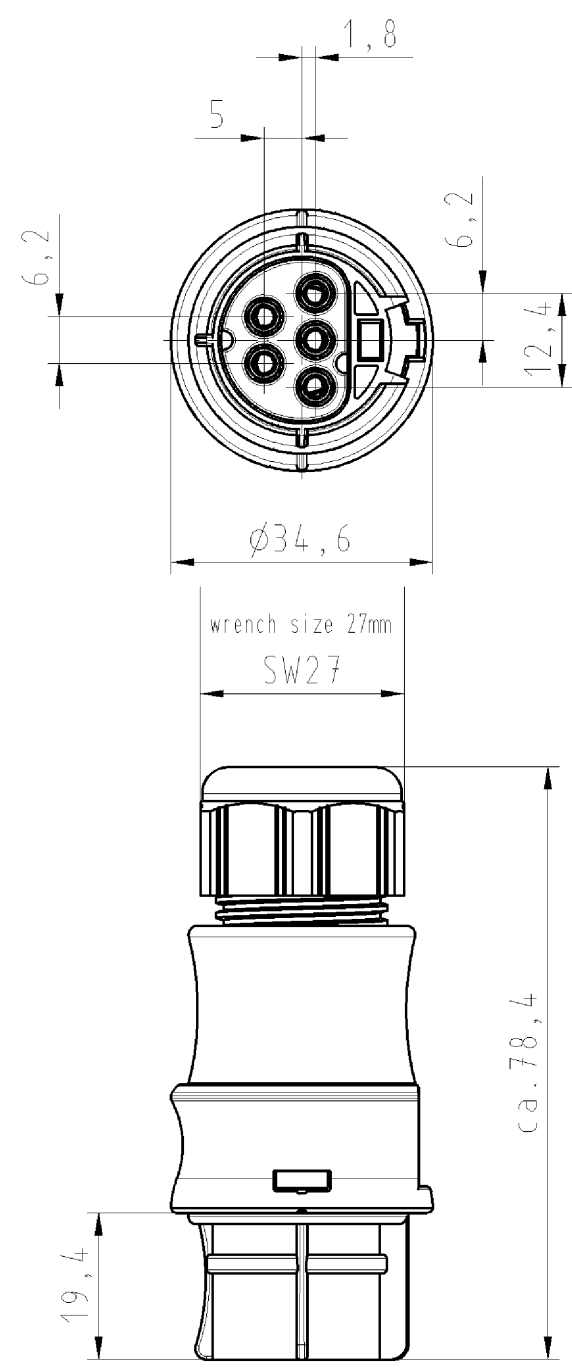
#### Fits with

Commercial Art.No.:	Article-type description:	Description:
---------------------	---------------------------	--------------

96.152.0153.1	Connector RST20I5C S1 ZR2 V SW	RST20i5 connector, 5 pole, male, for crimp contacts, application 250/400V with PE, 20A, for cable diameters 10-14mm, coding color black, color of housing black
96.154.0153.1	Connector RST20I5C S1 YR2 V SW	RST20i5 connector (90° angled), 5 pole, male, for crimp contacts, application 250/400V with PE, 20A, for cable diameters 10-14mm, coding color black, color of housing black
96.152.1053.1	Device connector RST20I5C S1 M01V SW	RST20i5 device connector M25, 5 pole, male, for crimp contacts, application 250/400V with PE, 20A, coding color black
96.152.2153.1	Device connector RST20I5C S1 M03V SW	RST20i5 device connector M16, 5 pole, male, for crimp contacts, modular, application 250/400V with PE, 20A, coding color black, color of housing black
96.152.2053.1	Device connector RST20I5C S1 M00V SW	RST20i5 device connector M20, 5 pole, male, for crimp contacts, modular, application 250/400V with PE, 20A, coding color black, color of housing black
96.154.2053.1	Device connector RST20I5C S1 M90V SW	RST20i5 device connector (90° angled) M20, 5 pole, male, for crimp contacts, modular, application 250/400V with PE, 20A, coding color black, color of housing black
96.154.2253.1	Device connector RST20I5C S1 M91V SW	RST20i5 device connector (90° angled) M25, 5 pole, male, for crimp contacts, modular, application 250/400V with PE, 20A, coding color black, color of housing black

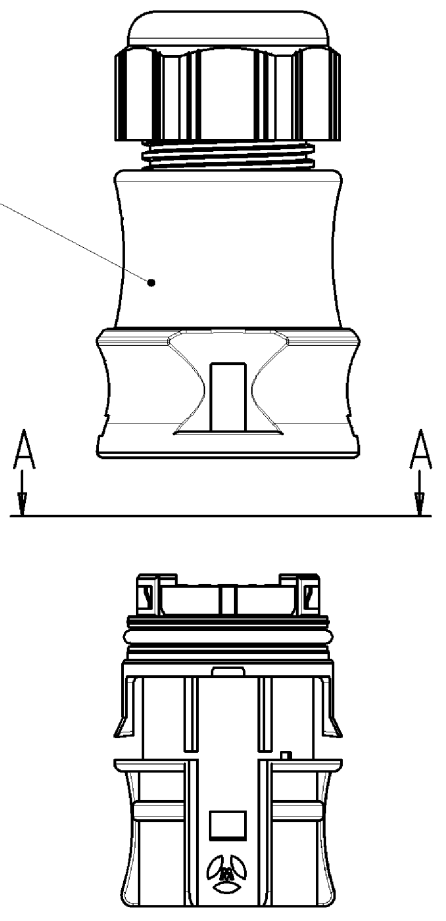
These dimensions will be especially checked at delivery  
Only inspection dimensions  
With /E marked dimensions are only valid for internal use

Diese Maße werden bei Abnahme besonders geprüft  
Ausschließlich Prüfmaße  
Mit /E gekennzeichnete Maße sind nur für interne Zwecke gültig

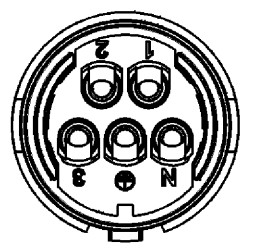


Auslieferungszustand  
delivery status

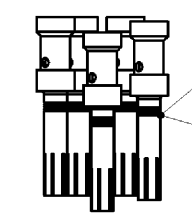
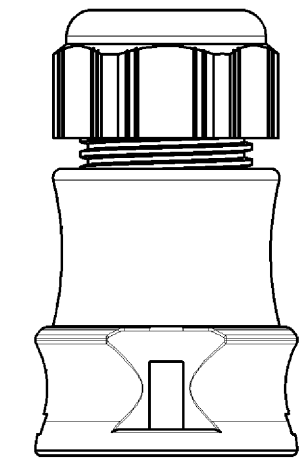
für Kabeldurchm. 10-14mm  
for cable diameter 10-14mm



A-A

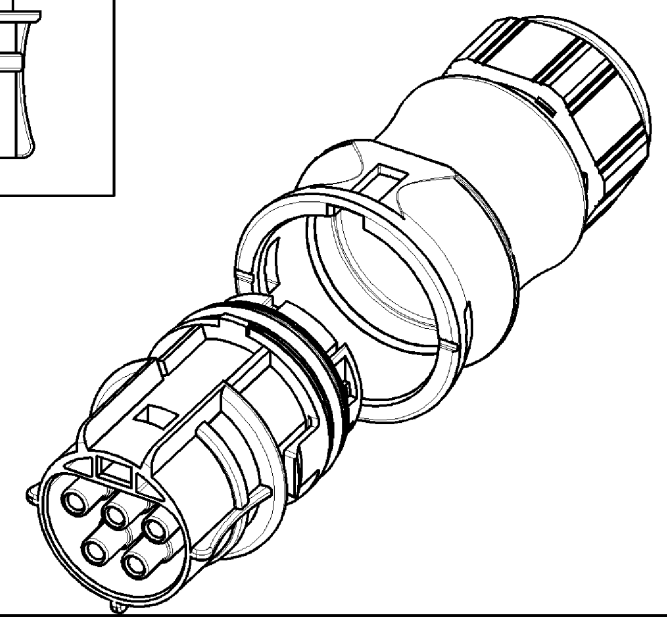


Bestellhinweis  
order info



Bitte separat bestellen:  
Buchsenkontakte  
02.125.55/56/57/5821.8

female contact  
02.125.55/56/57/5821.8  
must be ordered separately



Weitergabe sowie Vervielfältigung dieses Dokuments, Verwertung und Mitteilung seines Inhalts sind verboten, soweit nicht ausdrücklich gestattet.  
The reproduction, distribution and utilization of this document as well as the communication of its contents to others without express authorization is prohibited.

Verpackungseinheit: je 100 Stück  
packaging unit: per 100

Teile-Nr./ part-nr.	Farbe:/ color:	Type
96.151.0153.1	schwarz, ähnl. RAL 9005/ black, similar to RAL 9005	RST2015C B1 ZR2 V SW
96.151.0153.0	lichtgrau, ähnl. RAL 7035/ lightgrey, similar to RAL 7035	RST2015C B1 ZR2 V GL

Tolerierung nach DIN 7167/Tolerance system acc. to DIN 7167. (This DIN-standard describes the envelope principle. According to the envelope principle the deviations of form and parallelism are limited by the size tolerances).		ja/yes <input checked="" type="checkbox"/> Stoffverbots- und Deklarationsliste nach UU-TQM-05/03 ist einzuhalten. Conformity with Wieland document UU-TQM-05/03 (list of prohibited / declarable hazardous substances) to be declared!	
Freitoleranz nach General tolerance		CAD - Zeichnung, keine manuellen Änderungen CAD - drawing, no manual modifications allowed	1. Verwendung: First Use: -
Blatt: 1 von 1 Sheet: 1 of 1		Zeichnung Nr./Drawing No. Index	
T		96.151.0153.0 01K	
Maße in mm/Dimensions are in mm			
Werkstoff/Material		2006 Tag/Date	Name
/		gezeichnet drawn 23.08.	Kneitz
/ Maßstab/Scale		geprüft checked -	-
/ 1:1		Normgepr. Stand. check -	-
/ Vol. mm <sup>3</sup> Öl./Surf. mm <sup>2</sup>		Ersatz für/Replacement for: -	
/		Type	
/		Benennung/Title	
/		BUCHSENTEIL MIT ZUGENTLASTUNG	
female connector with cord grip für Crimpschluß/for crimp barrel Standardkodierung 0/standard-keying 0 (400V/250V/20A)			
Index	Datum / Blatt Date / Sheet	Änderung/Revision	