

## Data sheet

Commercial Art.No.: 92.040.1053.1

Distributor GST18i4V 2P1T V SW

T-connector GST18i4, 4 pole, 1 input, 2 outputs, 250/400 V, 20 A, colour of coding: black



Commercial Art.No.	92.040.1053.1
EAN	4015573655898
Order Unit	1

Certificates / Approvals



## Technical data

### General

Rated current	20 A
Rated voltage	250 V / 400 V
Rated impulse voltage	4 kV
Pollution degree	2
Mechanical coding	Code 1
Lockable	self-locking (unlocking by tool)
Color of coding/ contact carrier	black
Marking of poles	2, N, PE, 1

### Model

Number of inputs	1
Number of outputs	2
Type of fastening	No
Degree of protection (IP)	IP20
Type of distributor	T-distributor

### Material

Housing material	Polyamide
halogen free	yes
Contact material	CuZn
Fire load	0.127 kWh
Insulation components continuous temperature	100 °C

Surface finish	Tin-plated
----------------	------------

**Classification**

ECLASS 11	
ECLASS 8.1	27440603
ETIM 7.0	EC002567
ETIM 6.0	EC002567
ETIM 5.0	EC002567
ETIM 4.0	EC002567

**Product compliance**

ROHS conformity status	Compliant/Exempted
ROHS exceptions	III-6(c)
REACH-SVHC conformity status	Duty-To-Declare
REACH-SVHC substances	Lead
REACH-SVHC CAS numbers	7439-92-1

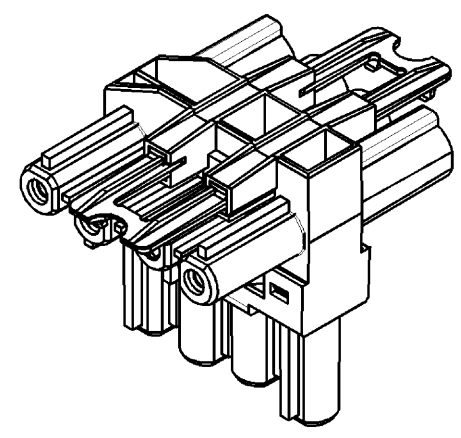
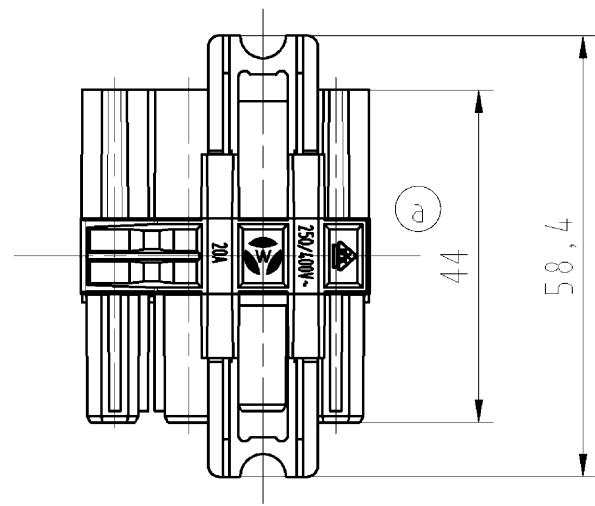
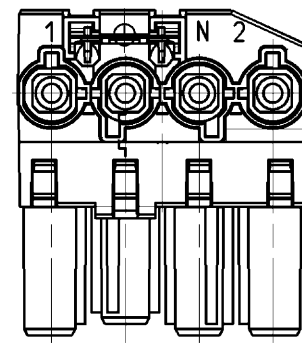
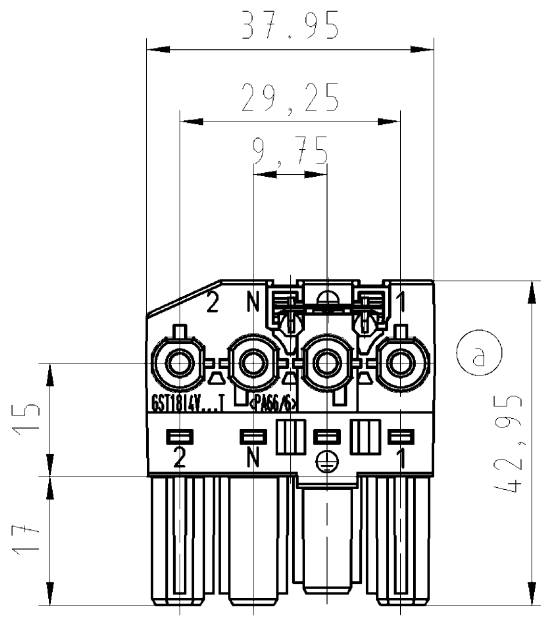
**Accessories**

Commercial Art.No.:	Article-type description:	Description:
05.588.5753.0	Lock GST18 VERTEILER WS	Locking device for distributor GST18i3-5, retrofit part, white
05.588.5753.1	Locking slide GST18 VERTEILER SW	Locking device for distributor GST18i3-5, retrofit part, black
05.564.5353.0	cover cap GST18i3/4/5 SW	Cover piece 12 pole black for female parts GST18i3-6
05.564.5353.2	cover cap GST18i3/4/5 WS	Cover piece 12 pole white for female parts GST18i3-6
05.566.9153.0	cover cap GST18i4 BUCHSEN	Cover for female connectors GST18i4, black

A  
 B  
 C  
 D  
 E

These dimensions will be especially checked at delivery  
 Only inspection dimensions  
 With /E marked dimensions are only valid for internal use

Diese Maße werden bei Abnahme besonders geprüft  
 Ausschließlich Prüfmaße  
 Mit /E gekennzeichnete Maße sind nur für interne Zwecke gültig



Weitere Daten siehe Katalog  
 further data see catalog

Teile-Nr. part-nr.	Farbe colour	Typ type
92.040.1053.0	weiss/white	GST1814V 2A1T V WS
92.040.1053.1	schwarz/black	GST1814V 2A1T V SW

Tolerierung nach DIN 7167/Tolerance system acc. to DIN 7167. (This DIN-standard describes the envelope principle. According to the envelope principle the deviations of form and parallelism are limited by the size tolerances). ja/yes  Stoffverbots- und Deklarationsliste nach UU-TQM-05/03 ist einzuhalten. Conformity with Wieland document UU-TQM-05/03 (list of prohibited / declarable hazardous substances) to be declared!

Freitoleranz nach - General tolerance CAD - Zeichnung, keine manuellen Änderungen CAD - drawing, no manual modifications allowed I.Verwendung: - First Use: Blatt: 1 von 1 Sheet: 1 of 1

Werkstoff/Material	2006 Tag/Date	Name	Zeichnung Nr./Drawing No.	Index
-	gezeichnet drawn 02.03.	Schmitt J.		
	geprüft checked -	-		
Maßstab/Scale	1:1	Normgepr. Stand., check -	Maße in mm/Dimensions are in mm	
Vol.	mm³	Ofi./Surt.	Ersatz für/Replacement for: -	

a	17.06.2013/		<b>wieland</b>	Type	Benennung/Tittle
	Index			Datum / Blatt Date / Sheet	Elektrische Verbindungen
Änderung/Revision					

Weitergabe sowie Vervielfältigung dieses Dokuments, Verwertung und Mitteilung seines Inhalts sind verboten, soweit nicht ausdrücklich gestattet. Die Reproduktion, Distribution und Utilization of this document as well as the communication of its contents to others without express authorization is prohibited.