



Model	Output Current	Input Current	Input Power	Output Power Range	PF	Efficiency	Output Voltage	No load Voltage
CC21W150-500CG2-1	150mA	0.05A	8W	3.00-6.30W	0.7	76%	20-42V	55V
	200mA	0.06A	11W	4.00-8.40W	0.8	79%		
	250mA	0.07A	14W	5.00-10.50W	0.85	81%		
	300mA	0.09A	16W	6.00-12.60W	0.85	82%		
	350mA	0.1A	18W	7.00-14.70W	0.9	83%		
	400mA	0.12A	21W	8.00-16.80W	0.9	84%		
	450mA	0.13A	23W	9.00-18.90W	0.92	84%		
	500mA	0.14A	25W	10.00-21.00W	0.92	85%		
CC30W350-700CG2-1	350mA	0.1A	17.5W	8.7-14.70W	0.85	85%	25-42V	55V
	400mA	0.12A	20W	10-16.8W	0.85	86%		
	450mA	0.13A	22.5W	11.2-18.9W	0.9	86%		
	500mA	0.14A	24.5W	12.5-21W	0.9	86%		
	550mA	0.16A	27W	13.7-23.1W	0.9	87%		
	600mA	0.17A	29.5W	15-25.2W	0.92	87%		
	650mA	0.18A	32W	16.3-27.3W	0.92	88%		
	700mA	0.20A	34W	17.5-29.4W	0.95	88%		
CC42W700-1050CG2-1	700mA	0.20A	34W	17.5-28W	0.92	88%	25-40V	55V
	750mA	0.21A	35.5W	19-30W	0.92	88%		
	800mA	0.22A	37W	20-32W	0.92	88%		
	850mA	0.24A	39W	21-34W	0.92	88%		
	900mA	0.25A	41W	22.5-36W	0.95	89%		
	950mA	0.26A	43.5W	24-38W	0.95	89%		
	1000mA	0.27A	45.5W	25-40W	0.95	89%		
	1050mA	0.28A	47.5W	26-42W	0.95	89%		

* Test result @230V, 50Hz, Full Load.

1. Parameters

category	Item	Technical Norm
Features	Output Type	Constant Current
	IP Grade	IP20
	Insulation Class	Class II
Input	Rated Input Voltage	220-240VAC
	Range of Input Voltage	198-264VAC
	Range of DC Input Voltage CC21W150-500CG2	220-280VDC
	Range of DC Input Voltage CC30W350-700CG2 CC42W700-1050CG2	220-280VDC
	Frequency	50/60Hz
	Input Current	≤0.28A
	Input Power	≤47.5W
	Power Factor	≥0.92 (230VAC, full load)
	THD	@21W ≤20%(230VAC, full load) @30W/42W ≤15% (230VAC, full load)
	No-load Power Consumption	≤0.5W @230VAC
Output	Current Accuracy	@(150mA, 200mA) ±10% @(250mA, 300mA) ±6% @(350-1050mA) ±5%
	Max. Output Power	42W
	Started Delay Time	≤0.5S (230VAC, full load)
	Current Ripple(< 120 Hz)	±5% (Imax-Imin) / (Imax+Imin)
	PstLM	≤1
	SVM	≤0.4
Protection	Short Circuit Protection	Auto Recovery
	Overload Protection	Auto Recovery
	No-load Protection	Auto Recovery
	Insulation voltage	I/P to O/P , 3KVac/1min
	Insulation resistance	>100M ohm @ 500VDC
	Leakage current	I/P to O/P < 250 μ A
Environment	Ta/Operation Temperature	21W,30W: -20...+50°C; 42W: -20...+45°C
	Ts/Storage Temperature	-40....+85°C
	Tc/Enclosure Temperature	85 °C
	Humidity	10%... 90%RH
	Atmosphere	86-108KPa
Construction	Connection Method	Push-in Terminal
	Installation	Build-in & Independent
	PRI Wire preparation	0.75-1.5m²
	SEC Wire preparation	0.5-1.5m²
	Dimension	Independent:137.6*44*25.5mm (L*W*H) Built in:97.8*44*25.5mm(L*W*H)

Standards	Certification	CE
	Safety Standards	EN61347-1:2015,EN62493:2015, EN61347-2-13:2014/A1:2017, AS 61347.2.13:2018, AS/NZS 61347.1:2016 Inc A1
	EMC Standards	EN55015:2019/A11:2019,EN61000-3-2:2019,EN61000-3-3:2013/A1:2019, EN61547:2009
	Performance	EN62384
	Surge	L-N/2KV
Others	RoHS	Complied to 2011/65/EU
	Life Time	50000h @Ta / Tc
	Warranty	5years , F.R. <1000ppm
Remark: 1.All Parameters, if not specified, are measured at 230VAC/50Hz and 25°C ambient temperature. 2.LED Driver is a component of the luminaires. Luminaires and wire layout will affect the EMC, please check theEMC with end products again.		

2. Label

KGP LED POWER SUPPLY
 KGP Electronics GmbH
 Hueckstraße 19
 DE-58511 Lüdenscheid
 Model: CC42W700-1050CG2-1
 Constant Current Type For LED modules only
 U_N=220-240VAC t_c =85*
 U_{out}:25-40VDC SEC:700-1050mA U_{out}=Max.55VDC

Rated [W]	Rated [lm]	λ	t _a [°C]	1	2	3	Rated [W]	Rated [lm]	λ	1	2	3	t _a [°C]	
28	700	0.92C	-20...+50	-	-	-	36	900	0.95	-	-	ON	-20...+50	
30	750			ON	-	-	38	950		ON	-	ON	-	-20...+50
32	800			-	ON	-	40	1000		-	ON	ON	-	-20...+50
34	850			ON	ON	-	42	1050		ON	ON	ON	-	-20...+50

LED + ■
 LED I ■
 8mm
 PRI 0.75-1.5 □
 SEC 0.5-1.5 □

1 ON
 2 ON
 3 ON
 N ■
 PRI ■
 L ■

CE SELV

3. Connected quantities of different current Breaker

CC21W150-500CG2-1

TYPE	Connected quantities of different current Breaker						Input Voltage	Inrush Current	Time
	current (A)	10	13	16	20	25			
	Installation wire diameter	1.5mm ²	2.5mm ²	2.5mm ²	4mm ²	4mm ²			
TYPE B		40	52	64	80	100	@230VAC	15	400
TYPE C		64	83	102	128	160			
TYPE D		102	133	164	205	256			

CC30W350-700CG2-1

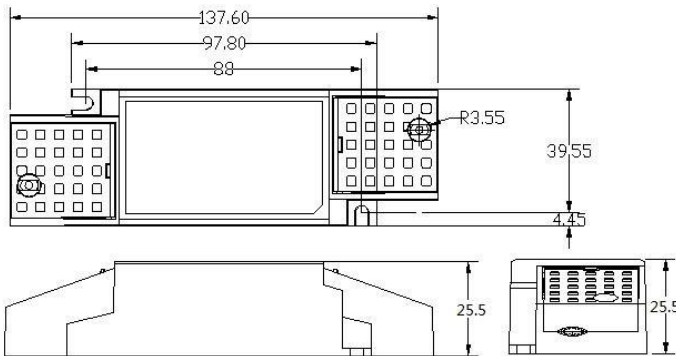
TYPE	Connected quantities of different current Breaker						Input Voltage	Inrush Current	Time
	current (A)	10	13	16	20	25			
	Installation wire diameter	1.5mm ²	2.5mm ²	2.5mm ²	4mm ²	4mm ²			
TYPE B		30	39	48	60	75	@230VAC	20	400
TYPE C		48	62	77	96	120			
TYPE D		77	100	123	154	192			

CC42W700-1050CG2-1

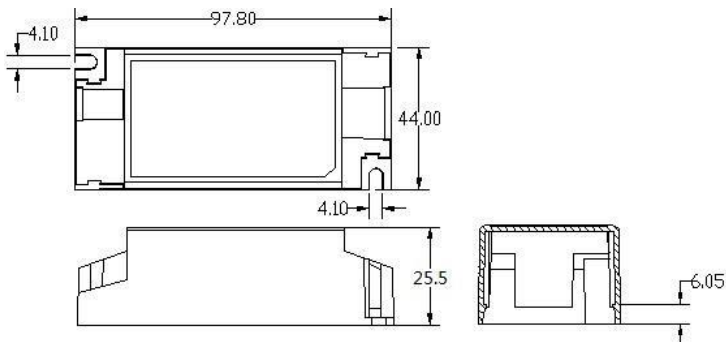
TYPE	Connected quantities of different current Breaker						Input Voltage	Inrush Current	Time
	current (A)	10	13	16	20	25			
	Installation wire diameter	1.5mm ²	2.5mm ²	2.5mm ²	4mm ²	4mm ²			
TYPE B		24	31	38	48	60	@230VAC	25	400
TYPE C		38	50	61	77	96			
TYPE D		61	80	98	123	154			

4. Dimension (Unit: mm)

Independent type:



Built in type:

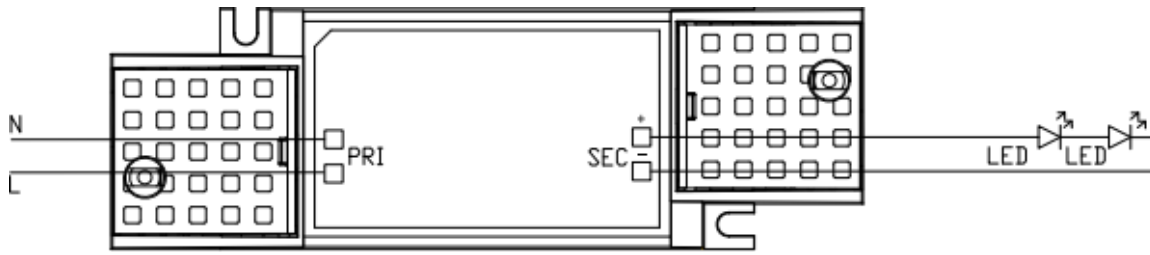


5.

Carton L*W*H(mm)	Pcs/Carton	Net weight/ Pcs(kg)	Net weight/ Carton(kg)	Gross weight /Carton(kg)
450*240*200	85	0.124	10.54	11.29

6. Wiring Diagram

Independent type:



Built in type:

