

## Data sheet

Commercial Art.No.: 96.032.0053.1

Connector RST20i3F S2 ZR1 V SW

RST20i3 connector, 3 pole, male, spring clamp connection, application 250V with PE, 20A, for cable diameters 6-10mm, coding color black, color of housing black



Commercial Art.No.	96.032.0053.1
EAN	4015573743496
Order Unit	1

Certificates / Approvals



LR RINA



## Technical data

### General

Rated current	20 A
Rated voltage	250 V
Rated impulse voltage	4 kV
strain relief	yes
Pollution degree	3
Lockable	self-locking (unlocking by tool)
Color of coding/ contact carrier	black
Marking of poles	L, N, PE
Color of housing inclusive strain relief	black

### Connection Data

Cable diameter max.	10 mm
Cable diameter min.	6 mm
Connection cross section solid mm <sup>2</sup> max.	2.5 mm <sup>2</sup>
Connection cross section solid mm <sup>2</sup> min.	0.5 mm <sup>2</sup>
Connection cross section solid AWG min.	20 AWG
Connection cross section solid AWG max.	14 AWG
Connection cross section fine stranded mm <sup>2</sup> max.	1.5 mm <sup>2</sup>
Connection cross section fine stranded mm <sup>2</sup> min.	0.5 mm <sup>2</sup>
Terminations per pole	2
Connection cross section stranded mm <sup>2</sup> min.	0.75 mm <sup>2</sup>
Connection cross section stranded mm <sup>2</sup> max.	1.5 mm <sup>2</sup>
Connection cross section stranded AWG min.	20 AWG
Connection cross section stranded AWG max.	16 AWG
sheath strip length	35 mm
Wire strip length	14.5 mm

### Model

Model	male
Connection type	spring clamp connection
Degree of protection (IP)	IP66/68 (3m;2h) /IP69

#### Material

Housing material	Polyamide
halogen free	yes
Contact material	CuZn
Fire load	0.268 kWh
Insulation components continuous temperature	100 °C
Surface finish	Silver-plated

#### Dimensions

Length	79.1 mm
Width	34.6 mm
Height	34.6 mm

#### Note

Note	Fine stranded and stranded conductors require cable end sleeve
------	--

#### Classification

ECLASS 11	
ECLASS 8.1	27440605
ETIM 7.0	EC002560
ETIM 6.0	EC002560
ETIM 5.0	EC002560
ETIM 4.0	EC002560

#### Product compliance

ROHS conformity status	Compliant/Exempted
ROHS exceptions	III-6(c)
REACH-SVHC conformity status	Duty-To-Declare
REACH-SVHC substances	Lead
REACH-SVHC CAS numbers	7439-92-1

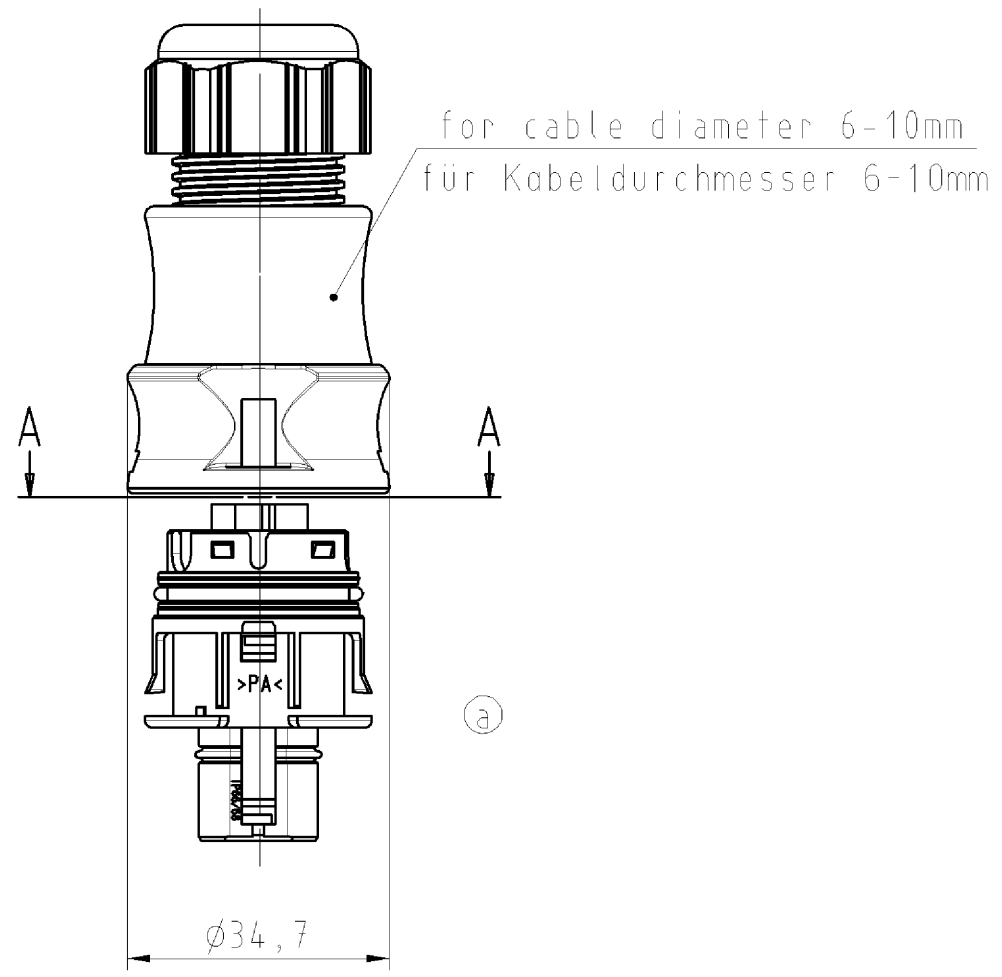
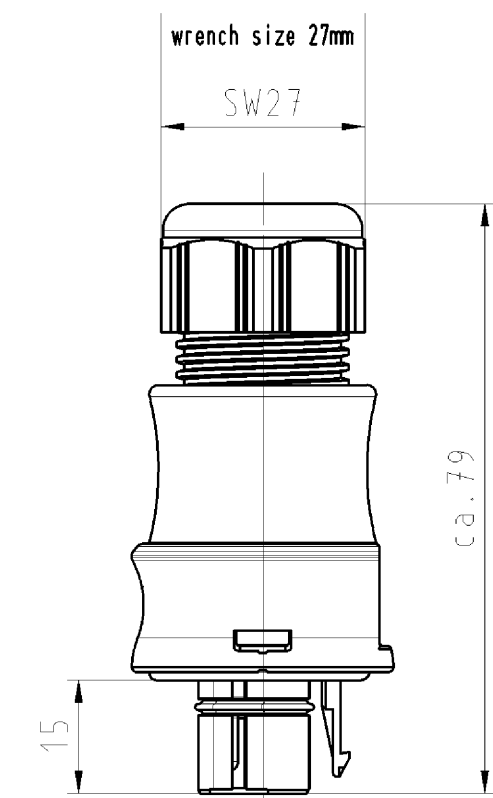
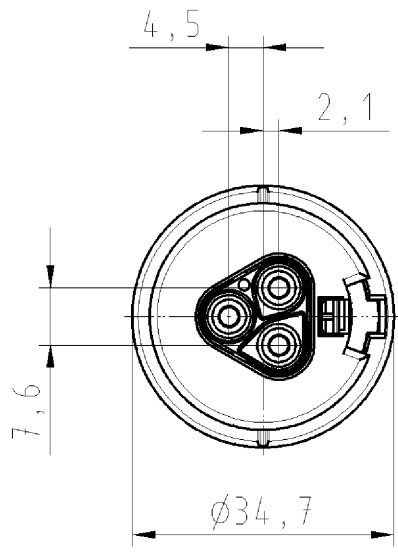
#### Accessories

Commercial Art.No.:	Article-type description:	Description:
06.502.4300.0	screwdriver DIN 5264 A 0,4 X 2,5	Screw driver according to DIN 5264 A, blade: 0.4x2.5 mm, long and straight version
95.101.1300.0	ferrule crimping tool 0,08 - 10 mm <sup>2</sup>	Crimping tool for ferrules, wire strip length: 7-28 mm, nominal cross section: 0,08-10 mm <sup>2</sup> , length of tool: 180 mm
06.600.3627.0	ferrules DIN 46228-E1-12	RST end sleeve, for spring clamp contact, with insulating sleeve, for cross section 1.0 mm <sup>2</sup> /AWG17
06.600.3727.0	ferrules DIN 46228-E0,75-12	RST end sleeve, for spring clamp contact, with insulating sleeve, for cross section 0.75-1.0 mm <sup>2</sup> /AWG17
06.600.3827.0	ferrules DIN 46228-E0,5-10	RST end sleeve, for spring clamp contact, with insulating sleeve, for cross section 0.5 mm <sup>2</sup> /AWG20

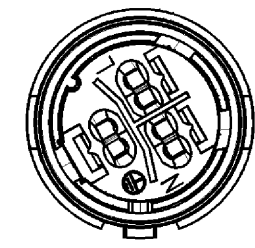
06.600.3927.0	ferrules DIN 46228-E1,5-12	RST end sleeve, for spring clamp contact, with insulating sleeve, for cross section 1.5 mm <sup>2</sup> /AWG16
05.564.4453.1	Cover for male connector SW	RST20i3/2 cover piece, for covering unused male connectors, color black
99.416.6205.2	Cover for male connector SW	RST20i3/2 cover piece, for covering unused male connectors, with fastening belt, color black

### Fits with

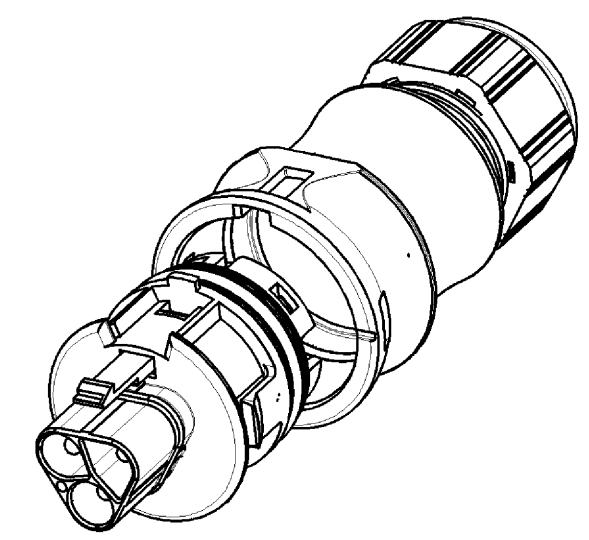
Commercial Art.No.:	Article-type description:	Description:
96.030.0153.1	Distributor RST20i3V 3P1 F V SW	RST20i3 distribution block, 3 pole, application 250V with PE, 20A, 1 input and 3 outputs, with fastening option, coding color black, color of housing black
96.031.0053.1	Connector RST20i3F B2 ZR1 SW	RST20i3 connector, 3 pole, female, spring clamp connection, application 250V with PE, 20A, for cable diameters 6-10mm, coding color black, color of housing black
96.031.1053.1	Device connector RST20i3F B2 M01 SW	RST20i3 device connector M25, 3 pole, female, spring clamp connection, application 250V with PE, 20A, coding color black
96.031.2153.1	Device connector RST20i3F B2 M03 SW	RST20i3 device connector M16, 3 pole, female, spring clamp connection, modular, application 250V with PE, 20A, coding color black, color of housing black
96.031.2053.1	Device connector RST20i3F B2 M00 SW	RST20i3 device connector M20, 3 pole, female, spring clamp connection, modular, application 250V with PE, 20A, coding color black, color of housing black
96.033.2053.1	Device connector RST20i3F B2 M90 SW	RST20i3 device connector (90° angled) M20, 3 pole, female, spring clamp connection, modular, application 250V with PE, 20A, coding color black, color of housing black
96.035.2153.1	Device connector RST20i3F B2 M13 SW	RST20i3 device connector (7° angled) M16, 3 pole, female, spring clamp connection, modular, application 250V with PE, 20A, coding color black, color of housing black
96.033.0053.1	Connector RST20i3F B2 YR1 SW	RST20i3 connector (90° angled), 3 pole, female, spring clamp connection, application 250V with PE, 20A, for cable diameters 6-10mm, coding color black, color of housing black



view A-A  
Ansicht A-A



M 1:1



Verpackungseinheit: je 100 Stk.  
packaging unit: per 100

- Diese Maße werden bei Abnahme besonders geprüft
- Ausschließlich Prüfmaße
- MTL/Æ gekennzeichnete Maße sind nur für interne Zwecke gültig

Teile-Nr./ part-nr.	Farbe:/ color:	Einz.-Tl.-Nr.: *)/ single-part-nr.:*)
96.032.0053.1	schwarz, ähnl. RAL 9005/ black, similar to RAL 9005	....._1
96.032.0053.0	lichtgrau, ähnl. RAL 7035/ lightgrey, similar to RAL 7035	....._0

Freitoleranz nach 16901 Toleranzgruppe 130		CAD - Zeichnung, keine manuellen Änderungen			1. Verwendung: -		Bl.: 1 von 1		
	Maßstab	Werkstoff und Oberfläche: material and surface:		2003	Tag	Name		Zeichnung Nr.	Index
	1:1	Farbe: siehe Tabelle color: look table		Entworfen	21.10.	Kneitz			
	Vol.	mm <sup>3</sup>	Ofl.	mm <sup>2</sup>	Normgepr.	-		Ersatz für: -	
a	09.05.2005/	<b>wieland</b> Elektrische Verbindungen		Benennung					
Buchstabe	Datum / Blatt			<b>STECKERTEIL MIT ZUGENTLASTUNG</b> male connector with cord grip RST2013F S2 ZR1 V					
Änderung									

Weitergabe sowie Vervielfältigung dieses Dokuments, Verwertung und Mitteilung  
 seines Inhalts sind verboten, soweit nicht ausdrücklich gestattet.  
 The reproduction, distribution and utilization of this document as well as the  
 communication of its contents to others without express authorization is prohibited.

1  
2  
3  
4  
5  
6  
7  
8  
9  
10  
11  
12  
13  
14  
15  
16  
17  
18  
19  
20  
M1  
M2  
M3  
L  
G  
1.1  
2.1  
1.1  
960320053001K\_4\_CAD/007\_Kneitz\_2005-05-09T10:57:34\_1.000