

THIS DRAWING IS UNPUBLISHED.

RELEASED FOR PUBLICATION

20

© COPYRIGHT 2018 BY -

ALL RIGHTS RESERVED.

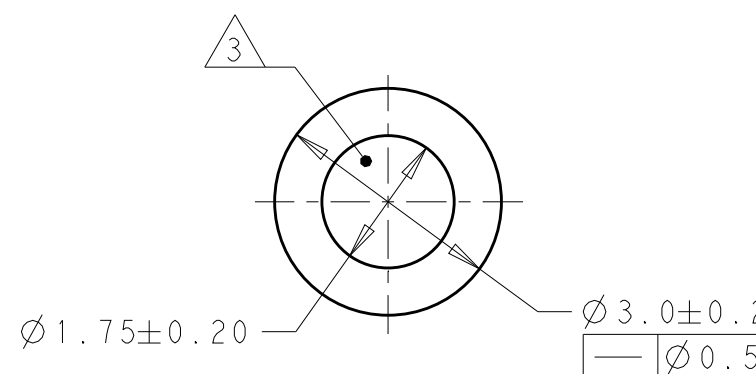
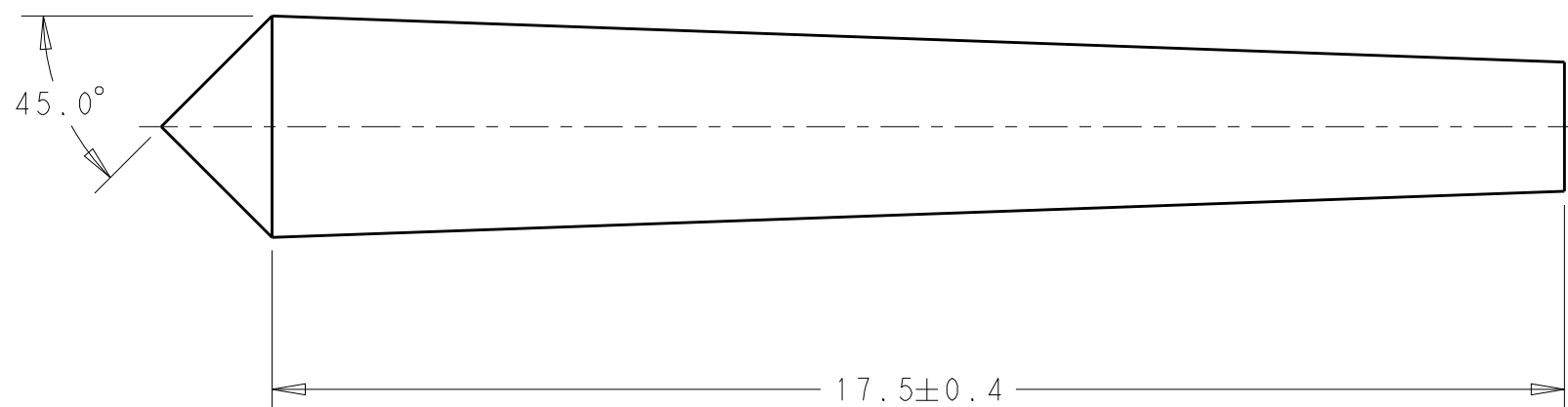
REVISIONS

P	LTR	DESCRIPTION	DATE	DWN	APVD
P1		REDRAWN IN PRO-E	05JUN2018	DCS	DCS
P2		ECO-18-019509	13DEC2018	DS	DS
P3		ECO-19-004341	20MAR2019	DCS	DCS


1 MATERIAL: 15% GLASS FILLED PBT, NATURAL
25% MAX REGRIND ALLOWED

2. USE ON AMPSEAL PLUG ASSEMBLIES
776286, 776273, 770680, 776164

3 CAVITY ID LOCATED ON THIS SURFACE



770678-1
PART NUMBER

THIS DRAWING IS A CONTROLLED DOCUMENT.		DWN D STRAUSSER 05 JUNE 2018	 TE Connectivity			
DIMENSIONS: mm		CHK J MCNEAL 06 JUNE 2018				
TOLERANCES UNLESS OTHERWISE SPECIFIED:		APVD D STRAUSSER 06 JUNE 2018	NAME AMPSEAL SEAL PLUG			
0 PLC ± 1 PLC ± 2 PLC ± 3 PLC ± 4 PLC ± ANGLES ±5°		PRODUCT SPEC -	APPLICATION SPEC 114-16016			
MATERIAL 1	FINISH	WEIGHT 0.094g	SIZE A3	CAGE CODE 00779	DRAWING NO G=770678	RESTRICTED TO -
CUSTOMER DRAWING			SCALE 10:1	SHEET 1 OF 1	REV P3	