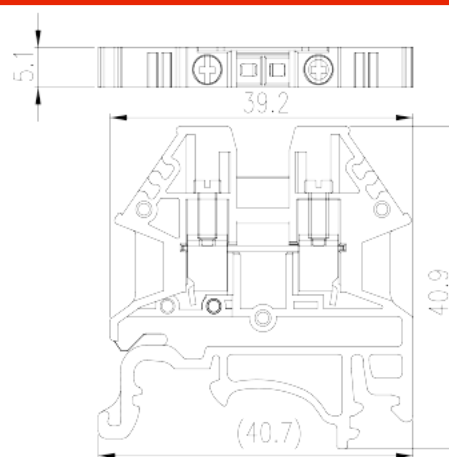
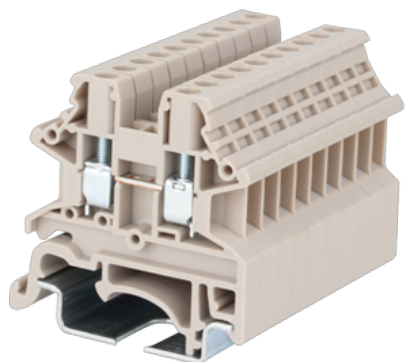


# DK2.5N

DIN Rail Terminal Blocks > Screw Connection

Date:2023-05-31Version:1.2



The web catalog is for reference only. Dinkle remains the right of product modification and engineering change of the design. The final product is made according to engineering drawing.

## Product Description

M2.5, 600V, 20A, Beige (default)

## General information

|                     |  |
|---------------------|--|
| Short description   | DIN rail terminal blocks, Feed through terminal blocks |
| Category            | Feed through terminal blocks                           |
| Color               | Beige (default)  |
| Connection method   | Screw connection                                       |
| Type of locking     | Rail mounting  |
| Length (mm)         | 40.7   |
| Width (mm)          | 5.1  |
| Height (mm)         | 39.6   |
| Number of positions | □1P  |
| Level               | Single level   |
| Connection points   | 2  |

## Material information

|  |    |
|--|----|
| Insulation material                          | PA |
| Insulation material group                    | I  |
| Flame retardant rating , compliant with UL94 | V0 |

Insulation resistance

 $\geq 500\text{M}\Omega$  at DC 500V

## Connection data-IEC

|   |         |
|---|---------|
| Rated voltage (V)   | 1000    |
| Rated current (A)   | 24      |
| Rated voltage (III/3)(V)  | 1000    |
| Rated impulse voltage (II/2)(KV)  | 8       |
| Rated impulse voltage (III/2)(KV)   | 8       |
| Rated impulse voltage (III/3)(KV)   | 8       |
| Conductor cross section solid. min (mm <sup>2</sup> )   | 0.34    |
| Conductor cross section solid.max (mm <sup>2</sup> )  | 2.5     |
| Conductor cross section stranded. min (mm <sup>2</sup> )  | 0.34    |
| Conductor cross section stranded. max (mm <sup>2</sup> )  | 2.5     |
| Conductor cross section flexible, with min ferrule without plastic sleeve (mm <sup>2</sup> )              | 0.34    |
| Conductor cross section flexible, with max ferrule without plastic sleeve (mm <sup>2</sup> )              | 2.5     |
| Conductor cross section flexible, with min ferrule with plastic sleeve (mm <sup>2</sup> )                 | 0.34    |
| Conductor cross section flexible, with max ferrule with plastic sleeve (mm <sup>2</sup> )                 | 2.5     |
| 2 conductors with same cross section, solid, min (mm <sup>2</sup> )                                       | 0.34    |
| 2 conductors with same cross section, solid, max (mm <sup>2</sup> )                                       | 2.5     |
| 2 conductors with same cross section, stranded, min (mm <sup>2</sup> )                                    | 0.34    |
| 2 conductors with same cross section, stranded, max (mm <sup>2</sup> )                                    | 2.5     |
| 2 conductors with same cross section flexible, with min ferrule without plastic sleeve (mm <sup>2</sup> ) | 0.5     |
| 2 conductors with same cross section flexible, with max ferrule without plastic sleeve (mm <sup>2</sup> ) | 1.5     |
| 2 conductors with same cross section flexible, min twin ferrules with plastic sleeve (mm <sup>2</sup> )   | 0.5     |
| 2 conductors with same cross section flexible, max twin ferrules with plastic sleeve (mm <sup>2</sup> )   | 1.5     |
| Screw thread  | M2.5    |
| Slotted screwdriver size (Blade thickness x Width)(mm)  | 0.6x3.5 |
| Philips screwdriver size  | PH0     |
| Rated torque (N.m)  | 0.4     |

|                          |       |
|--------------------------|-------|
| Stripping Length (mm)    | 9~11  |
| Mounting rail            | TS-35 |
| End cover plate required | YES   |
| Grounding connections    | NO    |

## Connection data-UL

|  |     |
|--|-----|
| Rated voltage (UL/CUL Group B)(V)                | 600 |
| Rated current (UL/CUL Group B)(A)                | 20  |
| Rated voltage (UL/CUL Group C)(V)                | 600 |
| Rated current (UL/CUL Group C)(A)                | 20  |
| Rated voltage (UL/CUL Group D)(V)                | 600 |
| Rated current (UL/CUL Group D)(A)                | 5   |
| Min. solid wire connection (AWG) acc. to UL/CUL  | 22  |
| Max. solid wire connection AWG acc. to UL/CUL    | 12  |
| Min. stranded wire connection AWG acc. to UL/CUL | 22  |
| Max. stranded wire connection AWG acc. to UL/CUL | 12  |

## Environment & Safety

|   |     |
|---|-----|
| Back of the hand protection (YES or NO) | YES |
| Finger protection (YES or NO)           | YES |
| Operating temperature. max (°C)         | 120 |
| Operating temperature. min (°C)         | -40 |

## UL Recognized

|                            |       |
|----------------------------|-------|
| Wire Range (Group B)(AWG)  | 22~12 |
| Rated voltage (Group B)(V) | 600   |
| Rated current (Group B)(A) | 20    |
| Wire Range (Group C)(AWG)  | 22~12 |
| Rated voltage (Group C)(V) | 600   |
| Rated current (Group C)(A) | 20    |
| Wire Range (Group D)(AWG)  | 22~12 |
| Rated voltage (Group D)(V) | 600   |
| Rated current (Group D)(A) | 5     |

## CUL Recognized

|                            |       |
|----------------------------|-------|
| Wire Range (Group B)(AWG)  | 22~12 |
| Rated voltage (Group B)(V) | 600   |
| Rated current (Group B)(A) | 20    |
| Wire Range (Group C)(AWG)  | 22~12 |
| Rated voltage (Group C)(V) | 600   |
| Rated current (Group C)(A) | 20    |
| Wire Range (Group D)(AWG)  | 22~12 |
| Rated voltage (Group D)(V) | 600   |
| Rated current (Group D)(A) | 5     |

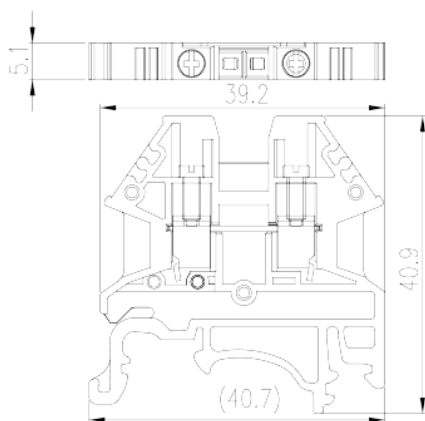
### VDE Approval

|                               |          |
|-------------------------------|----------|
| Wire Range (mm <sup>2</sup> ) | 0.34~2.5 |
| Rated voltage (V)             | 1000     |
| Rated current (A)             | 24       |

### Explosion - proof Approvals

|                               |          |
|-------------------------------|----------|
| Wire Range (mm <sup>2</sup> ) | 0.34~2.5 |
| Rated voltage (V)             | 1000     |
| Rated current (A)             | 24       |

### Drawings



### Approvals

