

Data sheet

Commercial Art.No.: 96.053.4053.1

Connector RST20i5S B1 YR1 SW

RST20i5 connector (90° angled), 5 pole, female, screw connection, application 250/400V with PE, 20A, for cable diameters 6-10mm, coding color black, color of housing black



Commercial Art.No.	96.053.4053.1
EAN	4049088000515
Order Unit	1

Certificates / Approvals



Technical data

General

Rated current	20 A
Rated voltage	250 V / 400 V
Rated impulse voltage	4 kV
strain relief	yes
Pollution degree	3
Lockable	self-locking (unlocking by tool)
Color of coding/ contact carrier	black
Marking of poles	1, 2, 3, N, PE
Color of housing inclusive strain relief	black

Connection Data

Cable diameter max.	10 mm
Cable diameter min.	6 mm
Connection cross section solid mm ² max.	4 mm ²
Connection cross section solid mm ² min.	0.75 mm ²
Connection cross section solid AWG min.	18 AWG
Connection cross section solid AWG max.	14 AWG
Connection cross section fine stranded mm ² max.	4 mm ²
Connection cross section fine stranded mm ² min.	0.75 mm ²
Terminations per pole	1
Connection cross section stranded mm ² min.	0.75 mm ²
Connection cross section stranded mm ² max.	4 mm ²
Connection cross section stranded AWG min.	18 AWG
Connection cross section stranded AWG max.	14 AWG

sheath strip length	26.5 mm
Wire strip length	8 mm

Model

Model	female
Connection type	screw connection
Degree of protection (IP)	IP66/68 (3m;2h) /IP69

Material

Housing material	Polyamide
halogen free	yes
Contact material	CuZn
Fire load	0.323 kWh
Insulation components continuous temperature	100 °C
Surface finish	Silver-plated

Dimensions

Length	73.4 mm
Width	34.6 mm
Height	62.3 mm

Classification

ECLASS 11	
ECLASS 8.1	27440605
ETIM 7.0	EC002560
ETIM 6.0	EC002560
ETIM 5.0	EC002560
ETIM 4.0	EC002560

Note

Note	RST® terminals with screw clamping allow the connection of conductors without special preparation (without ferrules) according to EN 60999-1.
------	---

Product compliance

ROHS conformity status	Compliant/Exempted
ROHS exceptions	III-6(c)
REACH-SVHC conformity status	Duty-To-Declare
REACH-SVHC substances	Lead
REACH-SVHC CAS numbers	7439-92-1

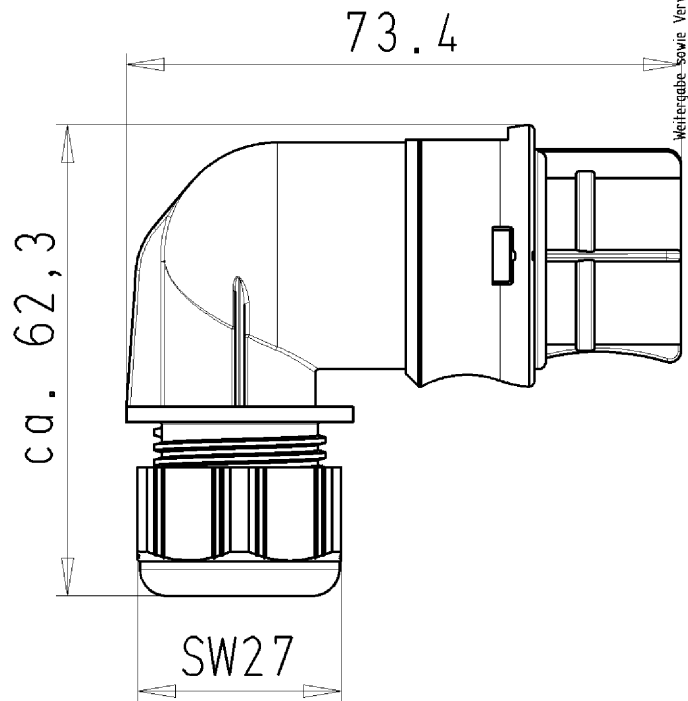
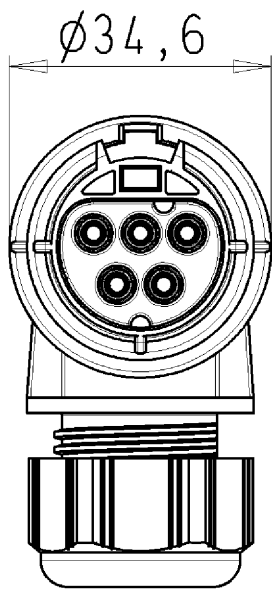
Accessories

Commercial Art.No.:	Article-type description:	Description:
99.530.0000.7	Cover for female connector SW	RST20i5/4 cover piece, for covering unused female connectors, with fastening belt, color black
Z5.565.9853.1	Cover for female connector SW	RST20i5/4 cover piece, for covering unused female connectors, color black

05.564.8653.1	Opener RST20i3/i5 SCHWARZ	Manual disconnect for later installation of RST connectors, color black
---------------	---------------------------	---

Fits with

Commercial Art.No.:	Article-type description:	Description:
96.050.0153.1	Distributor RST20i5B 3P1 F VG SW	RST20i5 compact distribution unit, 5 pole, application 250/400V with PE, 20A, 1 input and 3 outputs, with fastening option, coding color black, color of housing black
96.052.4053.1	Connector RST20i5S S1 ZR1 V SW	RST20i5 connector, 5 pole, male, screw connection, application 250/400V with PE, 20A, for cable diameters 6-10mm, coding color black, color of housing black
96.052.5053.1	Device connector RST20i5S S1 M01V SW	RST20i5 device connector M25, 5 pole, male, screw connection, application 250/400V with PE, 20A, coding color black
96.052.6153.1	Device connector RST20i5S S1 M03V SW	RST20i5 device connector M16, 5 pole, male, screw connection, modular, application 250/400V with PE, 20A, coding color black, color of housing black
96.052.6053.1	Device connector RST20i5S S1 M00V SW	RST20i5 device connector M20, 5 pole, male, screw connection, modular, application 250/400V with PE, 20A, coding color black, color of housing black
96.054.6053.1	Device connector RST20i5S S1 M90V SW	RST20i5 device connector (90° angled) M20, 5 pole, male, screw connection, modular, application 250/400V with PE, 20A, coding color black, color of housing black
96.054.6253.1	Device connector RST20i5S S1 M91V SW	RST20i5 device connector (90° angled) M25, 5 pole, male, screw connection, modular, application 250/400V with PE, 20A, coding color black, color of housing black
96.056.6153.1	Device connector RST20i5S S1 M13V SW	RST20i5 device connector (7° angled) M16, 5 pole, male, screw connection, modular, application 250/400V with PE, 20A, coding color black, color of housing black



Weitergabe sowie Vervielfältigung dieses Dokuments, Verwertung und Mitteilung seines Inhalts sind verboten, soweit nicht ausdrücklich gestattet. The reproduction, distribution and utilization of this document as well as the communication of its contents to others without express authorization is prohibited.

BUCHSENTEIL MIT ZUGENTLASTUNG 90GRAD
96.053.4053.0 10W
 10.03.09 KIR
 M 1:1