

Data sheet

Commercial Art.No.: 96.050.3153.1

Distributor RST20i5B 2G1 F G 1SW

RST20i5 compact distribution unit for phase selection L1, 5 pole, application 250/400V with PE, 20A, 1 input and 2 outputs, with fastening option, coding color black, color of housing black



| | |
|--------------------|---------------|
| Commercial Art.No. | 96.050.3153.1 |
| EAN | 4015573936478 |
| Order Unit | 1 |

Certificates / Approvals



Technical data

General

| | |
|---|----------------------------------|
| Rated current | 20 A |
| Rated voltage | 250 V / 400 V |
| Rated impulse voltage | 4 kV |
| Pollution degree | 3 |
| Lockable | self-locking (unlocking by tool) |
| Color of coding/ contact carrier | black |
| Color of separate housing (only for modular versions) | black |
| Marking of poles | 1, 2, 3, N, PE |

Model

| | |
|---------------------------|-----------------------|
| Number of inputs | 1 |
| Number of outputs | 2 |
| Type of fastening | yes |
| Degree of protection (IP) | IP66/68 (3m;2h) /IP69 |
| Type of distributor | Compact distributor |

Material

| | |
|--|---------------|
| Housing material | Polyamide |
| halogen free | yes |
| Contact material | CuZn |
| Fire load | 1.842 kWh |
| Insulation components continuous temperature | 100 °C |
| Surface finish | Silver-plated |

Dimensions

| | |
|--------|--------|
| Length | 162 mm |
|--------|--------|

| | |
|--------|---------|
| Width | 104 mm |
| Height | 57.2 mm |

Classification

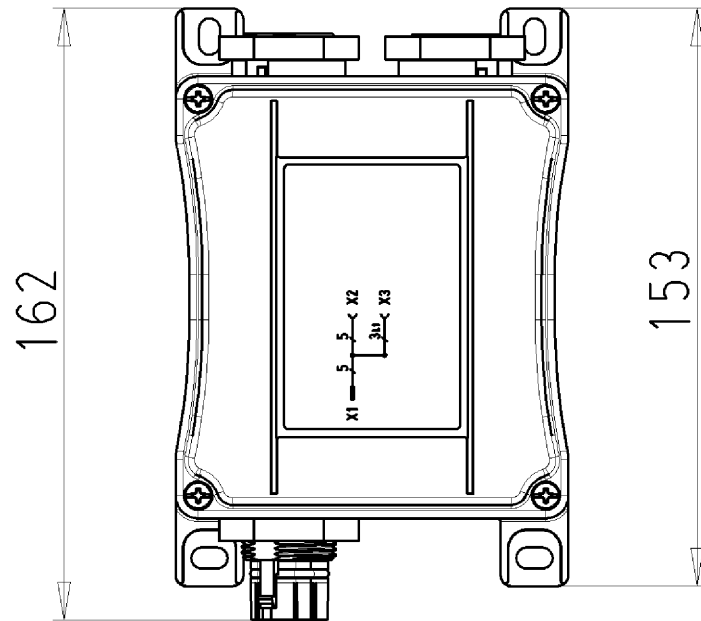
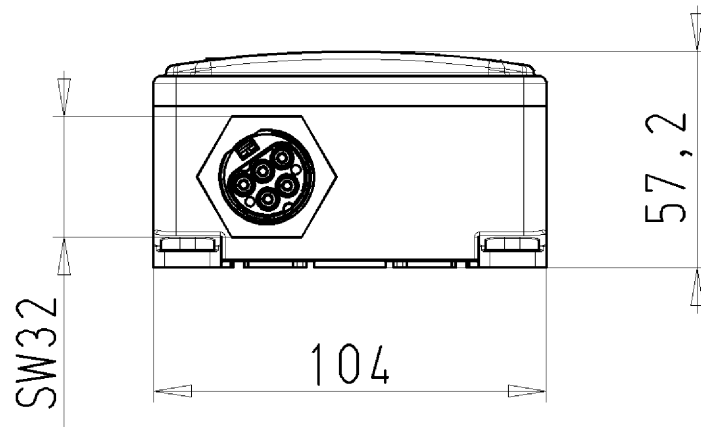
| | |
|------------|----------|
| ECLASS 11 | |
| ECLASS 8.1 | 27440603 |
| ETIM 7.0 | EC002567 |
| ETIM 6.0 | EC002567 |
| ETIM 5.0 | EC002567 |
| ETIM 4.0 | EC002567 |

Product compliance

| | |
|------------------------------|--------------------|
| ROHS conformity status | Compliant/Exempted |
| ROHS exceptions | III-6(c) |
| REACH-SVHC conformity status | Duty-To-Declare |
| REACH-SVHC substances | Lead |
| REACH-SVHC CAS numbers | 7439-92-1 |

Accessories

| Commercial Art.No.: | Article-type description: | Description: |
|---------------------|-------------------------------|--|
| 05.565.9953.1 | Cover for male connector SW | RST20i5/4 cover piece, for covering unused male connectors, color black |
| 99.530.0000.7 | Cover for female connector SW | RST20i5/4 cover piece, for covering unused female connectors, with fastening belt, color black |
| 99.532.0000.7 | Cover for male connector SW | RST20i5/4 cover piece, for covering unused male connectors, with fastening belt, color black |
| Z5.565.9853.1 | Cover for female connector SW | RST20i5/4 cover piece, for covering unused female connectors, color black |



VERTEILERBOX
 96.050.3153.1 10W
 07.04.2008 Weisensel F.
 M1:2

Weitergabe sowie Vervielfältigung dieses Dokuments, Verwertung und Mitteilung seines Inhalts sind verboten, soweit nicht ausdrücklich gestattet. Die Reproduktion, Distribution und Utilization of this document as well as the communication of its contents to others without express authorization is prohibited.