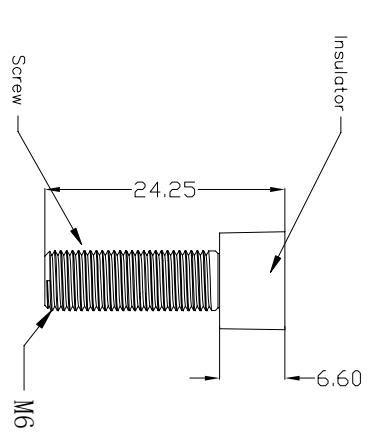
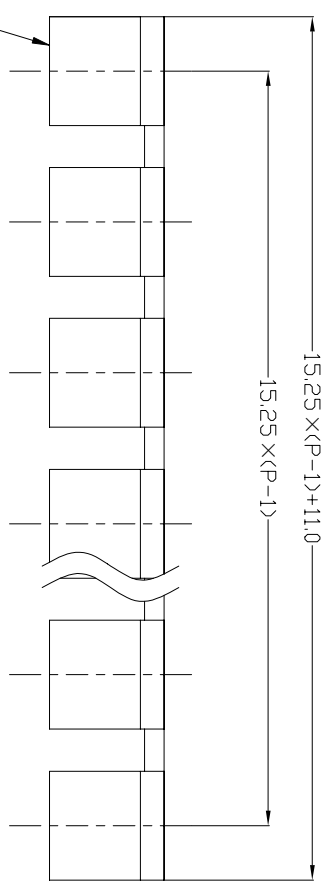
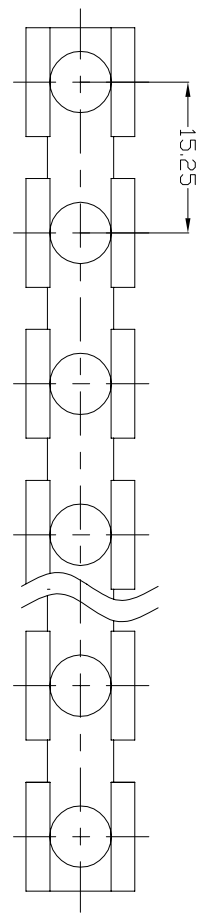


REVISION RECORD				
REV	ECN	DESCRIPTION	DRAFT	DATE

Transmittal, reproduction, dissemination and/or editing of this document as well as utilization of its contents and communication thereof to others without express authorization are prohibited.

未经允许禁止传输、复制、编辑该文档，以及利用其内容进行交流



Material:	Insulator	Conductor	Screw
PA66	Copper alloy	Steel	Ni plated

General Information:

1. Dimension shall be interpreted per ASME Y14.5-2009
2. Operating temperature: -40°C ~ +105°C
3. RoHS Compliance
4. Undimensioned Tolerances:

mm	Pitch Range		In mm		Nominal Dimension		Range	
	Over	To	Over	To	Over	To	Over	To
6	10	24	30	60	100	150	0.1/10	±2°
10	24	30	60	100	150	150		

订货信息 Order Info

订货号	位数
PART NUMBER	POLES
335302	335302
335303	335303
335304	335304
...	...
335310	335310

订货号	3353XX	名称	3353XX 跨接桥	公差	表面
Order No	3353XX	Name	3353XX 跨接桥	Tolerances	Surface
Item	Signature	图号	PRM003110	Table	VDI21
Design	sw	Drawing No.	PRM003110	版本号	Revision Number
Design	df	Material	Notes	M1	重量
Design	df	Material	Notes	M1	Weight
Process	-	物料号	411040351	第1页/共1页	1 of 1
Standardization	-	Item No.	411040359	1 of 1	1 of 1
Approval	xj	物料号	411040359	1 of 1	1 of 1
Approve	07/06/22"	物料号	411040359	1 of 1	1 of 1

普通零件登记	Common Part
原图号	Old Draw. No.
底图总号	Assembly No.

1 2 3 4 5 6 7 8