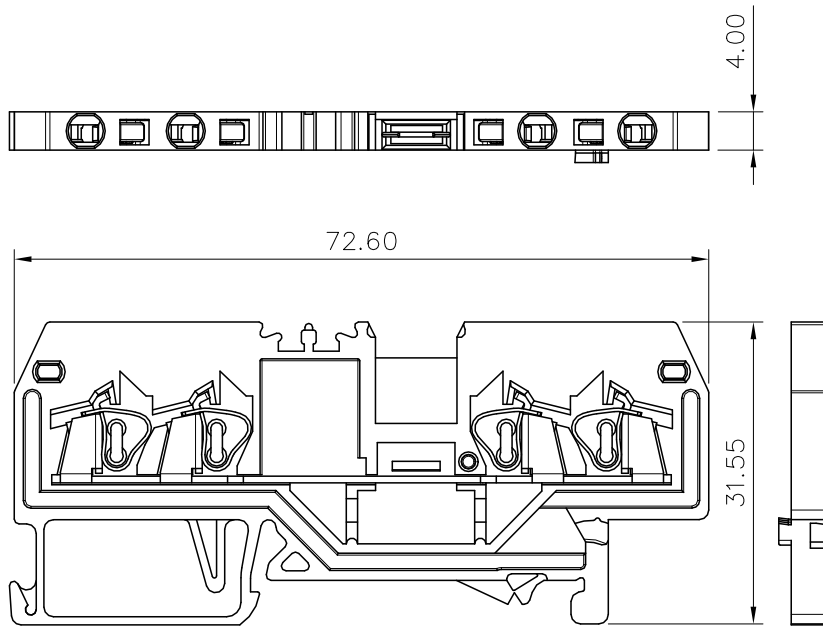


Transmittal, reproduction, dissemination and/or editing of this document as well as utilization of its contents and communication thereof to others without express authorization are prohibited.

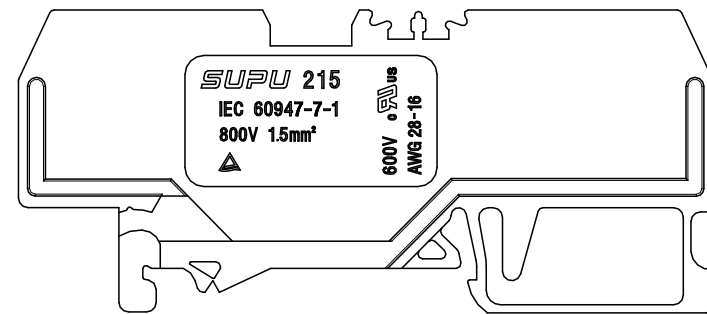
未经允许禁止传输、复制、编辑该文档， 以及利用其内容进行交流

REVISION RECORD				
REV	ECN	DESCRIPTION	DRFT	DATE



Connection method:

1. For Solid wire, peeling wire in right length, push down spring to clapthe wire.
2. For stranded wire, connect directly after peeling in right length, or wire furruled and fix in by pushingthe spring.



HOW TO ORDER:

21593 X
 | Series No. | Color:
 | | 1: Gray
 | | 2: Orange
 | | 3: Red
 | | 4: Blue
 | | 5: Yellow

NOTES:

UL/CUL Standard

1. Conductor cross section : 28~16AWG
2. Rated Voltage/Current :

Use group	B	C	D
Rated voltage(V)	600	600	
Rated current(A)	10	10	

IEC Standard

1. Conductor cross section :

Wire range(Solid/Stranded)	0.2-1.5mm ²
Solid	0.2-1.5mm ²
Stranded	0.2-1.5mm ²
Stranded with ferrules without plastic sleeve	0.2-1mm ²
Stranded with ferrules with plastic sleeve	0.2-1mm ²

2. Rated Voltage/Current :

Surge voltage category	III
Pollution degree	3
Rated surge voltage(KV)	8
Rated voltage(V)	800
Rated current(A)	18

Material:

Insulator	PA66	UL94 V-0
Conductor	Copper alloy	Sn plated
Spring	Stainless steel	

General information:

1. Dimension shall be interpreted per ASME Y14.5-2009
2. Stripping length : 8-9mm
3. Operating temperature: -40°C~+105°C
4. RoHS Compliance
5. Undimensioned Tolerances:

Pitch Range In mm	Nominal Dimension Range In mm	±	□				
Over 6 TO 10	Over 30 TO 60	Over 100 TO 150	Over 150	0.1/10			
±0.15	±0.20	±0.30	±0.50	±0.70	±1.00	±1.30	±2'

订货号 Order No.	21593X		名称 Name	21593X 4通道正 面接线端子	未注公差 Tolerance	表面 Surface	
项目 Item	签字 Signature	日期 Date	图号 Drawing No.	PRM000122	Tolerances Table	VDI21	
设计 Design	df	04/30/20"	材料 Material	Notes	版本号 Revision Number	重量 Weight	比例 Scale
审核 Check	cw	04/30/20"	物料号 Item No.	411005001	M0	/	1:1
工艺 Process	-	-		411005001	第1页/共1页 1 of 1	mm	
标准化 Unify	-	-		...	SUPU 宁波盛普电子有限公司 NINGBO SUPU ELECTRONICS CO.,LTD.		
批准 Approve	lw1	04/30/20"		411005005			

借通用件登记
Common Part

原图号
Old Draw. No.

底图总号
Assembly No.

1

2

3

4

5

6

7

8

A

B

C

D

E

F