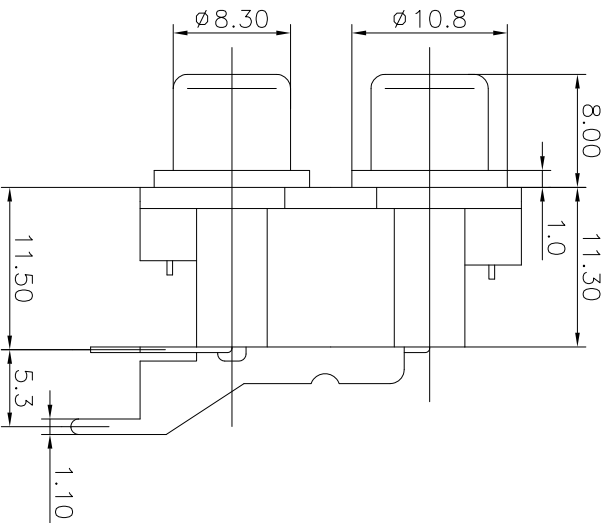
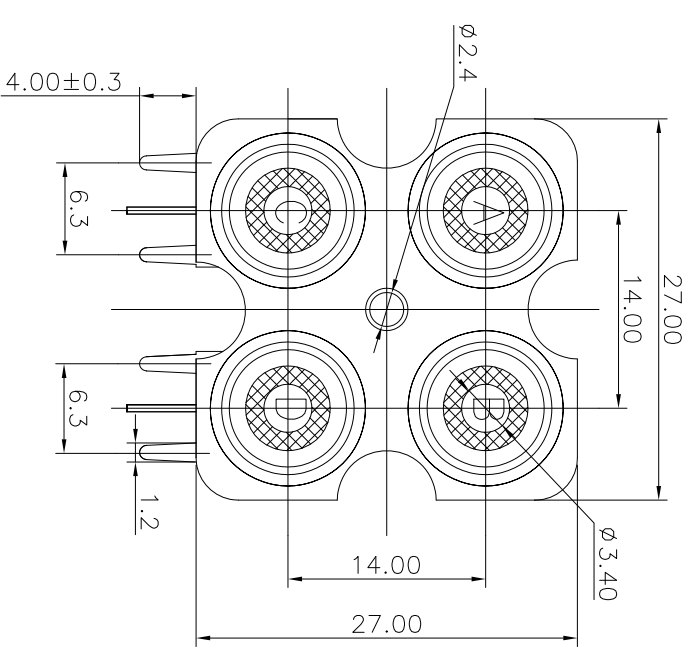
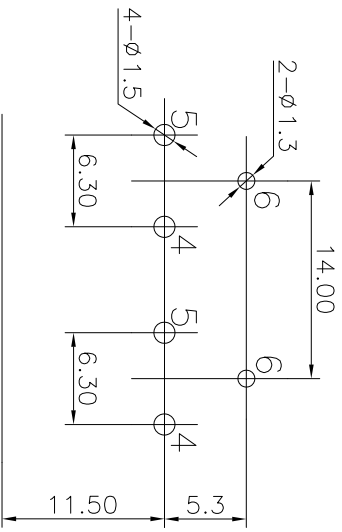


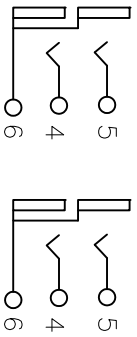
REV.	ECN NO.	MODIFIED MARK	APPROVED
A		FIRST RELEASE	



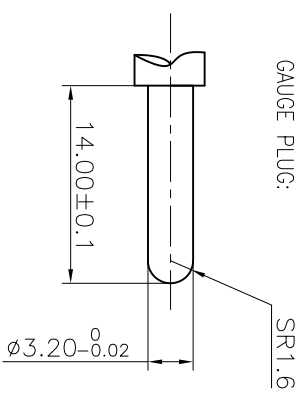
- NOTES:
- ELECTRICAL:
- 1: RATED CURRENT: 0.2A Max.
 - 2: RATED VOLTAGE: 50V AC.
 - 3: CONTACT RESISTANCE: 30 MILLIOHMS Max.
 - 4: INSULATION RESISTANCE: 100 MEGAOHMS Min.
 - 5: DIELECTRIC WITHSTANDING VOLTAGE: 500 VAC Min.
- MECHANICAL:
- 1: INSERTION FORCE: 3N-30N.
 - 2: WITHDRAWAL FORCE: 3N-30N.
 - 3: DURABILITY: 100 CYCLES.
- ENVIRONMENTAL:
- TEMPERATURE RANGE: -20°C TO 60°C.



PCB LAYOUT
TOP VIEW



SCHEMATIC



GAUGE PLUG:

ANGLE	±5°
63 < L	±0.5
16 < L ≤ 63	±0.4
4 < L ≤ 16	±0.3
L ≤ 4	±0.2

TOL TABLE:

THIS DOCUMENT IS THE PROPERTY OF
THERMO TECHNOLOGY CO., LTD., NO PART
HEREOF MAY BE REPRODUCED AND
USED WITHOUT THE PRIOR WRITTEN
CONSENT OF THE OWNER

MODEL NAME: RCA-407 (PART NO.)		TITLE: RCA PIN JACK	
DESIGN: X.H.Wang 11/02'18		DWG NO.:	
CHECKED: L.W.Wu 11/02'18		REV.: A	
Q'TY: /	APPROVED: X.Q.Hu 11/02'18	UNIT: mm	VIEW: 5:1
SCALE: SHEET: 1/1		SIZE: A3	