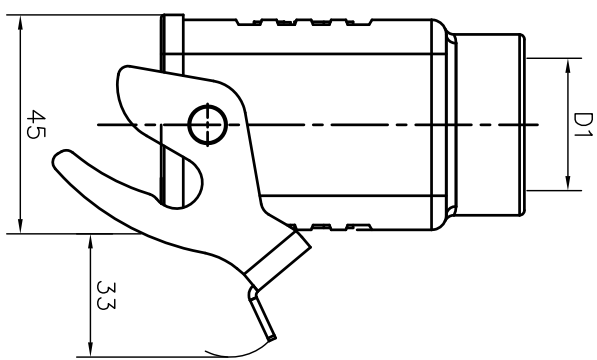
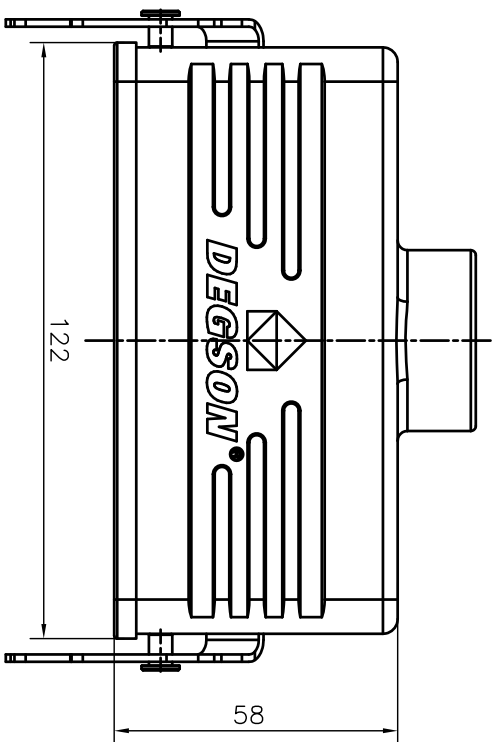
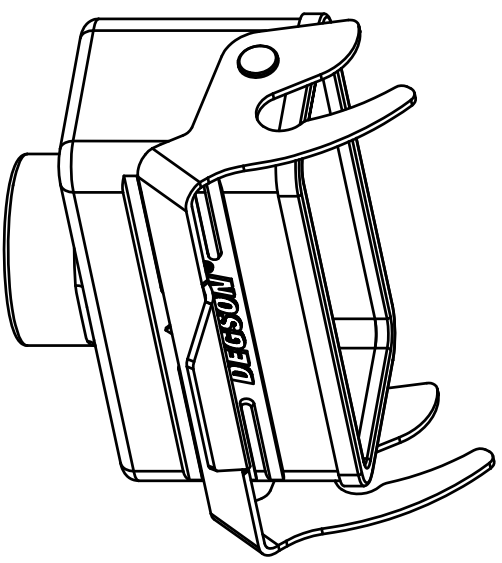


TYPE	Thread(D1)	Selection
D24B-CCT-1L-M25	M25	
D24B-CCT-1L-M32	M32	
D24B-CCT-1L-PG21	PG21	

REVISION RECORD			
REV	ECN	DESCRIPTION	DRFT DATE



**Housings Feature**

1. Material: aluminium die-cast
2. Surface: Powder-coated
3. Color: grey(RAL 7037)
4. Material: Metal (Lever)
5. Sealing: NBR
6. Limiting temperatures: -40°C ~ +125°C
7. Flammability acc to UL94:V0
8. Degree of protection acc.to EN60529 for coupled connector :IP65
9. Rohs compliance

DETACHED LISTS			
PART NO.:	/	NAME:	NINGBO DEGSON ELECTRICAL CO., LTD
Appd: Huang JS 2019.05.10		NINGBO DEGSON ELECTRICAL CO., LTD	宁波高松电子有限公司
CHKD: Yang SH 2019.05.10		TITLE: CUSTOMER DRAWING	D24B-CCT-1L-M/PG
DRFT: Lu JK 2019.05.10		DRAWING NO.:	REV
		DO NOT SCALE DRAWING	DO
		SCALE	1:1.5

A 8 7 6 5 4 3 2 1