

Data sheet

Commercial Art.No.: 96.152.0153.1

Connector RST20i5C S1 ZR2 V SW

RST20i5 connector, 5 pole, male, for crimp contacts, application 250/400V with PE, 20A, for cable diameters 10-14mm, coding color black, color of housing black



Commercial Art.No.	96.152.0153.1
EAN	4015573932883
Order Unit	1

Certificates / Approvals



Technical data

General

Rated current	20 A
Rated voltage	250 V / 400 V
Rated impulse voltage	4 kV
strain relief	yes
Pollution degree	3
Lockable	self-locking (unlocking by tool)
Color of coding/ contact carrier	black
Marking of poles	1, 2, 3, N, PE
Color of housing inclusive strain relief	black

Connection Data

Cable diameter max.	14 mm
Cable diameter min.	10 mm
Connection cross section fine stranded mm ² max.	4 mm ²
Connection cross section fine stranded mm ² min.	0.75 mm ²
Terminations per pole	1
Connection cross section stranded AWG min.	18 AWG
Connection cross section stranded AWG max.	12 AWG
sheath strip length	37 mm
Wire strip length	7 mm

Model

Model	male
Connection type	Crimp
Degree of protection (IP)	IP66/68 (3m;2h) /IP69

Material

Housing material	Polyamide
halogen free	yes
Contact material	CuZn
Fire load	0.279 kWh
Insulation components continuous temperature	100 °C
Surface finish	Silver-plated

Dimensions

Length	78.4 mm
Width	34.6 mm
Height	34.6 mm

Classification

ECLASS 11	
ECLASS 8.1	27440605
ETIM 7.0	EC002560
ETIM 6.0	EC002560
ETIM 5.0	EC002560
ETIM 4.0	EC002560

Note

Note	Crimp contacts have to ordered separately (under fits with)
------	---

Product compliance

ROHS conformity status	Compliant
REACH-SVHC conformity status	Compliant

Accessories

Commercial Art.No.:	Article-type description:	Description:
05.545.0021.8	Male contact CRIMP RST20i4/i5 1,0QMM	RST20i5/4 crimp contact, male, 20A, for cross section 0.75-1.0 mm ² /AWG17
05.545.0121.8	Male contact CRIMP RST20i4/i5 1,5QMM	RST20i5/4 crimp contact, male, 20A, for cross section 1.5 mm ² /AWG16
05.545.0221.8	Male contact CRIMP RST20i4/i5 2,5QMM	RST20i5/4 crimp contact, male, 20A, for cross section 2.5 mm ² /AWG14
05.545.0321.8	Male contact CRIMP RST20i4/i5 4,0QMM	RST20i5/4 crimp contact, male, 20A, for cross section 4.0 mm ² /AWG12
05.565.9953.1	Cover for male connector SW	RST20i5/4 cover piece, for covering unused male connectors, color black
99.532.0000.7	Cover for male connector SW	RST20i5/4 cover piece, for covering unused male connectors, with fastening belt, color black

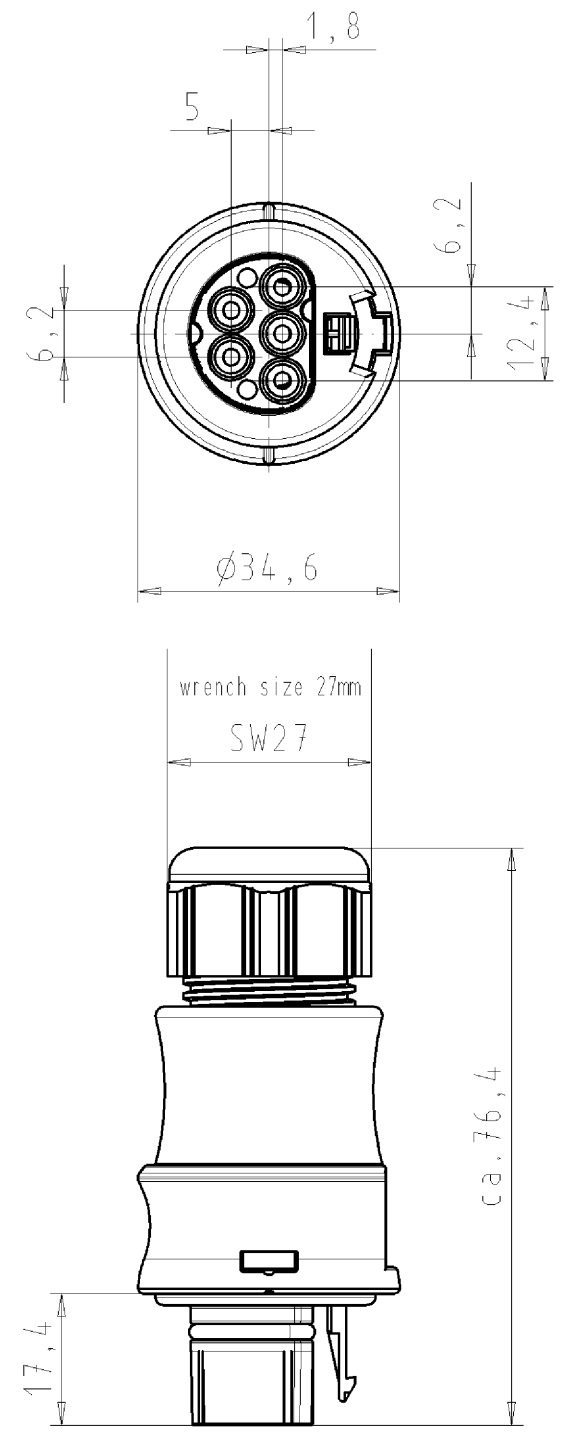
Fits with

Commercial Art.No.:	Article-type description:	Description:
96.151.0153.1	Connector RST20i5C B1 ZR2 SW	RST20i5 connector, 5 pole, female, for crimp contacts, application 250/400V with PE, 20A, for cable diameters 10-14mm, coding color black, color of housing black

96.153.0153.1	Connector RST20i5C B1 YR2 SW	RST20i5 connector (90° angled), 5 pole, female, for crimp contacts, application 250/400V with PE, 20A, for cable diameters 10-14mm, coding color black, color of housing black
96.151.1053.1	Device connector RST20i5C B1 M01 SW	RST20i5 device connector M25, 5 pole, female, for crimp contacts, application 250/400V with PE, 20A, coding color black
96.151.2153.1	Device connector RST20i5C B1 M03 SW	RST20i5 device connector M16, 5 pole, female, for crimp contacts, modular, application 250/400V with PE, 20A, coding color black, color of housing black
96.151.2053.1	Device connector RST20i5C B1 M00 SW	RST20i5 device connector M20, 5 pole, female, for crimp contacts, modular, application 250/400V with PE, 20A, coding color black, color of housing black
96.153.2053.1	Device connector RST20i5C B1 M90 SW	RST20i5 device connector (90° angled) M20, 5 pole, female, for crimp contacts, modular, application 250/400V with PE, 20A, coding color black, color of housing black
96.153.2253.1	Device connector RST20i5C B1 M91 SW	RST20i5 device connector (90° angled) M25, 5 pole, female, for crimp contacts, modular, application 250/400V with PE, 20A, coding color black, color of housing black

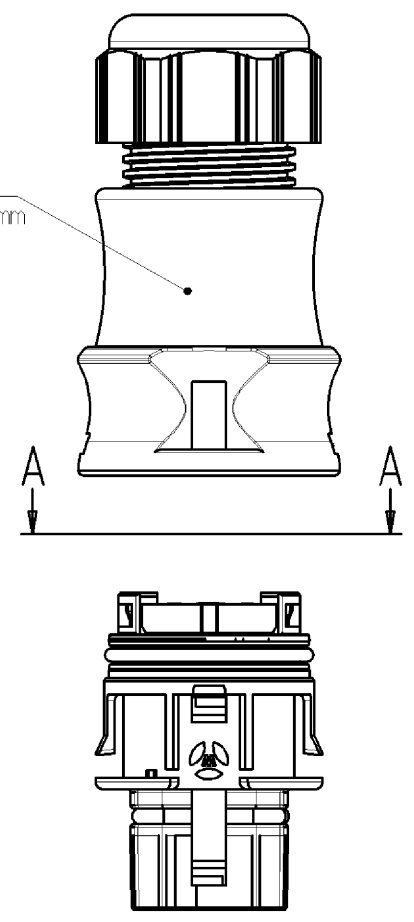
These dimensions will be especially checked at delivery
 Only inspection dimensions
 With /E marked dimensions are only valid for internal use

Diese Maße werden bei Abnahme besonders geprüft
 Ausschließlich Prüfmaße
 Mit /E gekennzeichnete Maße sind nur für interne Zwecke gültig

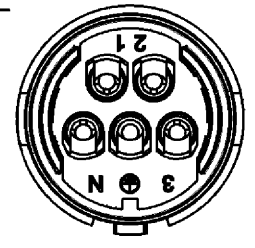


Auslieferungszustand delivery status

für Kabeldurchm. 10-14mm
 for cable diameter 10-14mm



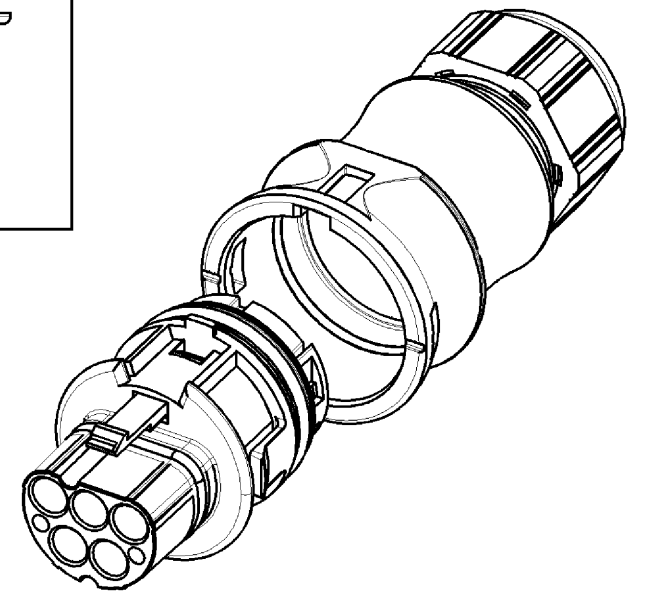
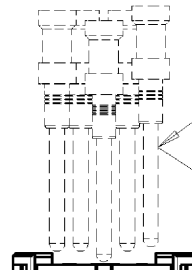
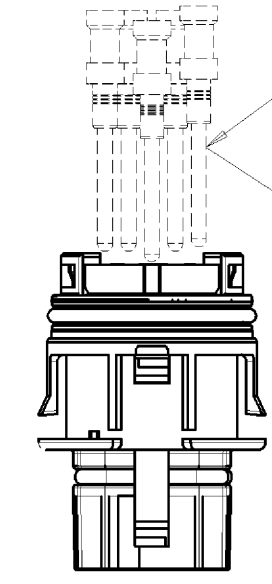
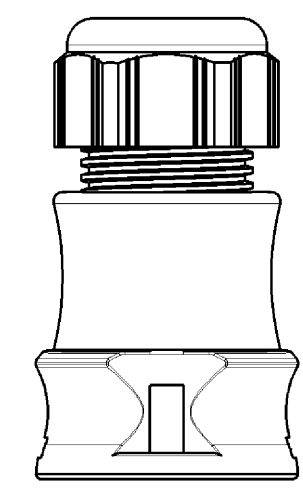
A-A



Verpackungseinheit: je 100 Stück
 packaging unit: per 100

Teile-Nr./ part-nr.	Farbe:/ color:	Type
96.152.0153.1	schwarz, ähnl. RAL 9005/ black, similar to RAL 9005	RST2015C S1 ZR2 V SW
96.152.0153.0	lichtgrau, ähnl. RAL 7035/ lightgrey, similar to RAL 7035	RST2015C S1 ZR2 V GL

Bestellhinweis order info



Bitte separat bestellen:
 Steckerkontakte
 05.545.00/01/02/0321.8

female contact
 05.545.00/01/02/0321.8
 must be ordered separately

Weitergabe sowie Vervielfältigung dieses Dokuments, Verwertung und Mitteilung seines Inhalts sind verboten, soweit nicht ausdrücklich gestattet.
 The reproduction, distribution and utilization of this document as well as the communication of its contents to others without express authorization is prohibited.

Tolerierung nach DIN 7167/Tolerance system acc. to DIN 7167. (This DIN-standard describes the envelope principle. According to the envelope principle the deviations of form and parallelism are limited by the size tolerances).		ja/yes <input checked="" type="checkbox"/> Stoffverbots- und Deklarationsliste nach UU-TQM-05/03 ist einzuhalten. Conformity with Wieland document UU-TQM-05/03 (list of prohibited / declarable hazardous substances) to be declared!	
Freitoleranz nach General tolerance	CAD - Zeichnung, keine manuellen Änderungen CAD - drawing, no manual modifications allowed	1. Verwendung: First Use:	Blatt: 1 von 1 Sheet: of 1
Werkstoff/Material	2006 Tag/Date Name	Zeichnung Nr./Drawing No.	
	gezeichnet drawn 24.08. Kneitz	T 96.152.0153.0 01K	
Maßstab/Scale	geprüft checked - -	Index	
1:1	Normgepr. Stand. check - -	Maße in mm/Dimensions are in mm	
Vol.	mm ³ Öl./Surf. mm ²	Ersatz für/Replacement for: -	
wieland		Type	Benennung/Title
Elektrische Verbindungen		STECKERTEIL_MIT_ZUGENTLASTUNG	
Index Datum / Blatt Date / Sheet		male connector with cord grip für Crimpschluss/for crimp barrel Standardkädierung 0/standard-keying 0 (400V/250V/20A)	
Änderung/Revision			