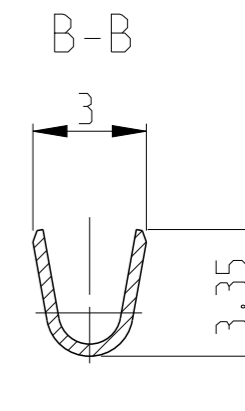
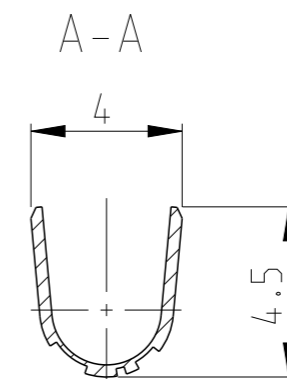
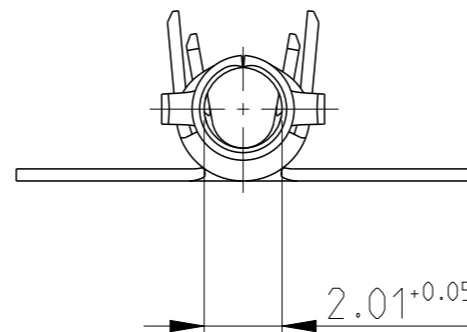
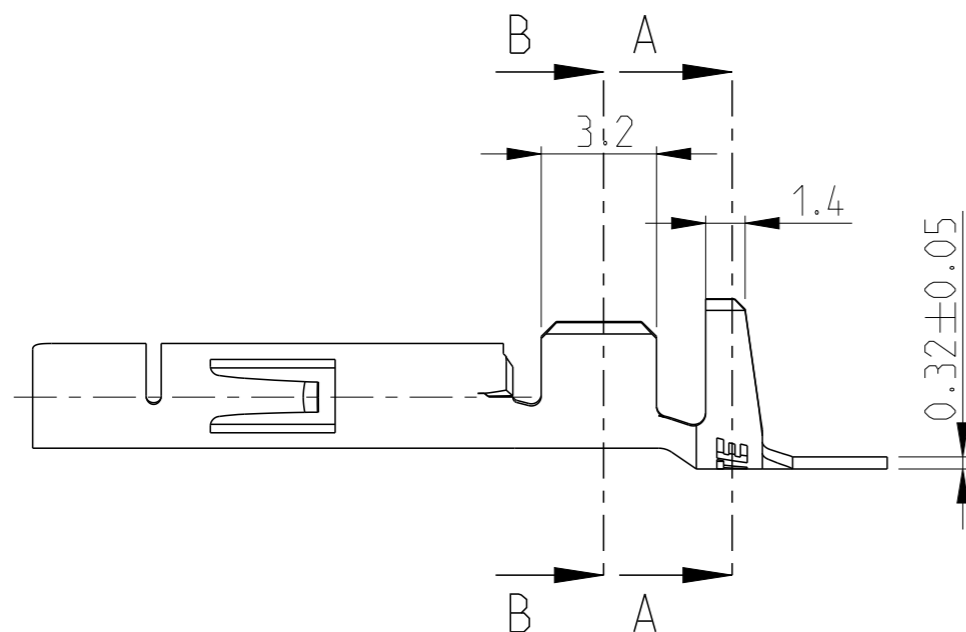


THIS DRAWING IS UNPUBLISHED. RELEASED FOR PUBLICATION 2005  
 © COPYRIGHT 2005 BY - ALL RIGHTS RESERVED.

REVISIONS

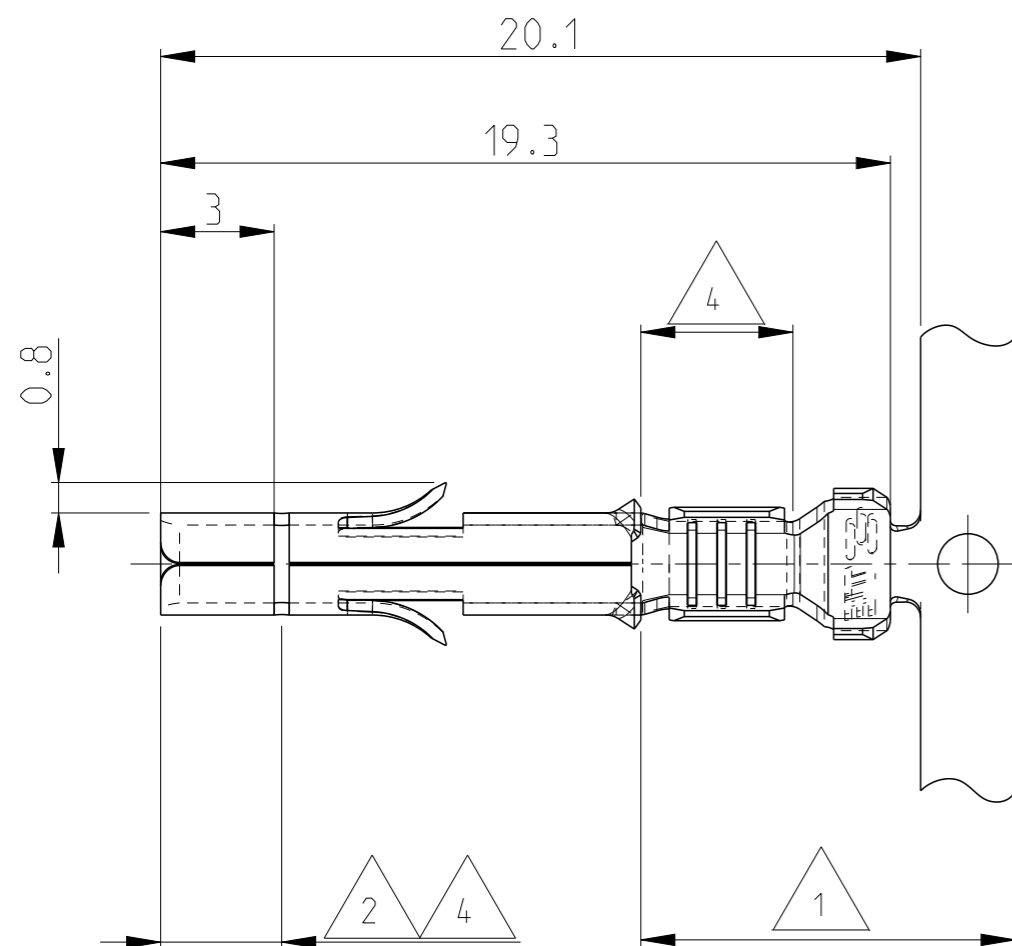
P	LTR	DESCRIPTION	DATE	DWN	APVD
	M6	REVISED PER ECR-18-010208	31JUL2018	BDA	SF



NOTES:

Bemerkungen:

- 1 2-6 µm Sn OVER Ni IN CRIMP-AREA  
2-6 µm Sn über Ni in der Crimpzone
- 2 0.8 µm Au OVER Ni IN CONTACT-AREA  
0.8 µm Au über Ni in der Kontaktzone
- 3 SUITABLE FOR Ø1.0-2.5mm  
Für Isolations Ø1.0-2.5mm geeignet
- 4 0.8 µm Au OVER 1.3 µm Ni ON INSIDE OF WIRE BARREL AND CONTACT AREA  
0.8 µm Au über 1.3 µm Ni in der Drahtcrimp und Kontaktzonen, sonst 1.3 µm Ni



	107-3, FIG.2		926882-8	BRASS	PRE-TIN
SUPERSEDED BY 350536-7	407-3, FIG.1	926893-7	926884-7	BRASS	1 2
SUPERSEDED BY 350536-6	407-3, FIG.1	926893-6	926884-6	PHOS BRONZE	1 2
OBSOLETE	407-3, FIG.1	926893-5	926882-5	COPPER ALLOY	PRE-TIN
OBSOLETE	407-3, FIG.1	926893-4	926882-4	COPPER ALLOY	PLAIN
	107-3, FIG.1	926893-3	926882-3	PHOS BRONZE	PRE-TIN
SUPERSEDED BY 350536-2	407-3, FIG.1	926893-2	926882-2	BRASS	4
	107-3, FIG.1	926893-1	926882-1	BRASS	PRE-TIN
	REELING	LOOSE PIECE	PART NO.	MATERIAL	FINISH

THIS DRAWING IS A CONTROLLED DOCUMENT.		DWN J.Skoda 29NOV2005	TE Connectivity		
DIMENSIONS: mm		CHK R.Vlcek			
TOLERANCES UNLESS OTHERWISE SPECIFIED:		APVD M.Bleicher	NAME UNIVERSAL MNL Socket 0.5-2.1 mm SQUARE WIRE RANGE		
0 PLC ±0.2		PRODUCT SPEC 108-1031	SIZE		
1 PLC ±0.2		APPLICATION SPEC 114-18011	CAGE CODE		
2 PLC ±0.2		WEIGHT	DRAWING NO		
3 PLC ±			RESTRICTED TO		
4 PLC ±			A3 00779 C-926882		
ANGLES ±1°			SCALE		
FINISH			SHEET		
SEE TABLE			1 OF 1		
			REV		
			M6		