

## Data sheet

Commercial Art.No.: 92.258.4004.1

Cable assembly GST18i5KS-S 25 40SW

GST18i5 extension cable male - free end, length 4.0 m, 5 pole, coding mains 250 V/ 400 V, 20 A, coding color black, strain relief color black, cable color black, cross section 2.5 mm<sup>2</sup>, cable type H05VV-F, fire class: Eca



Commercial Art.No.	92.258.4004.1
EAN	4015573371354
Order Unit	1

Certificates / Approvals



## Technical data

### General

Rated current	20 A
Rated voltage	250 V / 400 V
Rated impulse voltage	4 kV
Pollution degree	2
Mechanical coding	Code 1
Lockable	self-locking (unlocking by tool)
Color of coding/ contact carrier	black
Marking of poles	3, N, PE, 2, 1
Color of housing inclusive strain relief	black

### Model

Nominal cross section conductor	2.5 mm <sup>2</sup>
Degree of protection (IP)	IP20
Wire strip length	9 mm
sheath strip length	35 mm
Preparation of conductor ends	ultrasonically compressed wire ends
Cable type	H05VV-F
Cable color	black
Cable diameter max.	12.1 mm
Version of cable	male - free end
Type of cord set	connection cable
Version cable end 1	free end

Version cable end 2	GST18i5 plug
---------------------	--------------

#### Material

Surface finish	Tin-plated
halogen free	No
Continuous temperature of cable	70 °C
Insulation components continuous temperature	100 °C
Fire load	3.397 kWh
Fire class	Eca

#### Dimensions

Total length	4 m
--------------	-----

#### Classification

ECLASS 11	
ECLASS 8.1	27440604
ETIM 7.0	EC002587
ETIM 6.0	EC002587
ETIM 5.0	EC002587
ETIM 4.0	EC002587

#### Product compliance

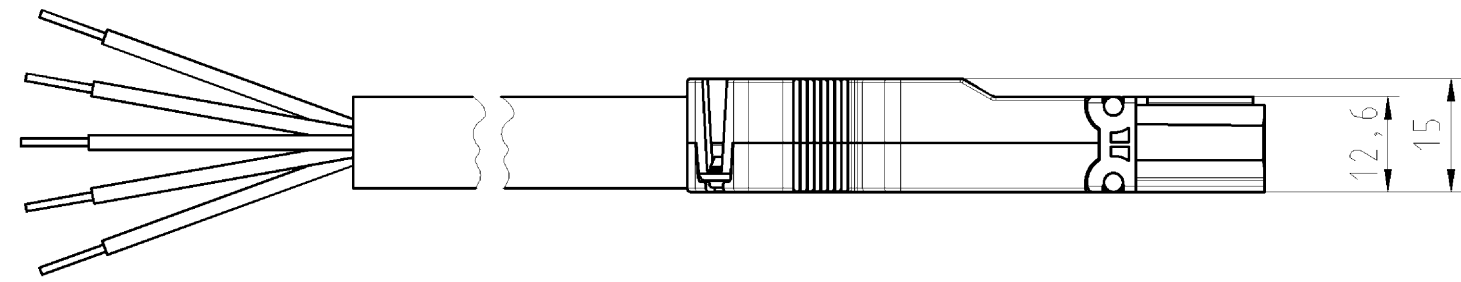
ROHS conformity status	Compliant/Exempted
ROHS exceptions	III-6(c)
REACH-SVHC conformity status	Duty-To-Declare
REACH-SVHC substances	Lead
REACH-SVHC CAS numbers	7439-92-1

#### Accessories

Commercial Art.No.:	Article-type description:	Description:
05.587.3156.0	Lock (G)ST18 WS	Locking device for cable to cable connection GST18i3-5, white
05.564.5353.0	cover cap GST18i3/4/5 SW	Cover piece 12 pole black for female parts GST18i3-6
05.564.5353.2	cover cap GST18i3/4/5 WS	Cover piece 12 pole white for female parts GST18i3-6
05.566.9253.0	cover cap GST18i5 BUCHSEN	Cover for female connectors GST18i5, black
05.587.3156.1	Lock (G)ST18 SW	Locking device for cable to cable connection GST18i3-5, black

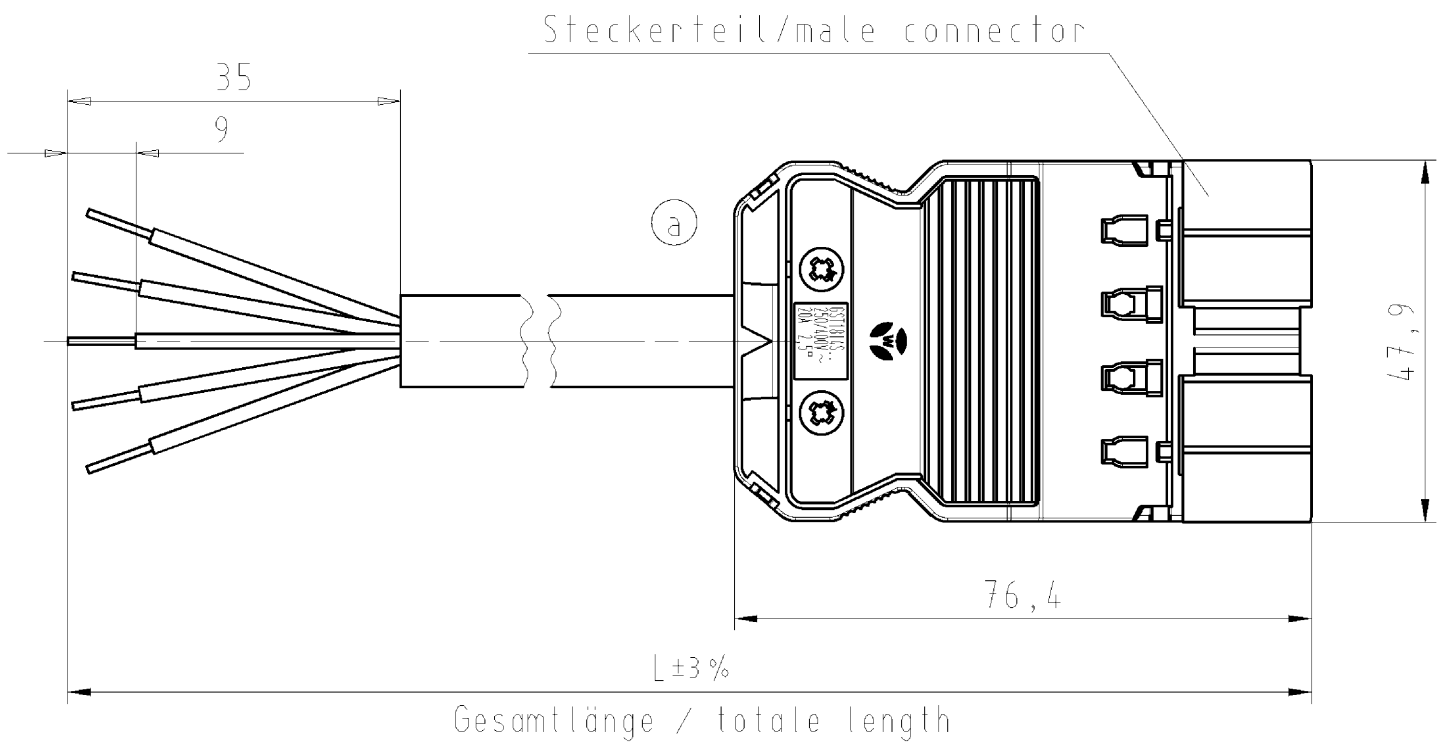
These dimensions will be especially checked at delivery  
 Only inspection dimensions  
 With .F marked dimensions are only valid for internal use

Diese Maße werden bei Abnahme besonders geprüft  
 Ausschließlich Prüfmaße  
 Mit .F gekennzeichnete Maße sind nur für interne Zwecke gültig



.F	Farbe colour	Codierung "Y" Stecker male	Kabelfarbe cable colour
.1	schwarz black	1 2 PE N 3 	schwarz black
.2	weiß white		weiß white

Weitergabe sowie Vervielfältigung dieses Dokuments, Verwertung und Mitteilung seines Inhalts sind verboten, soweit nicht ausdrücklich gestattet.  
 The reproduction, distribution and utilization of this document as well as the communication of its contents to others without express authorization is prohibited.



Kabel/cable H05VV-F 5G 2,5  
 Farbe/colour: siehe Tabelle/see table

Pol/pole	Aderfarben/colour of core
1	braun/brown
2	schwarz/black
3	grau/grey
N	blau/blue
⊕	grün-gelb/green-yellow

Teile-Nr. part-no.	L	Beispiel (Farbe: schwarz) exampel (colour: black)	Typ type
92.258.XX04.F	XX in dm-Schritten	92.258.1004.1 = 10dm/L= 1000mm	GST1815KS-S 25 10SW
U2.258.XX04.F	XX in m-Schritten	U2.258.1204.1 = 12 m/L=12000mm	GST1815KS-S 25 X12SW

Tolerierung Size ISO 14405 (Tolerance system Size ISO 14405).  
 (This ISO-standard describes the envelope principle. According to the envelope principle the deviations of form and parallelism are limited by the size tolerances).

ja/yes  Stoffverbots- und Deklarationsliste nach UU-TOM-05/03 ist einzuhalten.  
 Conformity with Wieland document UU-TOM-05/03 (list of prohibited / declarable hazardous substances) to be declared!

Freitoleranz nach DIN ISO 2768 - m  
 General tolerance

CAD - Zeichnung, keine manuellen Änderungen  
 CAD - drawing, no manual modifications allowed

1. Verwendung: -  
 First Use: -

Blatt: 1 von 1  
 Sheet: of

Werkstoff/Material	2006 Tag/Date	Name	T	Zeichnung Nr./Drawing No.	Index
gezeichnet/drawn	31.08.	DUETSCH T.			
geprüft/checked	-	-			
Maßstab/Scale	1:1	Normgepr. Stand. check	Maße in mm/Dimensions are in mm		
Vol.	mm <sup>3</sup> Ofl./Surf.	mm <sup>2</sup>	Ersatz für/Replacement for: -		
a	25.10.2012/	wieland		Type	
Index	Datum / Blatt Date / Sheet	Elektrische Verbindungen		Benennung/Tittle	
Änderung/Revision		GST1815		INSTALL. COUPLER KONFEKT_LEITUNG	
		KS-S 25 .. SW/WS		ST/male-fr.Ende/free end, Schraubanschl./screw connection 250V AC, 20A, 2,5qmm	

Weitere Daten siehe Katalog  
 further data see catalog

922580504101K\_2 CADW2036\_treschan 2012-10-31T14:03:07 1.000