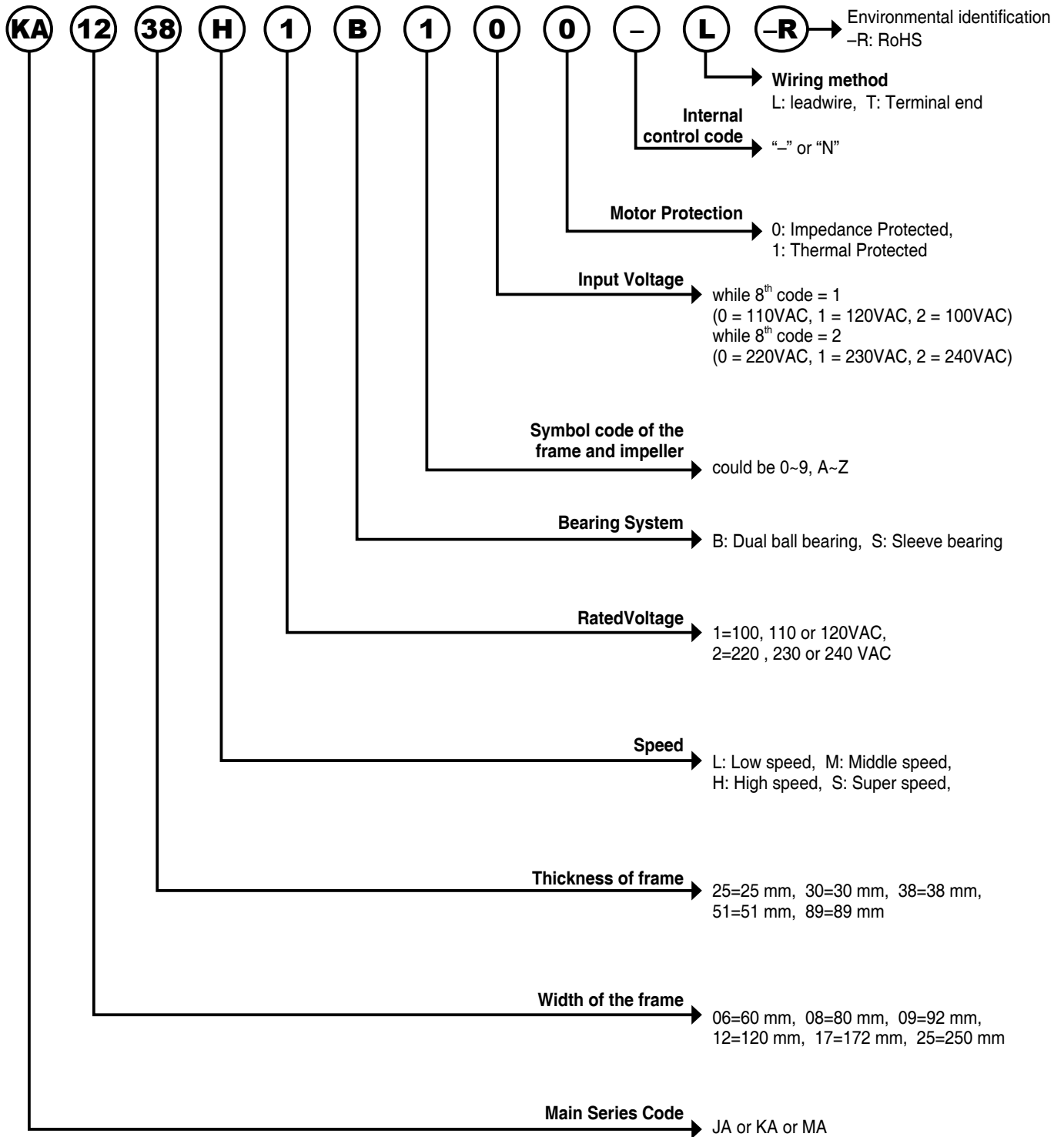


Part Number System



AC FAN

JAMICON®

80X80X25 mm

JA0825-0N Series

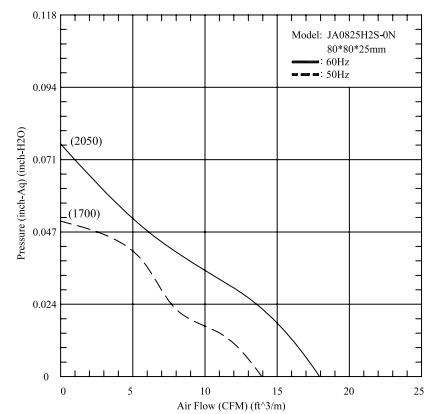
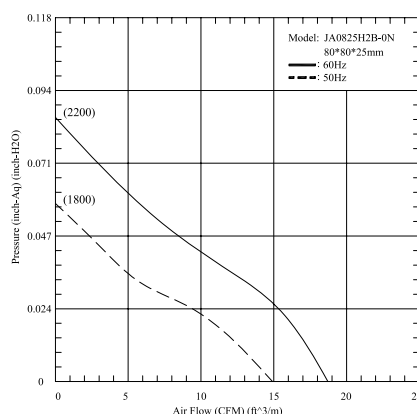
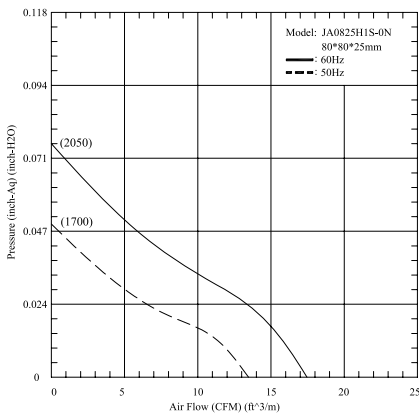
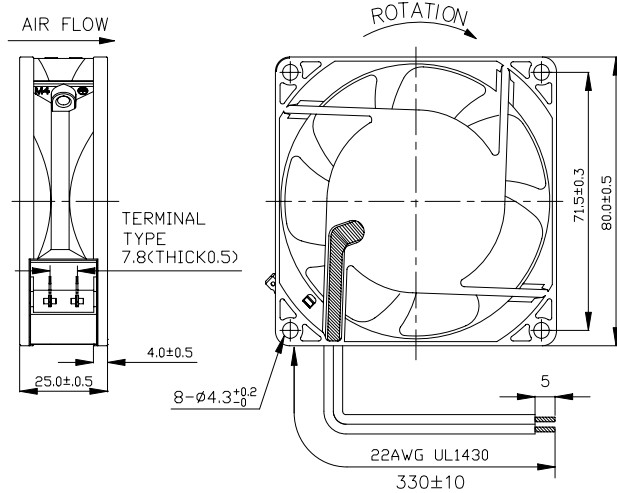
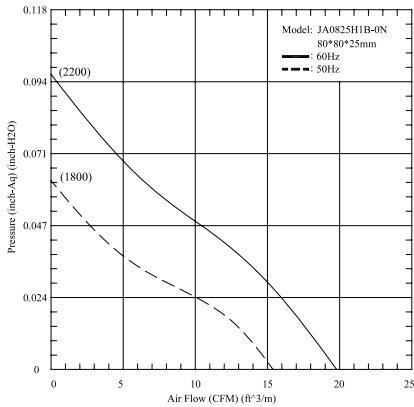


- **Motor** : Two-pole shaded pole induction motor
- **Frame** : Aluminum Alloy, Painted black
- **Impeller** : Retardant thermoplastic in black color, rated UL94V-0
- **Speed Range** : ±10%
- **Impedance protected**

SPECIFICATIONS

Model	Bearing	Nominal Voltage (V)	Frequency (Hz)	Air Flow (CFM)	Static Pressure (inchH ₂ O)	Speed (R.P.M.)	Nominal Current (Amp)	Input Power (Watt)	Noise (dBA)	Weight (g)
JA0825H1B0N	Dual Ball	110 - 120	50	15.39	0.063	1800	0.11	10	19.6	195
			60	19.79	0.098	2200		8	24.7	
JA0825H1S0N	Sleeve		50	13.46	0.050	1700		10	15.2	
			60	17.45	0.076	2050		8	20.8	
JA0825H2B0N	Dual Ball	220 - 240	50	14.91	0.059	1800	0.05	10	19.7	
			60	18.72	0.087	2200		8	23.1	
JA0825H2S0N	Sleeve		50	13.93	0.052	1700		10	16.6	
			60	17.94	0.077	2050		8	21.9	

Specifications subject to change without notice



AC FAN

JAMICON®

80X80X38 mm

JA0838-0N Series

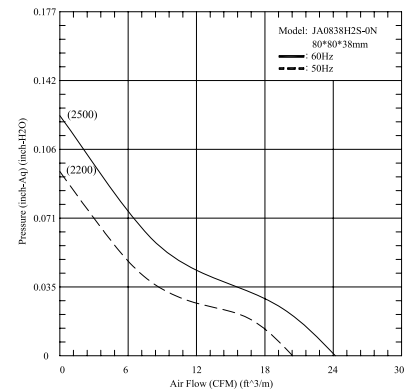
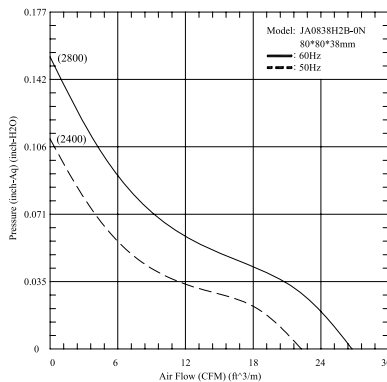
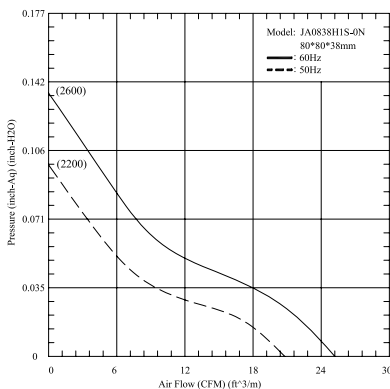
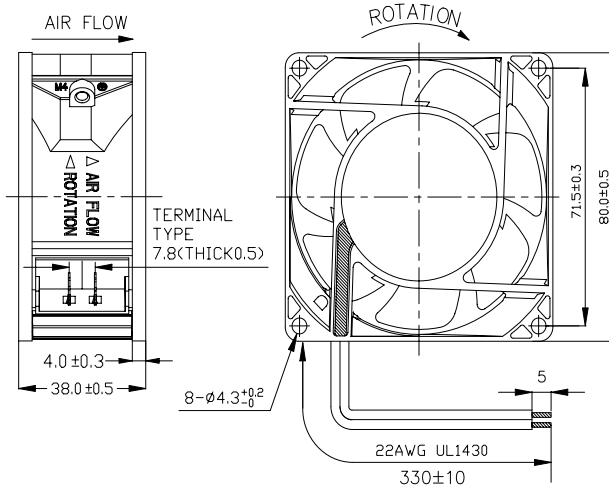
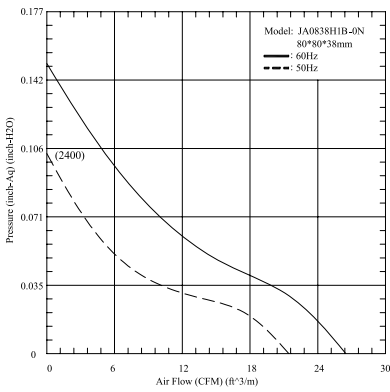


- **Motor** : Two-pole shaded pole induction motor
- **Frame** : Aluminum Alloy, Painted black
- **Impeller** : Retardant thermoplastic in black color, rated UL94V-0
- **Speed Range** : ±10%
- **Impedance protected**

SPECIFICATIONS

Model	Bearing	Nominal Voltage (V)	Frequency (Hz)	Air Flow (CFM)	Static Pressure (inchH ₂ O)	Speed (R.P.M.)	Nominal Current (Amp)	Input Power (Watt)	Noise (dBA)	Weight (g)
JA0838H1B0N	Dual Ball	110 - 120	50	21.42	0.102	2400	0.17	13	25.2	285
			60	26.46	0.149	2800		10	32.1	
JA0838H1S0N	Sleeve		50	20.78	0.098	2200		13	24.4	
			60	25.19	0.134	2600		10	30.0	
JA0838H2B0N	Dual Ball	220 - 240	50	22.25	0.109	2400	0.08	12	26.3	
			60	26.74	0.152	2800		9	31.9	
JA0838H2S0N	Sleeve		50	20.44	0.094	2200		12	24.2	
			60	24.19	0.122	2500		9	28.2	

Specifications subject to change without notice



AC FAN

JAMICON®

92X92X25 mm

JA0925-0N Series

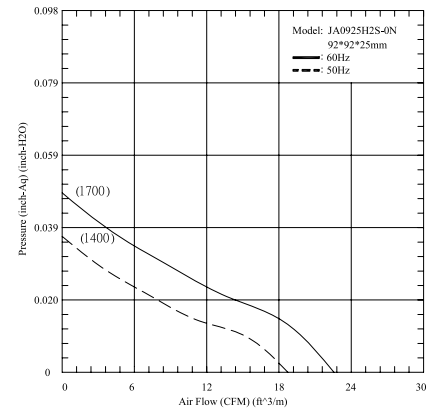
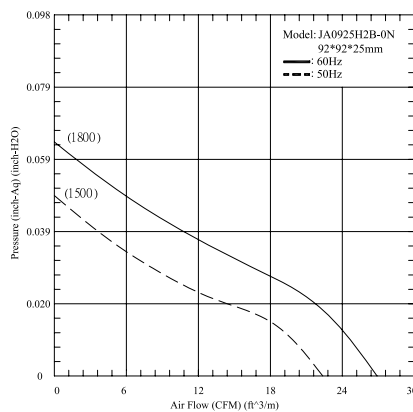
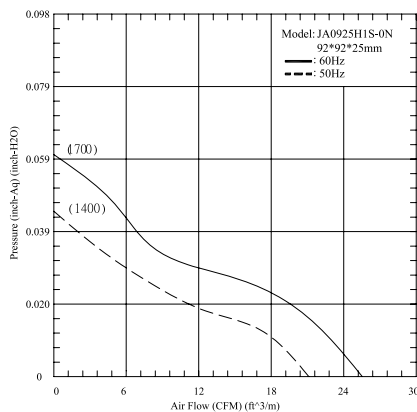
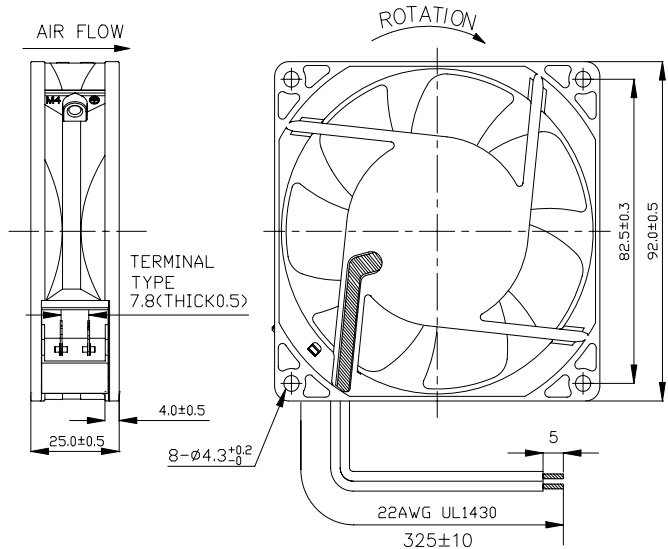
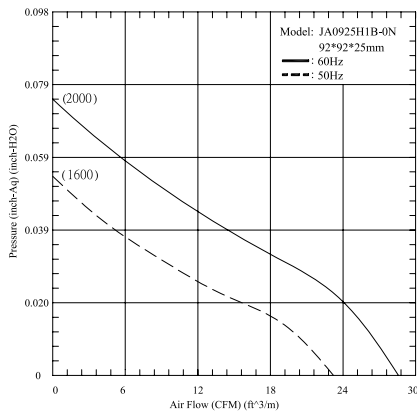


- **Motor** : Two-pole shaded pole induction motor
- **Frame** : Aluminum Alloy, Painted black
- **Impeller** : Retardant thermoplastic in black color, rated UL94V-0
- **Speed Range** : ±10%
- **Impedance protected**

SPECIFICATIONS

Model	Bearing	Nominal Voltage (V)	Frequency (Hz)	Air Flow (CFM)	Static Pressure (inchH ₂ O)	Speed (R.P.M.)	Nominal Current (Amp)	Input Power (Watt)	Noise (dBA)	Weight (g)		
JA0925H1B0N	Dual Ball	110 - 120	50	23.24	0.054	1600	0.11	10	20.3	205		
			60	28.59	0.075	2000		8	24.9			
JA0925H1S0N	Sleeve		50	19.7	0.041	1400		10	15.1			
			60	23.19	0.053	1700		8	21.9			
JA0925H2B0N	Dual Ball		220 - 240	50	21.37	0.046		1500	0.05		10	16.3
				60	25.78	0.059		1800			8	24.7
JA0925H2S0N	Sleeve	50		18.71	0.037	1400	10	16.3				
		60		22.56	0.049	1700	8	20.7				

Specifications subject to change without notice



AC FAN

JAMICON®

120X120X25 mm

JA1225-0N Series

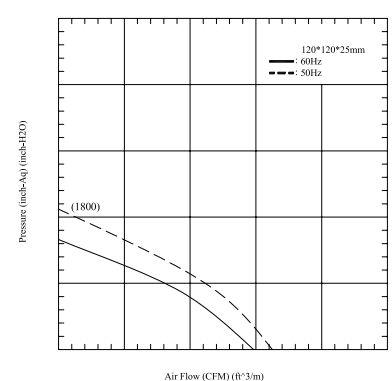
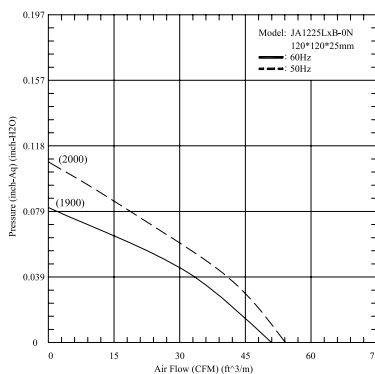
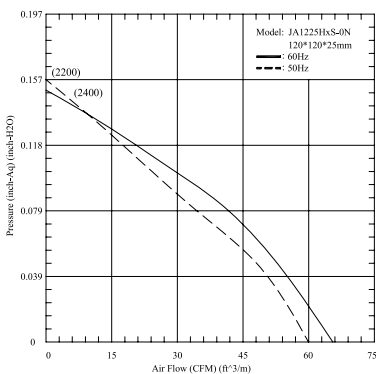
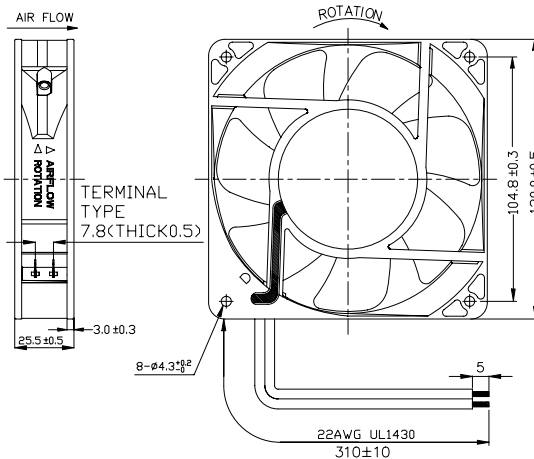
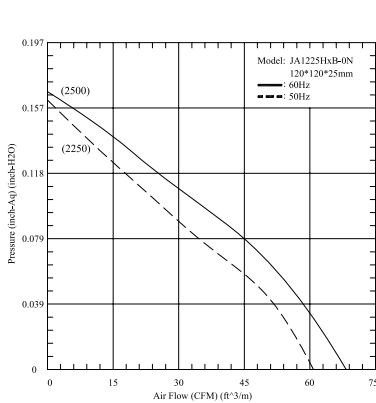


- **Motor** : Two-pole shaded pole induction motor
- **Frame** : Aluminum Alloy, Painted black
- **Impeller** : Retardant thermoplastic in black color, rated UL94V-0
- **Speed Range** : ±10%
- **Impedance protected**

SPECIFICATIONS

Model	Bearing	Nominal Voltage (V)	Frequency (Hz)	Air Flow (CFM)	Static Pressure (inchH ₂ O)	Speed (R.P.M.)	Nominal Current (Amp)	Input Power (Watt)	Noise (dBA)	Weight (g)	
JA1225H1B0N	Dual Ball	110 - 120	50	60.82	0.162	2250	0.18	18	39.4	325	
JA1225L1B0N			60	68.26	0.167	2500		15	42.5		
JA1225H1S0N	Sleeve		50	54.09	0.107	2000	0.10	10	36.3		
			60	50.92	0.080	1900		9	35.0		
JA1225L1S0N	Sleeve		50	59.96	0.157	2200	0.18	18	39.2		
			60	65.49	0.151	2400		15	41.8		
JA1225L2B0N	Dual Ball		220 - 240	50	48.76	0.083	1800	0.10	10		33.5
				60	44.47	0.065	1650		9		30.3
JA1225H2B0N	Dual Ball			50	60.82	0.162	2250	0.09	17		39.4
				60	68.26	0.167	2500		15		42.5
JA1225L2S0N	Sleeve	50		54.09	0.107	2000	0.05	10	36.3		
		60		50.92	0.080	1900		9	35.0		
JA1225H2S0N	Sleeve	50		59.96	0.157	2200	0.09	17	39.2		
		60		65.49	0.151	2400		15	41.8		
JA1225L2S0N	Sleeve	50		48.76	0.083	1800	0.05	10	33.5		
		60		44.47	0.065	1650		9	30.3		

Specifications subject to change without notice



AC FAN

JAMICON®

120X120X38 mm

JA1238-0 Series

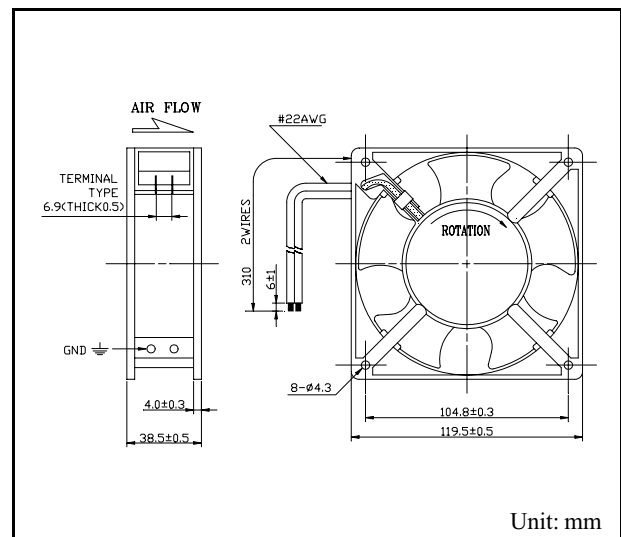
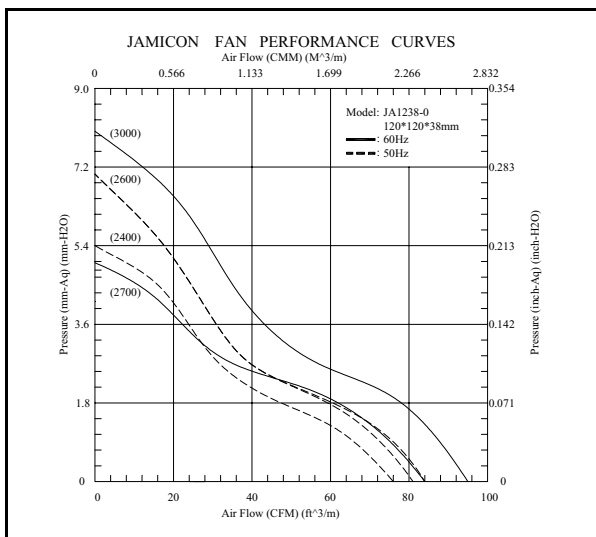


- **Motor** : Two-pole shaded pole induction motor
- **Frame** : Aluminum Alloy, Painted black
- **Impeller** : Retardant thermoplastic in black color, rated UL94V-0
- **Speed Range** : ±10%
- **Impedance protected**

SPECIFICATIONS

Model	Bearing	Nominal Voltage (V)	Frequency (Hz)	Air Flow (CFM)	Static Pressure (inchH ₂ O)	Speed (R.P.M.)	nominal Current (Amp)	Input Power (Watt)	Noise (dBA)	Weight (g)	
JA1238H1B0	Dual ball	110-120	50	84.0	0.277	2600	0.27	23	44	520	
JA1238M1B0			60	95.0	0.316	3000		21	50		
JA1238H1S0	Sleeve		50	76.0	0.215	2400	0.20	14	42		
			60	84.0	0.179	2700		13	45		
JA1238M1S0	Sleeve		50	84.0	0.277	2600	0.27	23	44		
			60	95.0	0.316	3000		21	50		
JA1238M2B0	Dual ball		220-230	50	76.0	0.215	2400	0.20	14		42
				60	84.0	0.179	2700		13		45
JA1238H2B0	Dual ball			50	81.0	0.277	2600	0.13	20		44
				60	95.0	0.316	3000		17		50
JA1238M2S0	Sleeve	50		76.0	0.215	2400	0.12	14	42		
		60		84.0	0.179	2700		13	45		

Specifications subject to change without notice



AC FAN

JAMICON®

120X120X38 mm

JA1238-0N Series



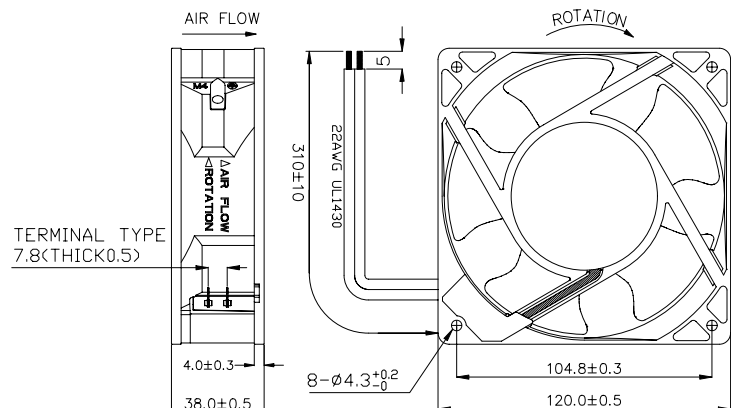
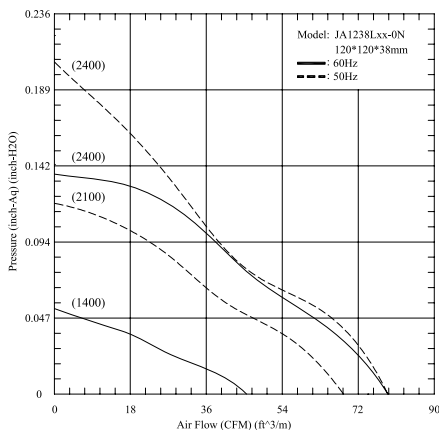
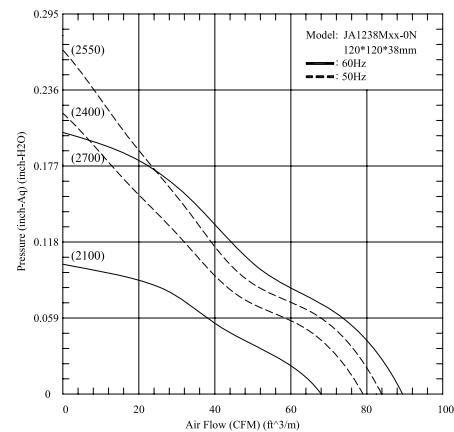
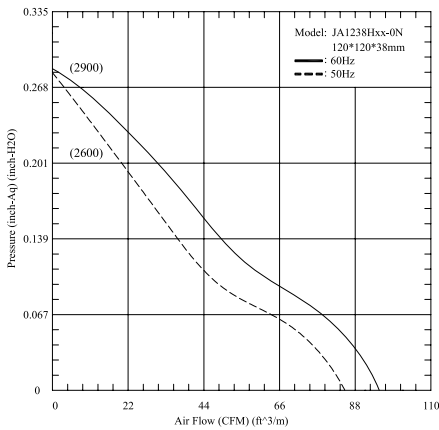
- **Motor** : Two-pole shaded pole induction motor
- **Frame** : Aluminum Alloy, Painted black
- **Impeller** : Retardant thermoplastic in black color, rated UL94V-0
- **Speed Range** : ±10%
- **Impedance protected**

SPECIFICATIONS

Model	Bearing	Nominal Voltage (V)	Frequency (Hz)	Air Flow (CFM)	Static Pressure (inchH ₂ O)	Speed (R.P.M.)	nominal Current (Amp)	Input Power (Watt)	Noise (dBA)	Weight (g)	
JA1238H1-0N	B, S	110-120	50	85	0.281	2600	0.27	18	45	510	
			60	95	0.284	2900		15	47		
JA1238M1-0N	B, S		50	83	0.267	2550	0.20	16	44		
			60	89	0.203	2700		14	45		
JA1238L1-0N	B, S		50	79	0.206	2400	0.16	15	42		
			60	79	0.137	2400		14	42		
JA1238H2-0N	B, S		220-240	50	85	0.281	2600	0.13	20		45
				60	95	0.284	2900		17		47
JA1238M2-0N	B, S			50	79	0.206	2400	0.09	13		42
				60	68	0.101	2100		12		37
JA1238L2-0N	B, S	50		68	0.119	2100	0.07	10	37		
		60		45	0.053	1400		9	27		
JA1238HD-0N	B, S	115/230		50	85	0.281	2600	0.25/0.13	19	45	
				60	95	0.284	2900		16	47	

Specifications subject to change without notice

The 9TH character of Model No means the bearing code. Please refer to the page "AC FAN PART NUMBER SYSTEM".



AC FAN

JAMICON®

172X150X38 mm

JA1738-0 Series

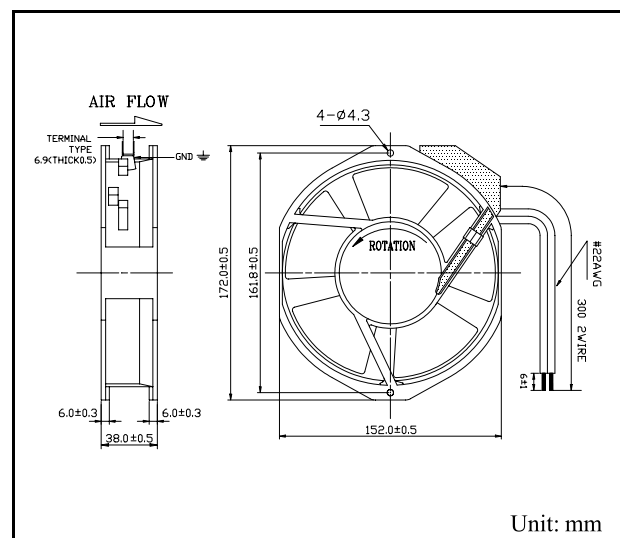
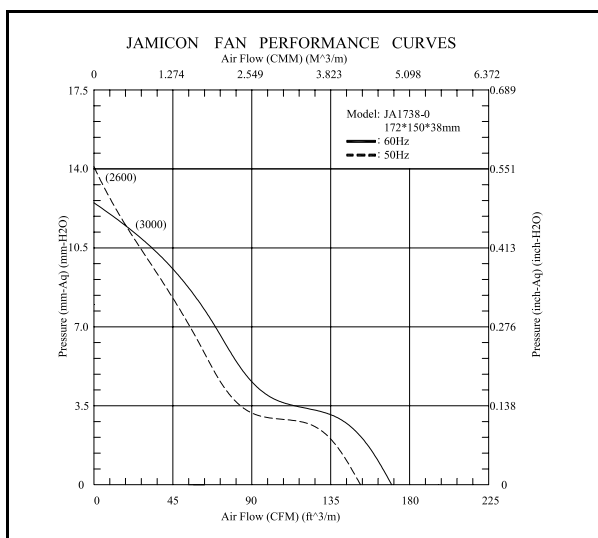


- **Motor** : Two-pole shaded pole induction motor
- **Frame** : Aluminum Alloy, Painted black
- **Impeller** : Retardant thermoplastic in black color, rated UL94V-0
- **Speed Range** : ±10%
- **Thermal protected**

SPECIFICATIONS

Model	Bearing	Nominal Voltage (V)	Frequency (Hz)	Air Flow (CFM)	Static Pressure (inchH ₂ O)	Speed (R.P.M.)	Nominal Current (Amp)	Input Power (Watt)	Noise (dBA)	Weight (g)
JA1738H1B0	Dual ball	110-120	50	152	0.555	2600	0.47	38	52.0	760
			60	172	0.492	3000		35	56.0	
220-230		50	152	0.555	2600	0.20	44	52.0		
		60	172	0.492	3000		40	56.0		

Specifications subject to change without notice



AC FAN

JAMICON®

172X150X51 mm

JA1751-0 Series

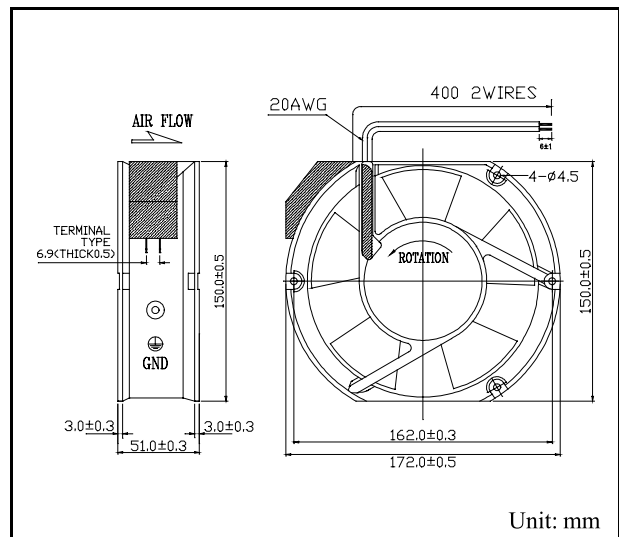
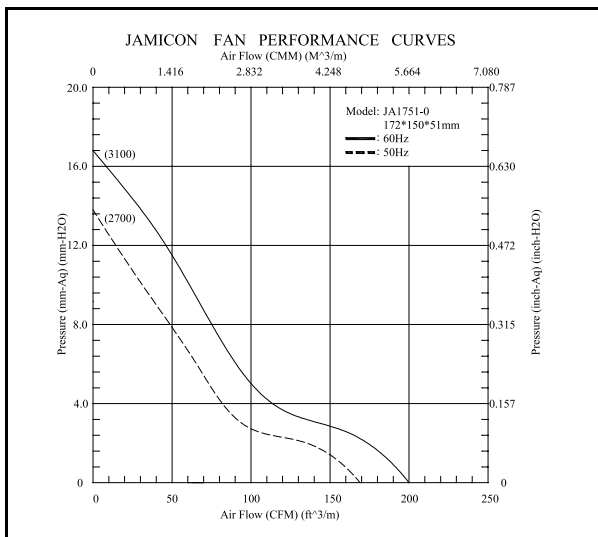


- **Motor** : Two-pole shaded pole induction motor
- **Frame** : Aluminum Alloy, Painted black
- **Impeller** : Retardant thermoplastic in black color, rated UL94V-0
- **Speed Range** : $\pm 10\%$
- **Thermal protected**

SPECIFICATIONS

Model	Bearing	Nominal Voltage (V)	Frequency (Hz)	Air Flow (CFM)	Static Pressure (inchH ₂ O)	Speed (R.P.M.)	Nominal Current (Amp)	Input Power (Watt)	Noise (dBA)	Weight (g)
JA1751H1B0	Dual ball	110-120	50	169	0.543	2700	0.65	51	55.0	920
			60	200	0.661	3100		48	59.0	
220-230		50	169	0.543	2700	0.40	56	55.0		
		60	200	0.661	3100		51	59.0		

Specifications subject to change without notice



AC FAN

JAMICON®

120X120X38 mm

KA1238-1N Series

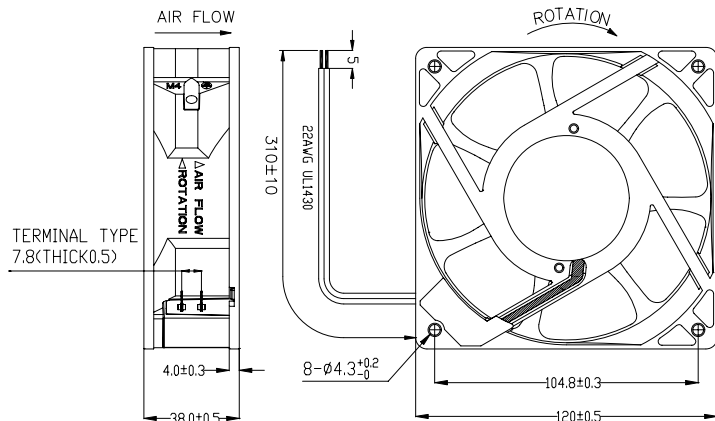
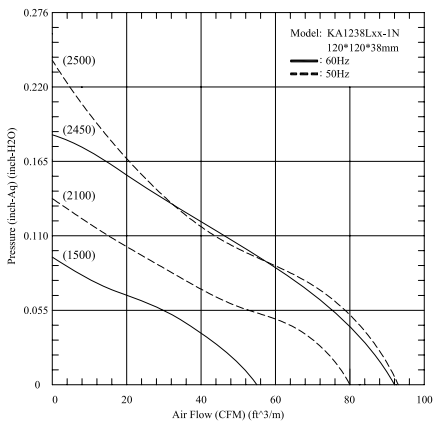
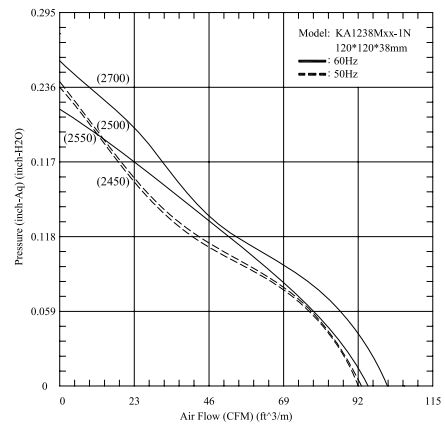
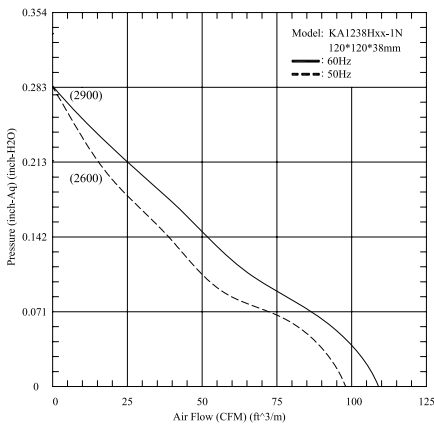


- **Motor** : Two-pole shaded pole induction motor
- **Frame** : Aluminum Alloy, Painted black
- **Impeller** : Retardant thermoplastic in black color, rated UL94V-0
- **Speed Range** : ±10%
- **Impedance protected**

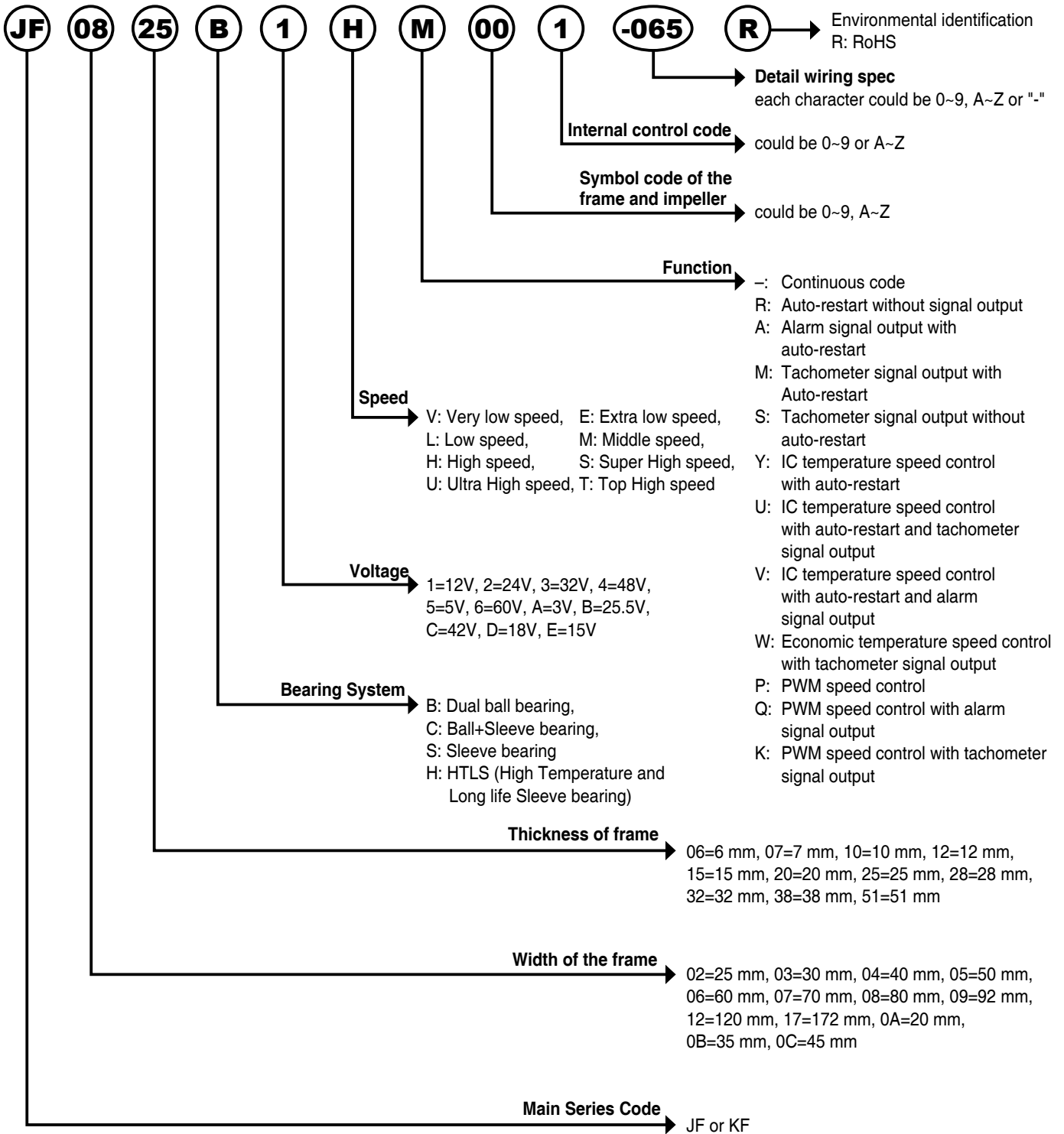
SPECIFICATIONS

Model	Bearing	Nominal Voltage (V)	Frequency (Hz)	Air Flow (CFM)	Static Pressure (inchH ₂ O)	Speed (R.P.M.)	Nominal Current (Amp)	Input Power (Watt)	Noise (dBA)	Weight (g)
KA1238H1-1N	B, S	110-120	50	97	0.284	2600	0.30	21	42	520
			60	109	0.285	2900		18	45	
KA1238M1-1N	B, S		50	93	0.240	2500	0.25	19	42	
			60	101	0.257	2700		17	44	
KA1238L1-1N	B, S		50	93	0.240	2500	0.22	17	42	
			60	92	0.185	2450		16	41	
KA1238H2-1N	B, S	220-240	50	97	0.284	2600	0.16	21	42	
			60	109	0.285	2900		18	44	
KA1238M2-1N	B, S		50	92	0.236	2450	0.12	20	41	
			60	95	0.219	2550		18	42	
KA1238L2-1N	B, S		50	80	0.138	2100	0.07	12	35	
			60	55	0.095	1500		11	27	
KA1238HD-1N	B, S	115/230	50	97	0.284	2600	0.30/0.16	21	42	
			60	109	0.285	2900		18	45	

Specifications subject to change without notice



Part Number System



50X50X15 mm

JF0515-01 Series



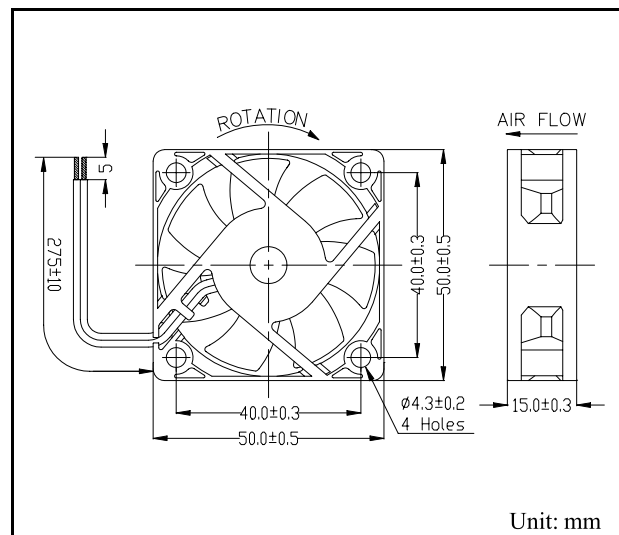
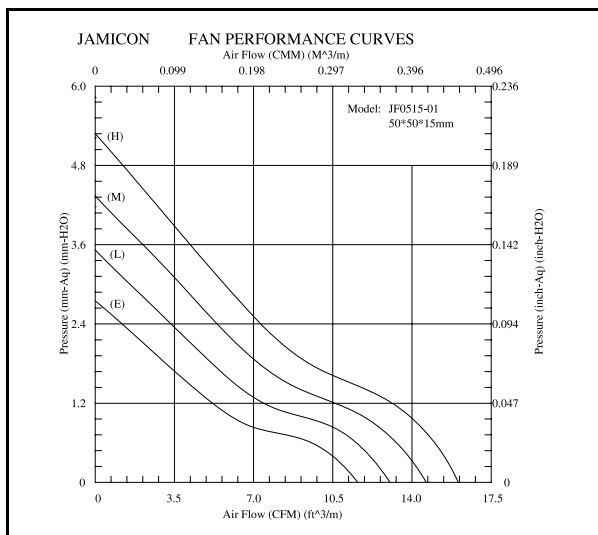
- **Frame** : Plastic Material UL 94V-0
- **Impeller** : Plastic Material UL 94V-0
- **Speed Range** : $\pm 10\%$

SPECIFICATIONS

Model	Bearing	Rated Voltage (V)	Operating Voltage (V)	Air Flow (CFM)	Static Pressure (inchH ₂ O)	Speed (R.P.M.)	Input Current (Amp)	Input Power (Watt)	Nominal Current (Amp)	Noise (dBA)	Weight (g)
JF0515-1H-01	B, H, S	12	10.2 ~ 13.8	16.05	0.208	5500	0.14	1.68	0.24	35.6	29
JF0515-1M-01	B, H, S			14.63	0.171	5000	0.12	1.44	0.22	31.7	
JF0515-1L-01	B, H, S			13.03	0.139	4500	0.10	1.20	0.16	28.6	
JF0515-1E-01	B, H, S			11.60	0.108	4000	0.08	0.96	0.12	25.0	
JF0515-2H-01	B, H, S	24	20.4 ~ 27.6	16.05	0.208	5500	0.10	2.40	0.13	35.6	
JF0515-2M-01	B, H, S			14.63	0.171	5000	0.08	1.92	0.12	31.7	
JF0515-2L-01	B, H, S			13.03	0.139	4500	0.06	1.44	0.11	28.6	
JF0515-2E-01	B, H, S			11.60	0.108	4000	0.04	0.96	0.08	25.0	

Specifications subject to change without notice

The 7TH character of Model No means the bearing code. Please refer to the page "PART NUMBER SYSTEM".
Please contact us for detail if your request bearing system is not shown in the above list.



Unit: mm

60X60X15 mm

JF0615-00 Series



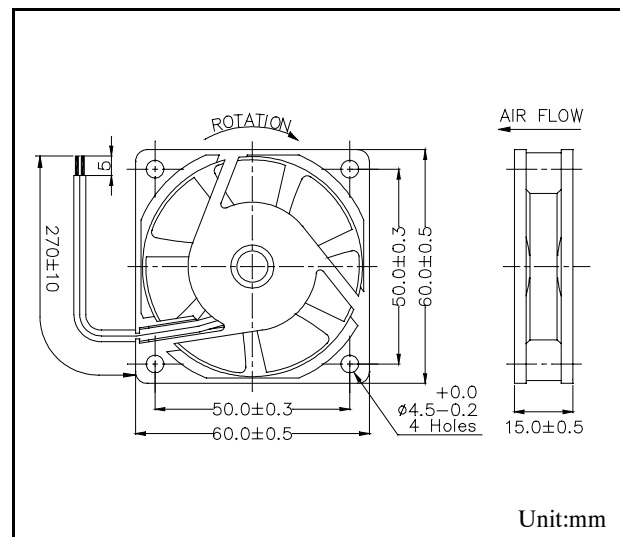
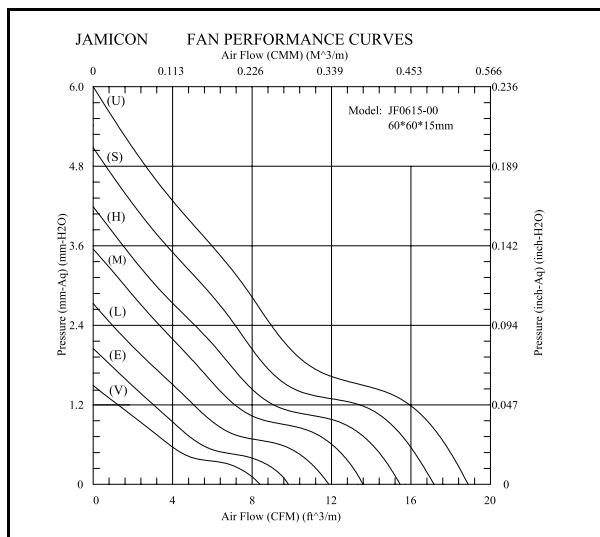
- **Frame** : Plastic Material UL 94V-0
- **Impeller** : Plastic Material UL 94V-0
- **Speed Range** : $\pm 10\%$

SPECIFICATIONS

Model	Bearing	Rated Voltage (V)	Operating Voltage (V)	Air Flow (CFM)	Static Pressure (inchH ₂ O)	Speed (R.P.M.)	Input Current (Amp)	Input Power (Watt)	Nominal Current (Amp)	Noise (dBA)	Weight (g)		
JF0615-5HR00	B, S	5	4.25 ~ 5.75	15.45	0.165	4500	0.25	1.25	0.26	30.5	45		
JF0615-5MR00	B, S			13.58	0.140	4000	0.20	1.00	0.21	28.8			
JF0615-5L-00	B, S			11.86	0.107	3500	0.17	0.85	0.17	25.4			
JF0615-5E-00	B, S			9.82	0.081	3000	0.14	0.70	0.14	21.2			
JF0615-5V-00	B, S			8.39	0.059	2500	0.11	0.55	0.11	17.9			
JF0615B1UR00	Dual Ball	12	10.2 ~ 13.8	18.87	0.220	5500	0.15	1.80	0.16	37.5			
JF0615B1S-00	Dual Ball			17.16	0.200	5000	0.14	1.68	0.15	33.7			
JF0615-1H-00	B, S			15.45	0.165	4500	0.13	1.56	0.17	30.5			
JF0615-1M-00	B, S			13.58	0.140	4000	0.12	1.44	0.15	28.8			
JF0615-1L-00	B, S			11.86	0.107	3500	0.10	1.20	0.12	25.4			
JF0615-1E-00	B, S			9.82	0.081	3000	0.08	0.96	0.09	21.2			
JF0615-1V-00	B, S			8.39	0.059	2500	0.07	0.84	0.07	17.9			
JF0615B2UR00	Dual Ball			24	20.4 ~ 27.6	18.87	0.220	5500	0.11	2.64		0.12	37.5
JF0615B2S-00	Dual Ball					17.16	0.200	5000	0.10	2.40		0.11	33.7
JF0615-2H-00	B, S					15.45	0.165	4500	0.13	3.12		0.13	30.5
JF0615-2M-00	B, S	13.58	0.140			4000	0.11	2.64	0.11	28.8			
JF0615-2L-00	B, S	11.86	0.107			3500	0.09	2.16	0.09	25.4			
JF0615-2E-00	B, S	9.82	0.081			3000	0.06	1.44	0.06	21.2			
JF0615-2V-00	B, S	8.39	0.059			2500	0.04	0.96	0.04	17.9			

Specifications subject to change without notice

The 7TH character of Model No means the bearing code. Please refer to the page "PART NUMBER SYSTEM".
Please contact us for detail if your request bearing system is not shown in the above list.



60X60X20 mm

JF0620-00 Series



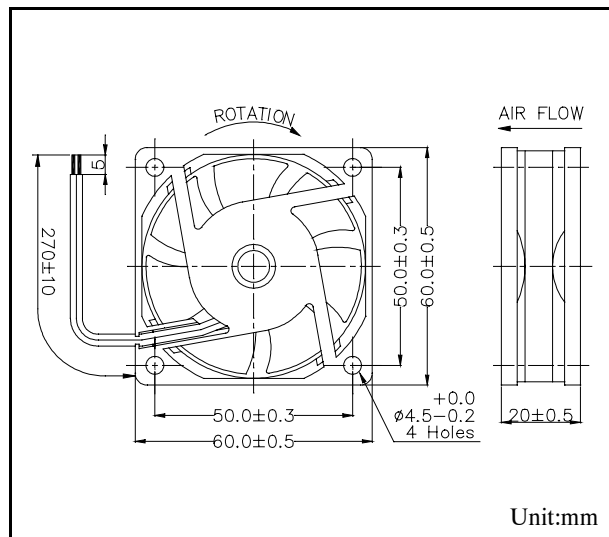
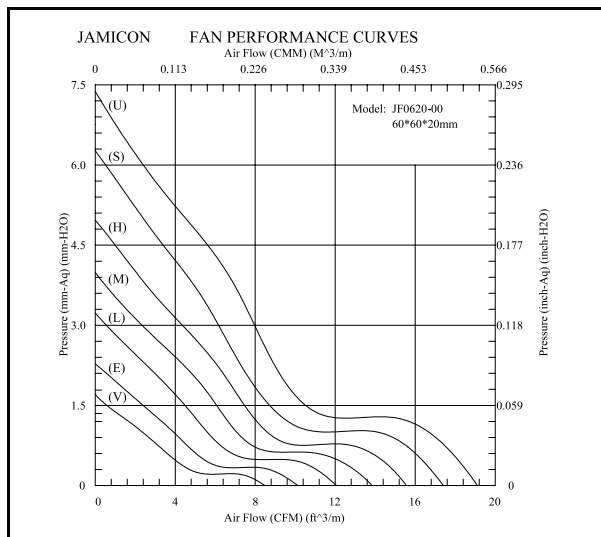
- **Frame** : Plastic Material UL 94V-0
- **Impeller** : Plastic Material UL 94V-0
- **Speed Range** : $\pm 10\%$

SPECIFICATIONS

Model	Bearing	Rated Voltage (V)	Operating Voltage (V)	Air Flow (CFM)	Static Pressure (inchH ₂ O)	Speed (R.P.M.)	Input Current (Amp)	Input Power (Watt)	Nominal Current (Amp)	Noise (dBA)	Weight (g)
JF0620B1UR00	Dual Ball	12	10.2 ~ 13.8	19.11	0.291	5500	0.19	2.28	0.20	35.9	50
JF0620-1S-00	B, S			17.41	0.247	5000	0.17	2.04	0.18	32.8	
JF0620-1H-00	B, S			15.56	0.196	4500	0.15	1.80	0.17	29.4	
JF0620-1M-00	B, S			13.84	0.157	4000	0.13	1.56	0.15	26.4	
JF0620-1L-00	B, S			12.06	0.127	3500	0.10	1.20	0.13	23.6	
JF0620-1E-00	B, S			10.13	0.090	3000	0.09	1.08	0.09	20.3	
JF0620-1V-00	B, S			8.48	0.068	2500	0.07	0.84	0.07	17.1	
JF0620B2UR00	Dual Ball	24	20.4 ~ 27.6	19.11	0.291	5500	0.12	2.88	0.13	35.9	
JF0620-2S-00	B, S			17.41	0.247	5000	0.10	2.40	0.11	32.8	
JF0620-2H-00	B, S			15.56	0.196	4500	0.09	2.16	0.13	29.4	
JF0620-2M-00	B, S			13.84	0.157	4000	0.08	1.92	0.11	26.4	
JF0620-2L-00	B, S			12.06	0.127	3500	0.07	1.68	0.07	23.6	
JF0620-2E-00	B, S			10.13	0.090	3000	0.06	1.44	0.06	20.3	
JF0620-2V-00	B, S			8.48	0.068	2500	0.05	1.20	0.05	17.1	

Specifications subject to change without notice

The 7TH character of Model No means the bearing code. Please refer to the page "PART NUMBER SYSTEM".
Please contact us for detail if your request bearing system is not shown in the above list.



60X60X25 mm

JF0625-00 Series

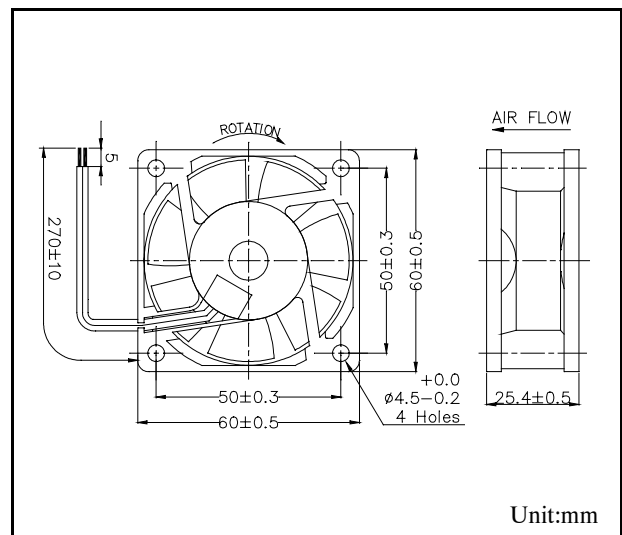
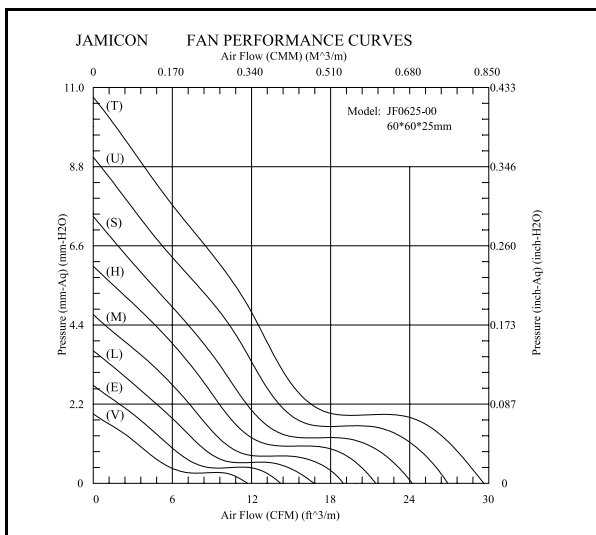


- **Frame** : Plastic Material UL 94V-0
- **Impeller** : Plastic Material UL 94V-0
- **Speed Range** : $\pm 10\%$

SPECIFICATIONS											
Model	Bearing	Rated Voltage (V)	Operating Voltage (V)	Air Flow (CFM)	Static Pressure (inchH ₂ O)	Speed (R.P.M.)	Input Current (Amp)	Input Power (Watt)	Nominal Current (Amp)	Noise (dBA)	Weight (g)
JF0625B1TR00	Dual Ball	12	10.2 ~ 13.8	29.69	0.422	6000	0.37	4.44	0.38	42.5	65
JF0625B1UR00	Dual Ball			26.96	0.357	5500	0.29	3.48	0.30	39.6	
JF0625-1S-00	B, S			24.27	0.292	5000	0.22	2.64	0.22	35.7	
JF0625-1H-00	B, S			21.44	0.237	4500	0.20	2.40	0.23	34.1	
JF0625-1M-00	B, S			19.00	0.185	4000	0.16	1.92	0.20	31.3	
JF0625-1L-00	B, S			16.76	0.145	3500	0.13	1.56	0.17	27.3	
JF0625-1E-00	B, S			14.24	0.108	3000	0.11	1.32	0.11	22.4	
JF0625-1V-00	B, S			11.72	0.076	2500	0.08	0.96	0.08	20.2	
JF0625B2TR00	Dual Ball			24	20.4 ~ 27.6	29.69	0.422	6000	0.20	4.80	
JF0625B2UR00	Dual Ball	26.96	0.357			5500	0.16	3.84	0.16	39.6	
JF0625-2S-00	B, S	24.27	0.292			5000	0.13	3.12	0.14	35.7	
JF0625-2H-00	B, S	21.44	0.237			4500	0.12	2.88	0.17	34.1	
JF0625-2M-00	B, S	19.00	0.185			4000	0.11	2.64	0.13	31.3	
JF0625-2L-00	B, S	16.76	0.145			3500	0.10	2.40	0.12	27.3	
JF0625-2E-00	B, S	14.24	0.108			3000	0.07	1.68	0.07	22.4	
JF0625-2V-00	B, S	11.72	0.076			2500	0.06	1.44	0.06	20.2	
JF0625B4SR00	Dual Ball	48	40.8 ~ 60.0			24.27	0.292	5000	0.09	4.32	
JF0625B4HR00	Dual Ball			21.44	0.237	4500	0.07	3.36	0.08	34.1	
JF0625B4MR00	Dual Ball			19.00	0.185	4000	0.06	2.88	0.07	31.3	
JF0625B4LR00	Dual Ball			16.76	0.145	3500	0.05	2.40	0.06	27.3	

Specifications subject to change without notice

The 7TH character of Model No means the bearing code. Please refer to the page "PART NUMBER SYSTEM". Please contact us for detail if your request bearing system is not shown in the above list.



60X60X25 mm

JF0625-01 Series



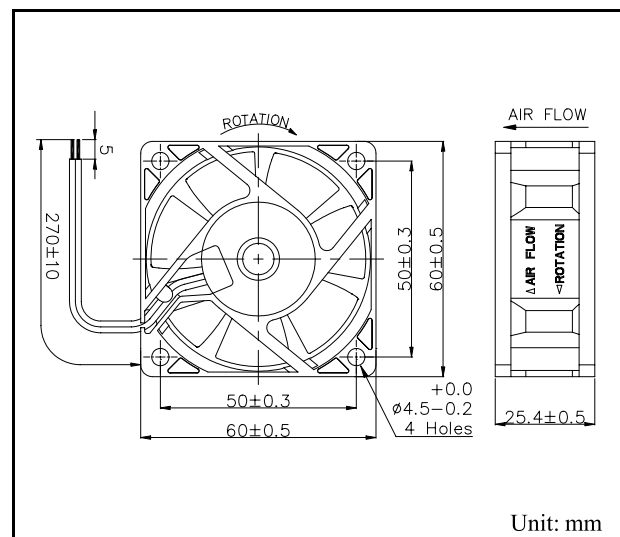
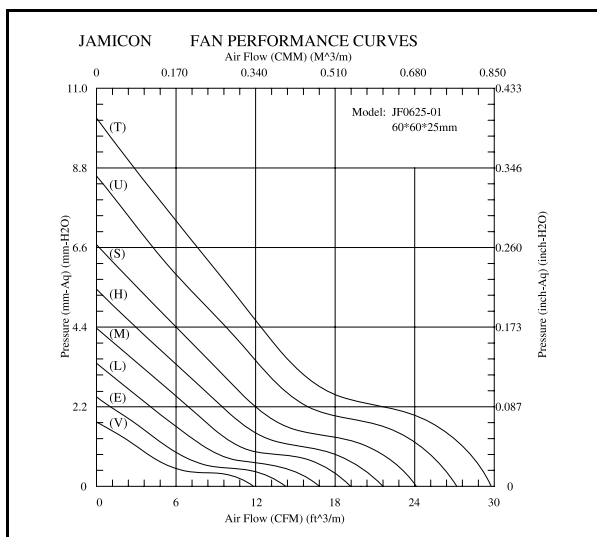
- **Frame** : Plastic Material UL 94V-0
- **Impeller** : Plastic Material UL 94V-0
- **Speed Range** : $\pm 10\%$

SPECIFICATIONS

Model	Bearing	Rated Voltage (V)	Operating Voltage (V)	Air Flow (CFM)	Static Pressure (inchH ₂ O)	Speed (R.P.M.)	Input Current (Amp)	Input Power (Watt)	Nominal Current (Amp)	Noise (dBA)	Weight (g)
JF0625B1TR01	Dual Ball	12	10.2 ~ 13.8	29.77	0.401	6000	0.37	4.44	0.38	42.1	55
JF0625-1UR01	B, H			27.17	0.338	5500	0.29	3.48	0.30	40.1	
JF0625-1S-01	B, H, S			24.12	0.263	5000	0.22	2.64	0.22	37.2	
JF0625-1H-01	B, H, S			21.56	0.215	4500	0.20	2.40	0.23	34.5	
JF0625-1M-01	B, H, S			19.15	0.172	4000	0.16	1.92	0.20	30.5	
JF0625-1L-01	B, H, S			16.78	0.134	3500	0.13	1.56	0.17	27.4	
JF0625-1E-01	B, H, S			14.26	0.097	3000	0.11	1.32	0.11	23.1	
JF0625-1V-01	B, H, S			11.84	0.070	2500	0.08	0.96	0.08	20.1	
JF0625B2TR01	Dual Ball	24	20.4 ~ 27.6	29.77	0.401	6000	0.20	4.80	0.21	42.1	
JF0625-2UR01	B, H			27.17	0.338	5500	0.16	3.84	0.16	40.1	
JF0625-2S-01	B, H			24.12	0.263	5000	0.13	3.12	0.14	37.2	
JF0625-2H-01	B, H, S			21.56	0.215	4500	0.12	2.88	0.17	34.5	
JF0625-2M-01	B, H, S			19.15	0.172	4000	0.11	2.64	0.13	30.5	
JF0625-2L-01	B, H, S			16.78	0.134	3500	0.10	2.40	0.12	27.4	
JF0625-2E-01	B, H, S			14.26	0.097	3000	0.07	1.68	0.07	23.1	
JF0625-2V-01	B, H, S			11.84	0.070	2500	0.06	1.44	0.06	20.1	

Specifications subject to change without notice

The 7TH character of Model No means the bearing code. Please refer to the page "PART NUMBER SYSTEM". Please contact us for detail if your request bearing system is not shown in the above list.



Unit: mm

DC FAN

60x60x25 mm

JF0625-02 Series

JAMICON



- **Frame** : Plastic Material UL 94V-0
- **Impeller** : Plastic Material UL 94V-0
- **Speed Range** : $\pm 10\%$

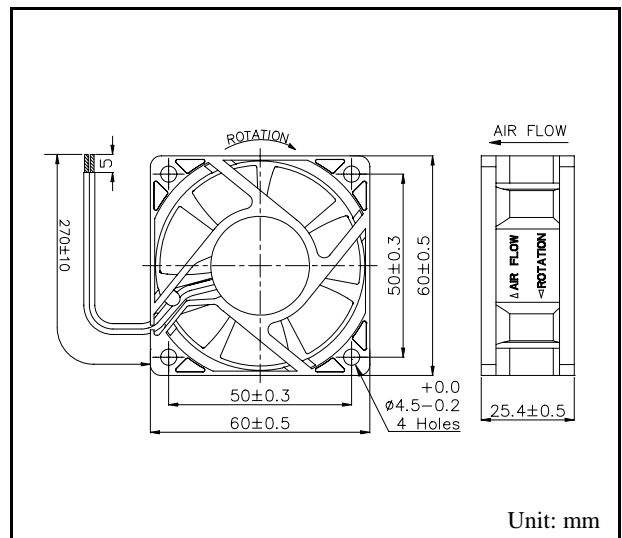
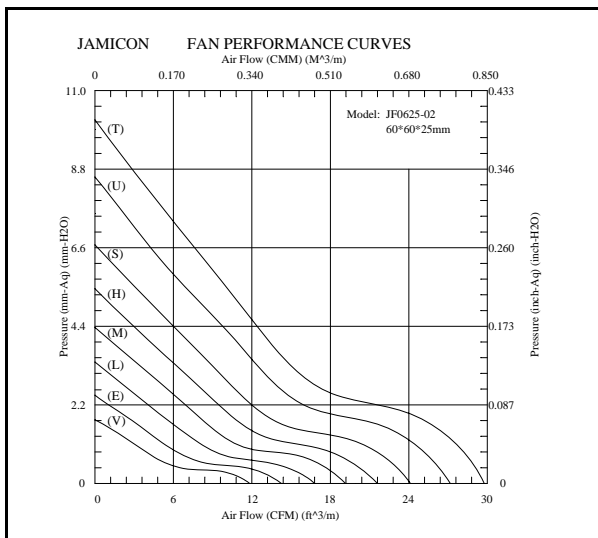
• SPECIFICATIONS

Model	Bearing	Rated Voltage (V)	Operating Voltage (V)	Air Flow (CFM)	Static Pressure (inchH ₂ O)	Speed (R.P.M.)	Input Current (Amp)	Input Power (Watt)	Nominal Current (Amp)	Noise (dBA)	Weight (g)
JF0625B1TR02	Dual Ball	12	10.2 ~ 13.8	29.77	0.401	6000	0.37	4.44	0.38	42.1	55
JF0625-1UR02	B, H			27.17	0.338	5500	0.29	3.48	0.30	40.1	
JF0625-1S-02	B, H, S			24.12	0.263	5000	0.22	2.64	0.22	37.2	
JF0625-1H-02	B, H, S			21.56	0.215	4500	0.20	2.40	0.23	34.5	
JF0625-1M-02	B, H, S			19.15	0.172	4000	0.16	1.92	0.20	30.5	
JF0625-1L-02	B, H, S			16.78	0.134	3500	0.13	1.56	0.17	27.4	
JF0625-1E-02	B, H, S			14.26	0.097	3000	0.11	1.32	0.11	23.1	
JF0625-1V-02	B, H, S			11.84	0.070	2500	0.08	0.96	0.08	20.1	
JF0625B2TR02	Dual Ball	24	20.4 ~ 27.6	29.77	0.401	6000	0.20	4.80	0.21	42.1	
JF0625-2UR02	B, H			27.17	0.338	5500	0.16	3.84	0.16	40.1	
JF0625-2S-02	B, H			24.12	0.263	5000	0.13	3.12	0.14	37.2	
JF0625-2H-02	B, H, S			21.56	0.215	4500	0.12	2.88	0.17	34.5	
JF0625-2M-02	B, H, S			19.15	0.172	4000	0.11	2.64	0.13	30.5	
JF0625-2L-02	B, H, S			16.78	0.134	3500	0.10	2.40	0.12	27.4	
JF0625-2E-02	B, H, S			14.26	0.097	3000	0.07	1.68	0.07	23.1	
JF0625-2V-02	B, H, S			11.84	0.070	2500	0.06	1.44	0.06	20.1	

Specifications subject to change without notice

The 7TH character of Model No means the bearing code. Please refer to the page "PART NUMBER SYSTEM".

Please contact us for detail if your request bearing system is not shown in the above list.



Unit: mm

80X80X15 mm

JF0815-03 Series



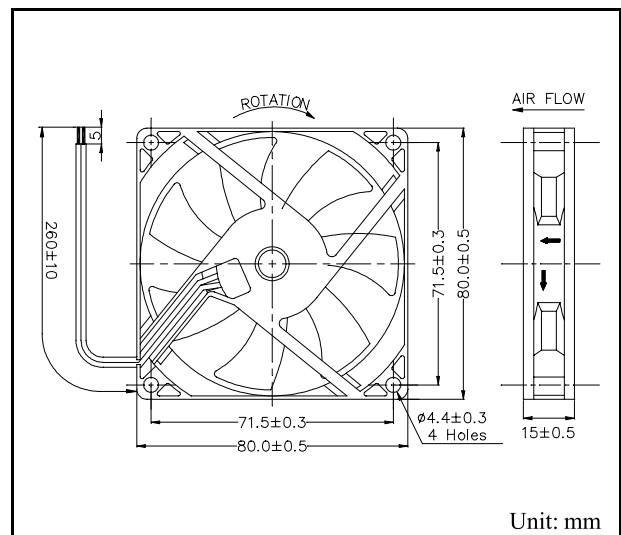
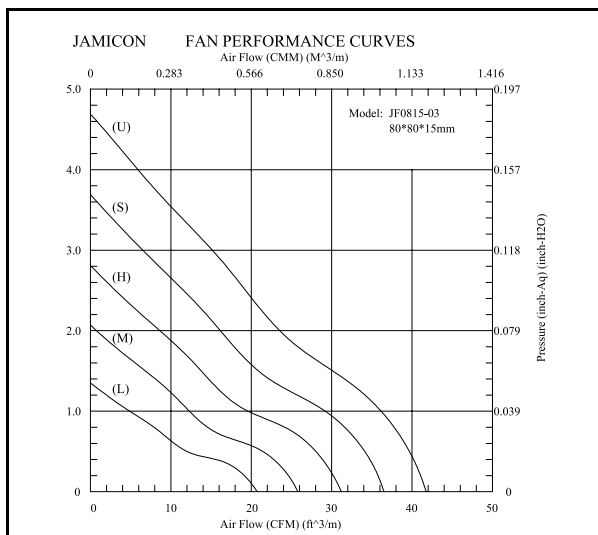
- **Frame** : Plastic Material UL 94V-0
- **Impeller** : Plastic Material UL 94V-0
- **Speed Range** : $\pm 10\%$

SPECIFICATIONS

Model	Bearing	Rated Voltage (V)	Operating Voltage (V)	Air Flow (CFM)	Static Pressure (inchH ₂ O)	Speed (R.P.M.)	Input Current (Amp)	Input Power (Watt)	Nominal Current (Amp)	Noise (dBA)	Weight (g)
JF0815-1UR03	B, H	12	10.2 ~ 13.8	41.75	0.185	4000	0.31	3.72	0.34	38.0	44
JF0815-1SR03	B, H, S			36.50	0.145	3500	0.20	2.40	0.22	35.2	
JF0815-1H-03	B, H, S			31.22	0.111	3000	0.15	1.80	0.17	30.3	
JF0815-1M-03	B, H, S			25.79	0.081	2500	0.10	1.20	0.11	25.6	
JF0815-1L-03	B, H, S			20.73	0.053	2000	0.05	0.60	0.06	21.6	
JF0815-2UR03	B, H	24	20.4 ~ 27.6	41.75	0.185	4000	0.15	3.60	0.17	38.0	
JF0815-2SR03	B, H			36.50	0.145	3500	0.11	2.64	0.14	35.2	
JF0815-2H-03	B, H, S			31.22	0.111	3000	0.09	2.16	0.10	30.3	
JF0815-2M-03	B, H, S			25.79	0.081	2500	0.06	1.44	0.07	25.6	
JF0815-2L-03	B, H, S			20.73	0.053	2000	0.05	1.20	0.06	21.6	

Specifications subject to change without notice

The 7TH character of Model No means the bearing code. Please refer to the page "PART NUMBER SYSTEM". Please contact us for detail if your request bearing system is not shown in the above list.



80X80X25 mm

JF0825-00 Series



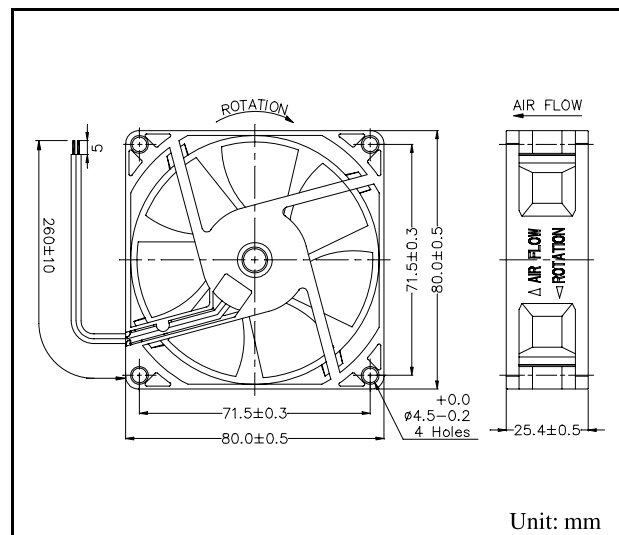
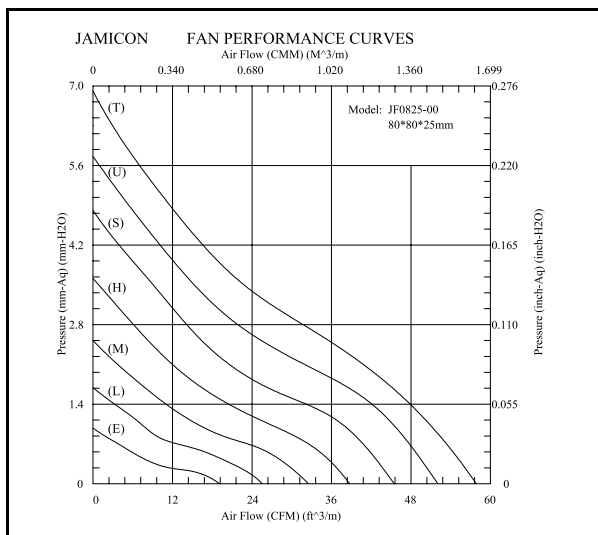
- **Frame** : Plastic Material UL 94V-0
- **Impeller** : Plastic Material UL 94V-0
- **Speed Range** : ±10%

SPECIFICATIONS

Model	Bearing	Rated Voltage (V)	Operating Voltage (V)	Air Flow (CFM)	Static Pressure (inchH ₂ O)	Speed (R.P.M.)	Input Current (Amp)	Input Power (Watt)	Nominal Current (Amp)	Noise (dBA)	Weight (g)
JF0825B1UR00	Dual Ball	12	10.2 ~ 13.8	52.06	0.227	4000	0.37	4.44	0.37	40.0	80
JF0825-1SR00	B, S			45.46	0.189	3500	0.26	3.12	0.26	35.8	
JF0825-1H-00	B, S			38.74	0.142	3000	0.19	2.28	0.19	31.0	
JF0825-1M-00	B, S			32.52	0.099	2500	0.13	1.56	0.15	27.8	
JF0825-1L-00	B, S			25.54	0.067	2000	0.09	1.08	0.10	22.2	
JF0825-1E-00	B, S			19.09	0.039	1500	0.06	0.72	0.06	15.9	
JF0825B2TR00	Dual Ball	24	20.4 ~ 27.6	57.84	0.272	4500	0.27	6.48	0.27	42.4	
JF0825B2UR00	Dual Ball			52.06	0.227	4000	0.21	5.04	0.21	40.0	
JF0825-2SR00	B, S			45.46	0.189	3500	0.16	3.84	0.17	35.8	
JF0825-2H-00	B, S			38.74	0.142	3000	0.13	3.12	0.15	31.0	
JF0825-2M-00	B, S			32.52	0.099	2500	0.10	2.40	0.13	27.8	
JF0825-2L-00	B, S			25.54	0.067	2000	0.08	1.92	0.10	22.2	
JF0825-2E-00	B, S	19.09	0.039	1500	0.04	0.96	0.05	15.9			
JF0825B4SR00	Dual Ball	48	40.8 ~ 60.0	45.46	0.189	3500	0.10	4.80	0.10	35.8	
JF0825B4HR00				38.74	0.142	3000	0.08	3.84	0.08	31.0	
JF0825B4MR00				32.52	0.099	2500	0.06	2.88	0.06	27.8	
JF0825B4LR00				25.54	0.067	2000	0.05	2.40	0.05	22.2	

Specifications subject to change without notice

The 7TH character of Model No means the bearing code. Please refer to the page "PART NUMBER SYSTEM". Please contact us for detail if your request bearing system is not shown in the above list.



80X80X25 mm

JF0825-01 Series



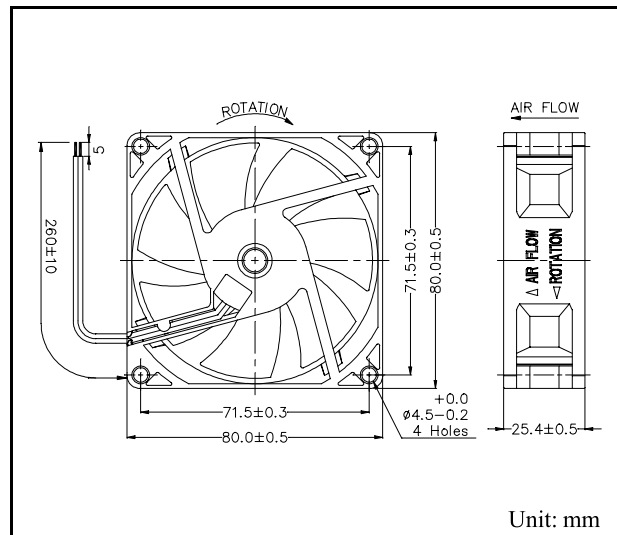
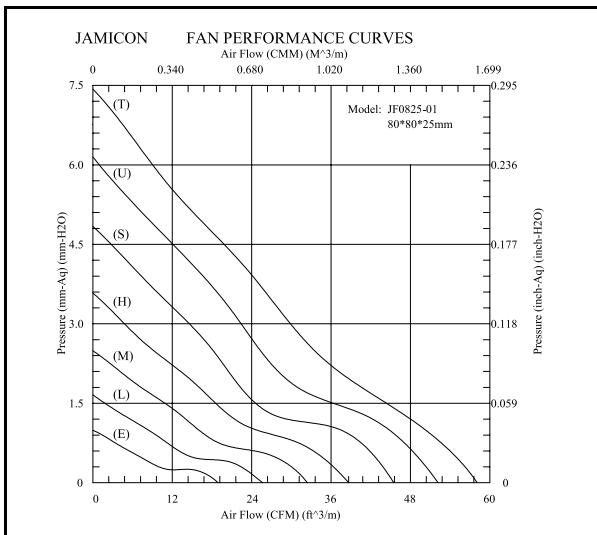
- **Frame** : Plastic Material UL 94V-0
- **Impeller** : Plastic Material UL 94V-0
- **Speed Range** : $\pm 10\%$

SPECIFICATIONS

Model	Bearing	Rated Voltage (V)	Operating Voltage (V)	Air Flow (CFM)	Static Pressure (inchH ₂ O)	Speed (R.P.M.)	Input Current (Amp)	Input Power (Watt)	Nominal Current (Amp)	Noise (dBA)	Weight (g)
JF0825-1UR01	B, H	12	10.2 ~ 13.8	52.20	0.242	4000	0.37	4.44	0.37	40.7	70
JF0825-1SR01	B, H, S			45.50	0.191	3500	0.26	3.12	0.26	36.7	
JF0825-1H-01	B, H, S			38.39	0.141	3000	0.19	2.28	0.19	32.1	
JF0825-1M-01	B, H, S			32.41	0.098	2500	0.13	1.56	0.15	28.8	
JF0825-1L-01	B, H, S			25.66	0.065	2000	0.09	1.08	0.10	22.4	
JF0825-1E-01	B, H, S			18.93	0.039	1500	0.06	0.72	0.06	13.9	
JF0825-2TR01	B, H	24	20.4 ~ 27.6	58.10	0.293	4500	0.27	6.48	0.27	43.9	
JF0825-2UR01	B, H			52.20	0.242	4000	0.21	5.04	0.21	40.7	
JF0825-2SR01	B, H, S			45.50	0.191	3500	0.16	3.84	0.17	36.7	
JF0825-2H-01	B, H, S			38.39	0.141	3000	0.13	3.12	0.15	32.1	
JF0825-2M-01	B, H, S			32.41	0.098	2500	0.10	2.40	0.13	28.8	
JF0825-2L-01	B, H, S			25.66	0.065	2000	0.08	1.92	0.10	22.4	
JF0825-2E-01	B, H, S	48	40.8 ~ 60.0	18.93	0.039	1500	0.04	0.96	0.05	13.9	
JF0825B4SR01	Dual Ball			45.50	0.191	3500	0.10	4.80	0.10	36.7	
JF0825B4HR01				38.39	0.141	3000	0.08	3.84	0.08	32.1	
JF0825B4MR01				32.41	0.098	2500	0.06	2.88	0.06	28.8	
JF0825B4LR01				25.66	0.065	2000	0.05	2.40	0.05	22.4	

Specifications subject to change without notice

The 7TH character of Model No means the bearing code. Please refer to the page "PART NUMBER SYSTEM". Please contact us for detail if your request bearing system is not shown in the above list.



80X80X25 mm

JF0825-02 Series

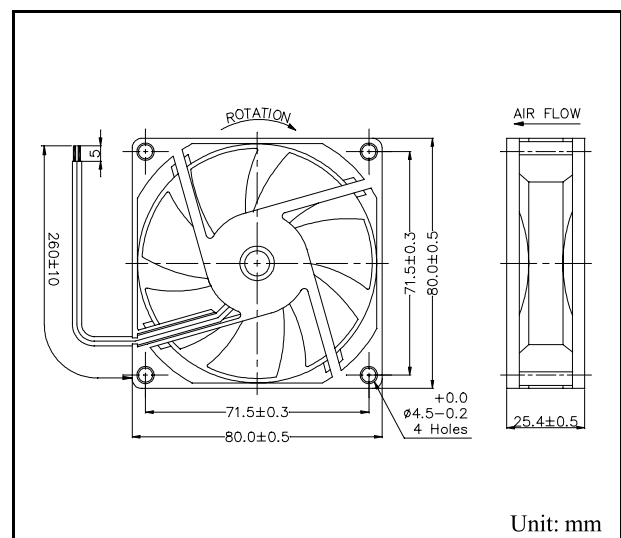
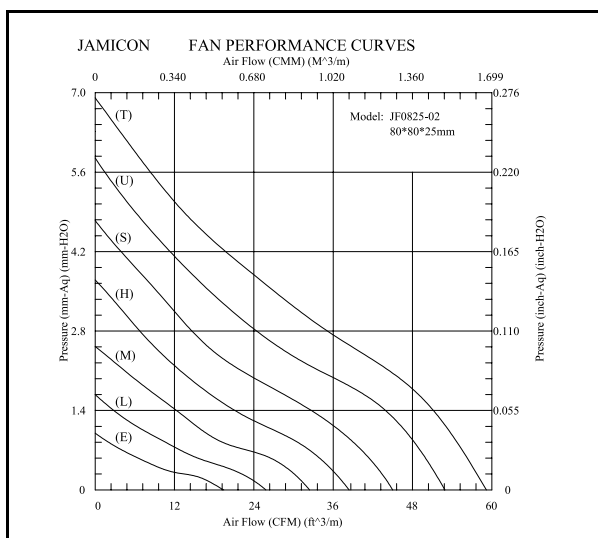


- **Frame** : Plastic Material UL 94V-0
- **Impeller** : Plastic Material UL 94V-0
- **Speed Range** : ±10%

SPECIFICATIONS											
Model	Bearing	Rated Voltage (V)	Operating Voltage (V)	Air Flow (CFM)	Static Pressure (inchH ₂ O)	Speed (R.P.M.)	Input Current (Amp)	Input Power (Watt)	Nominal Current (Amp)	Noise (dBA)	Weight (g)
JF0825-1UR02	B, H	12	10.2 ~ 13.8	52.90	0.230	4000	0.37	4.44	0.37	40.8	80
JF0825-1SR02	B, H, S			45.00	0.187	3500	0.26	3.12	0.26	35.9	
JF0825-1H-02	B, H, S			38.67	0.146	3000	0.19	2.28	0.19	31.4	
JF0825-1M-02	B, H, S			32.42	0.100	2500	0.13	1.56	0.15	27.9	
JF0825-1L-02	B, H, S			25.81	0.066	2000	0.09	1.08	0.10	22.1	
JF0825-1E-02	B, H, S			19.43	0.039	1500	0.06	0.72	0.06	17.5	
JF0825-2TR02	B, H	24	20.4 ~ 27.6	59.12	0.272	4500	0.27	6.48	0.27	43.5	
JF0825-2UR02	B, H			52.90	0.230	4000	0.21	5.04	0.21	40.8	
JF0825-2SR02	B, H, S			45.00	0.187	3500	0.16	3.84	0.17	35.9	
JF0825-2H-02	B, H, S			38.67	0.146	3000	0.13	3.12	0.15	31.4	
JF0825-2M-02	B, H, S			32.42	0.100	2500	0.10	2.40	0.13	27.9	
JF0825-2L-02	B, H, S			25.81	0.066	2000	0.08	1.92	0.10	22.1	
JF0825-2E-02	B, H, S	48	40.8 ~ 60.0	19.43	0.039	1500	0.04	0.96	0.05	17.5	
JF0825B4SR02	Dual Ball			45.00	0.187	3500	0.10	4.80	0.10	35.9	
JF0825B4HR02				38.67	0.146	3000	0.08	3.84	0.08	31.4	
JF0825B4MR02				32.42	0.100	2500	0.06	2.88	0.06	27.9	
JF0825B4LR02				25.81	0.066	2000	0.05	2.40	0.05	22.1	

Specifications subject to change without notice

The 7TH character of Model No means the bearing code. Please refer to the page "PART NUMBER SYSTEM". Please contact us for detail if your request bearing system is not shown in the above list.



80X80X25 mm

JF0825-03 Series

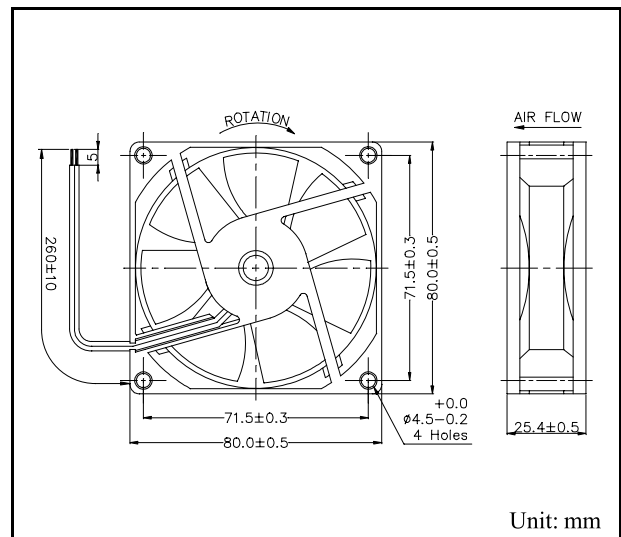
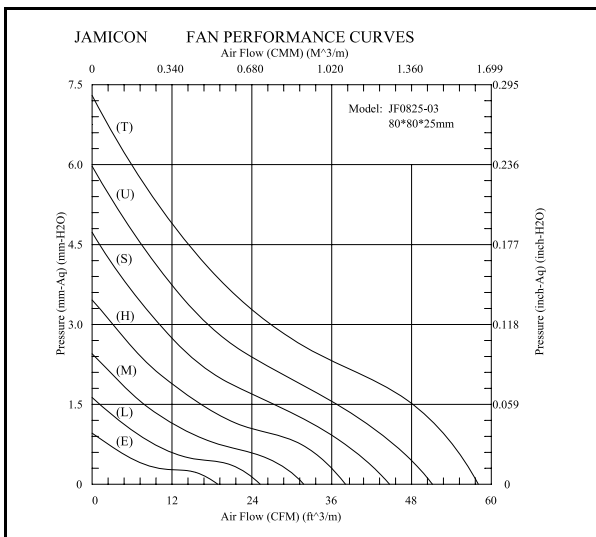


- **Frame** : Plastic Material UL 94V-0
- **Impeller** : Plastic Material UL 94V-0
- **Speed Range** : ±10%

SPECIFICATIONS											
Model	Bearing	Rated Voltage (V)	Operating Voltage (V)	Air Flow (CFM)	Static Pressure (inchH ₂ O)	Speed (R.P.M.)	Input Current (Amp)	Input Power (Watt)	Nominal Current (Amp)	Noise (dBA)	Weight (g)
JF0825B1UR03	Dual Ball	12	10.2 ~ 13.8	51.15	0.235	4000	0.37	4.44	0.37	39.1	80
JF0825-1SR03	B, S			44.70	0.186	3500	0.26	3.12	0.26	34.9	
JF0825-1H-03	B, S			38.07	0.136	3000	0.19	2.28	0.19	31.6	
JF0825-1M-03	B, S			31.80	0.096	2500	0.13	1.56	0.15	28.5	
JF0825-1L-03	B, S			25.26	0.064	2000	0.09	1.08	0.10	21.5	
JF0825-1E-03	B, S			18.88	0.038	1500	0.06	0.72	0.06	15.4	
JF0825B2TR03	Dual Ball	24	20.4 ~ 27.6	58.04	0.287	4500	0.27	6.48	0.27	41.9	
JF0825B2UR03	Dual Ball			51.15	0.235	4000	0.21	5.04	0.21	39.1	
JF0825-2SR03	B, S			44.70	0.186	3500	0.16	3.84	0.17	34.9	
JF0825-2H-03	B, S			38.07	0.136	3000	0.13	3.12	0.15	31.6	
JF0825-2M-03	B, S			31.80	0.096	2500	0.10	2.40	0.13	28.5	
JF0825-2L-03	B, S			25.26	0.064	2000	0.08	1.92	0.10	21.5	
JF0825-2E-03	B, S	18.88	0.038	1500	0.04	0.96	0.05	15.4			
JF0825B4SR03	Dual Ball	48	40.8 ~ 60.0	44.70	0.186	3500	0.10	4.80	0.10	34.9	
JF0825B4HR03				38.07	0.136	3000	0.08	3.84	0.08	31.6	
JF0825B4MR03				31.80	0.096	2500	0.06	2.88	0.06	28.5	
JF0825B4LR03				25.26	0.064	2000	0.05	2.40	0.05	21.5	
JF0825B4LR03				25.26	0.064	2000	0.05	2.40	0.05	21.5	

Specifications subject to change without notice

The 7TH character of Model No means the bearing code. Please refer to the page "PART NUMBER SYSTEM". Please contact us for detail if your request bearing system is not shown in the above list.



DC FAN

JAMICON®

80X80X25 mm

JF0825-06 Series



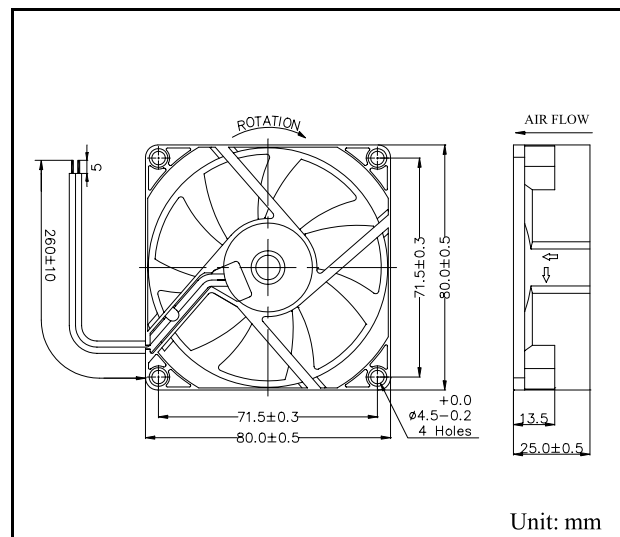
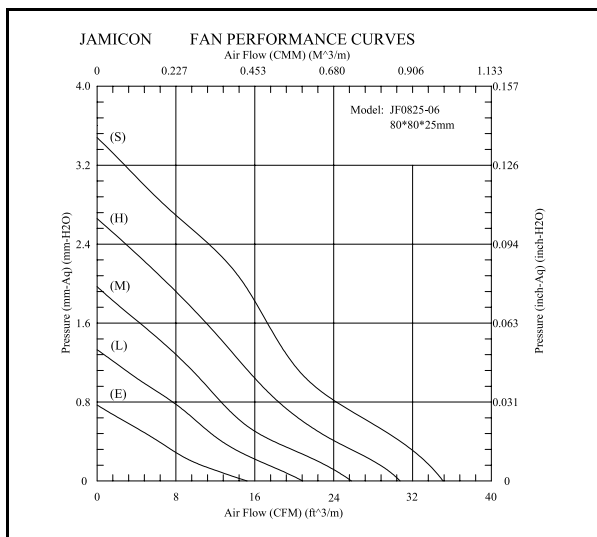
- **Frame** : Plastic Material UL 94V-0
- **Impeller** : Plastic Material UL 94V-0
- **Speed Range** : ±10%

SPECIFICATIONS

Model	Bearing	Rated Voltage (V)	Operating Voltage (V)	Air Flow (CFM)	Static Pressure (inchH ₂ O)	Speed (R.P.M.)	Input Current (Amp)	Input Power (Watt)	Nominal Current (Amp)	Noise (dBA)	Weight (g)
JF0825-1SR06	H, S	12	10.2 ~ 13.8	35.19	0.137	3500	0.26	3.12	0.26	38.0	53
JF0825-1H-06	H, S			30.73	0.105	3000	0.19	2.28	0.19	33.5	
JF0825-1M-06	H, S			25.80	0.078	2500	0.13	1.56	0.15	29.0	
JF0825-1L-06	H, S			20.85	0.052	2000	0.09	1.08	0.10	23.2	
JF0825-1E-06	H, S			15.22	0.030	1500	0.06	0.72	0.06	15.8	
JF0825-2S-06	H, S	24	20.4 ~ 27.6	35.19	0.137	3500	0.16	3.84	0.17	38.0	
JF0825-2H-06	H, S			30.73	0.105	3000	0.13	3.12	0.15	33.5	
JF0825-2M-06	H, S			25.80	0.078	2500	0.10	2.40	0.13	29.0	
JF0825-2L-06	H, S			20.85	0.052	2000	0.07	1.68	0.10	23.2	
JF0825-2E-06	H, S			15.22	0.030	1500	0.04	0.96	0.05	15.8	

Specifications subject to change without notice

The 7TH character of Model No means the bearing code. Please refer to the page "PART NUMBER SYSTEM". Please contact us for detail if your request bearing system is not shown in the above list.



92X92X25 mm

JF0925-00 Series

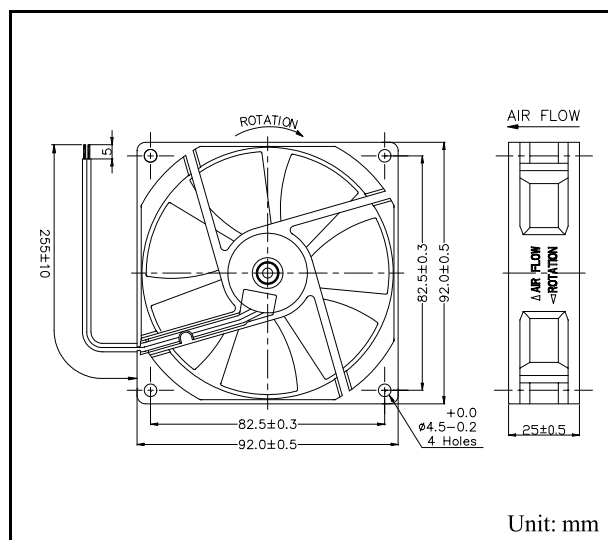
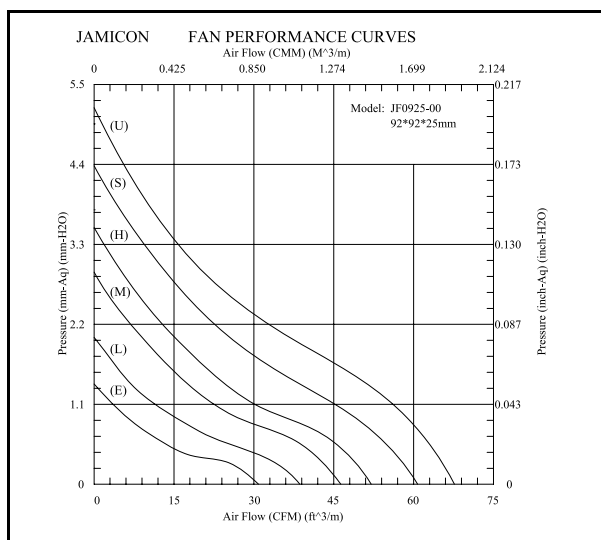


- **Frame** : Plastic Material UL 94V-0
- **Impeller** : Plastic Material UL 94V-0
- **Speed Range** : $\pm 10\%$

SPECIFICATIONS											
Model	Bearing	Rated Voltage (V)	Operating Voltage (V)	Air Flow (CFM)	Static Pressure (inchH ₂ O)	Speed (R.P.M.)	Input Current (Amp)	Input Power (Watt)	Nominal Current (Amp)	Noise (dBA)	Weight (g)
JF0925-1UR00	B, H	12	10.2 ~ 13.8	67.65	0.204	3500	0.35	4.20	0.42	41.9	85
JF0925-1SR00	B, H, S			60.75	0.172	3200	0.31	3.72	0.32	38.9	
JF0925-1H-00	B, H, S			52.04	0.139	2800	0.25	3.00	0.35	35.1	
JF0925-1M-00	B, H, S			46.31	0.115	2500	0.17	2.04	0.20	32.0	
JF0925-1L-00	B, H, S			38.64	0.080	2100	0.13	1.56	0.16	27.6	
JF0925-1E-00	B, H, S			30.86	0.054	1700	0.09	1.08	0.10	23.1	
JF0925-2UR00	B, H	24	20.4 ~ 27.6	67.65	0.204	3500	0.23	4.20	0.24	41.9	
JF0925-2SR00	B, H, S			60.75	0.172	3200	0.18	4.32	0.18	38.9	
JF0925-2H-00	B, H, S			52.04	0.139	2800	0.15	3.60	0.19	35.1	
JF0925-2M-00	B, H, S			46.31	0.115	2500	0.11	2.64	0.15	32.0	
JF0925-2L-00	B, H, S			38.64	0.080	2100	0.08	1.92	0.13	27.6	
JF0925-2E-00	B, H, S			30.86	0.054	1700	0.06	1.44	0.07	23.1	
JF0925B4HR00	Dual Ball	48	40.8 ~ 60.0	52.04	0.139	2800	0.09	4.32	0.09	35.1	
JF0925B4MR00				46.31	0.115	2500	0.08	3.84	0.08	32.0	
JF0925B4LR00				38.64	0.080	2100	0.06	2.88	0.06	27.6	
JF0925B4ER00				30.86	0.054	1700	0.05	2.40	0.05	23.1	

Specifications subject to change without notice

The 7TH character of Model No means the bearing code. Please refer to the page "PART NUMBER SYSTEM". Please contact us for detail if your request bearing system is not shown in the above list.



120X120X25 mm

JF1225-00 Series



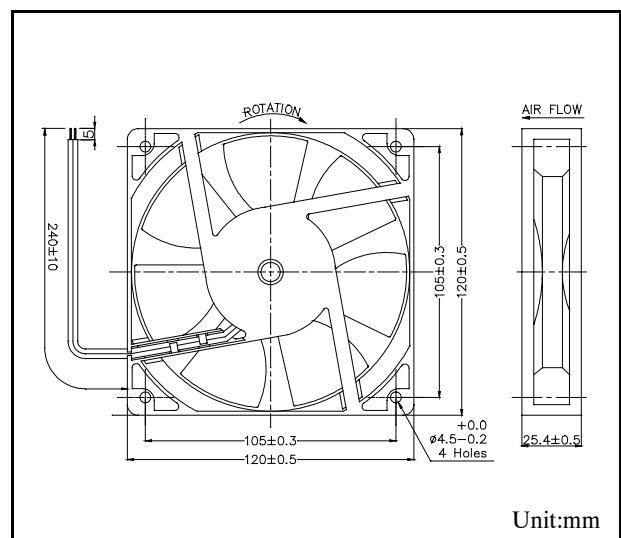
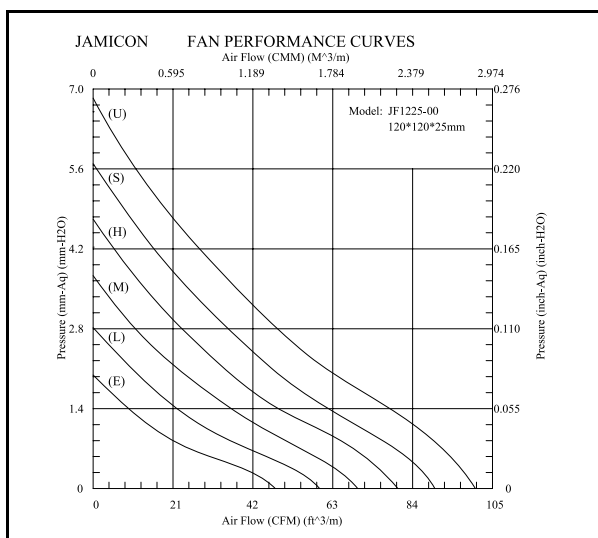
- **Frame** : Plastic Material UL 94V-0
- **Impeller** : Plastic Material UL 94V-0
- **Speed Range** : $\pm 10\%$

SPECIFICATIONS

Model	Bearing	Rated Voltage (V)	Operating Voltage (V)	Air Flow (CFM)	Static Pressure (inchH ₂ O)	Speed (R.P.M.)	Input Current (Amp)	Input Power (Watt)	Nominal Current (Amp)	Noise (dBA)	Weight (g)
JF1225B1UR00	B, H	12	10.2 ~ 13.8	100.50	0.269	3000	0.50	6.00	0.50	45.7	195
JF1225B1SR00	B, H			89.87	0.224	2700	0.37	4.44	0.37	42.8	
JF1225-1H-00	B, H, S			80.11	0.186	2400	0.25	3.00	0.30	39.5	
JF1225-1M-00	B, H, S			69.57	0.147	2100	0.20	2.40	0.25	36.3	
JF1225-1L-00	B, H, S			59.57	0.111	1800	0.14	1.68	0.20	32.4	
JF1225-1E-00	B, H, S			47.88	0.078	1500	0.10	1.20	0.12	27.4	
JF1225B2UR00	B, H	24	20.4 ~ 27.6	100.50	0.269	3000	0.28	6.72	0.28	45.7	
JF1225B2SR00	B, H			89.87	0.224	2700	0.21	5.04	0.21	42.8	
JF1225-2H-00	B, H, S			80.11	0.186	2400	0.20	4.80	0.25	39.5	
JF1225-2M-00	B, H, S			69.57	0.147	2100	0.14	3.36	0.20	36.3	
JF1225-2L-00	B, H, S			59.57	0.111	1800	0.11	2.64	0.15	32.4	
JF1225-2E-00	B, H, S			47.88	0.078	1500	0.08	1.92	0.10	27.4	
JF1225B4UR00	Dual Ball	48	40.8 ~ 60.0	100.50	0.269	3000	0.14	6.72	0.14	45.7	
JF1225B4SR00				89.87	0.224	2700	0.12	5.76	0.12	42.8	
JF1225B4HR00				80.11	0.186	2400	0.10	4.80	0.10	39.5	
JF1225B4MR00				69.57	0.147	2100	0.08	3.84	0.08	36.3	
JF1225B4LR00				59.57	0.111	1800	0.07	3.36	0.07	32.4	
JF1225B4ER00				47.88	0.078	1500	0.06	2.88	0.06	27.4	

Specifications subject to change without notice

The 7TH character of Model No means the bearing code. Please refer to the page "PART NUMBER SYSTEM". Please contact us for detail if your request bearing system is not shown in the above list.



DC FAN JF1225-02 Series

120x120x25 mm



- **Frame** : Plastic Material UL 94V-0
- **Impeller** : Plastic Material UL 94V-0
- **Speed Range** : ±10%

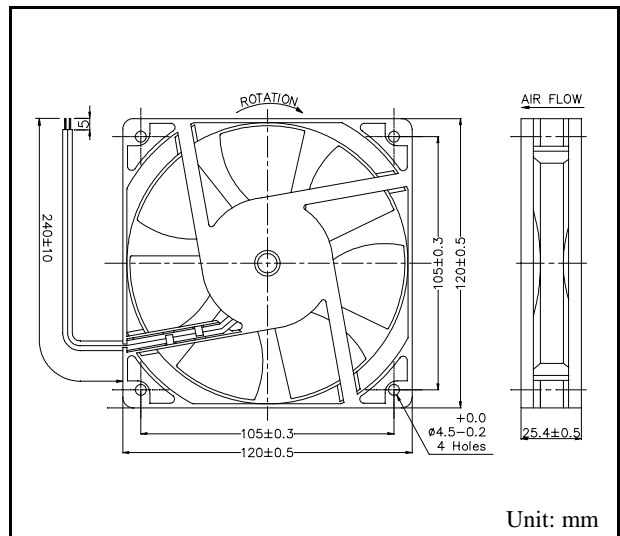
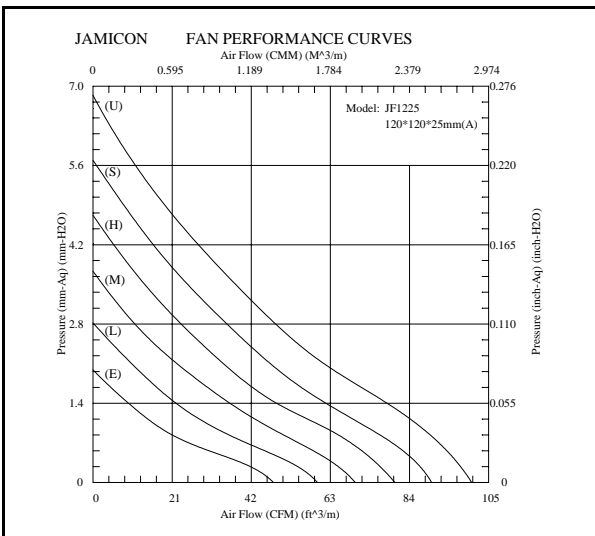
SPECIFICATIONS

Model	Bearing	Rated Voltage (V)	Operating Voltage (V)	Air Flow (CFM)	Static Pressure (inchH ₂ O)	Speed (R.P.M.)	Input Current (Amp)	Input Power (Watt)	Nominal Current (Amp)	Noise (dBA)	Weight (g)
JF1225B1UR02	Dual Ball	12	10.2 ~ 13.8	100.50	0.269	3000	0.50	6.00	0.50	45.7	195
JF1225B1SR02	Dual Ball			89.87	0.224	2700	0.37	4.44	0.37	42.8	
JF1225-1H-02	B, S			80.11	0.186	2400	0.25	3.00	0.30	39.5	
JF1225-1M-02	B, S			69.57	0.147	2100	0.20	2.40	0.25	36.3	
JF1225-1L-02	B, S			59.57	0.111	1800	0.14	1.68	0.20	32.4	
JF1225-1E-02	B, S			47.88	0.078	1500	0.10	1.20	0.12	27.4	
JF1225B2UR02	Dual Ball	24	20.4~27.6	100.50	0.269	3000	0.28	6.72	0.28	45.7	
JF1225B2SR02	Dual Ball			89.87	0.224	2700	0.21	5.04	0.21	42.8	
JF1225-2H-02	B, S			80.11	0.186	2400	0.20	4.80	0.25	39.5	
JF1225-2M-02	B, S			69.57	0.147	2100	0.14	3.36	0.20	36.3	
JF1225-2L-02	B, S			59.57	0.111	1800	0.11	2.64	0.15	32.4	
JF1225-2E-02	B, S			47.88	0.078	1500	0.08	1.92	0.10	27.4	
JF1225B4UR02	Dual Ball	48	40.8 ~ 60.0	100.50	0.269	3000	0.14	6.72	0.14	45.7	
JF1225B4SR02				89.87	0.224	2700	0.12	5.76	0.12	42.8	
JF1225B4HR02				80.11	0.186	2400	0.10	4.80	0.10	39.5	
JF1225B4MR02				69.57	0.147	2100	0.08	3.84	0.08	36.3	
JF1225B4LR02				59.57	0.111	1800	0.07	3.36	0.07	32.4	
JF1225B4ER02				47.88	0.078	1500	0.06	2.88	0.06	27.4	

Specifications subject to change without notice

The 7TH character of Model No means the bearing code. Please refer to the page “PART NUMBER SYSTEM”.

Please contact us for detail if your request bearing system is not shown in the above list.



DC FAN

JAMICON

120x120x38 mm

JF1238-13 Series



- **Frame** : Plastic Material UL 94V-0
- **Impeller** : Plastic Material UL 94V-0
- **Speed Range** : $\pm 10\%$

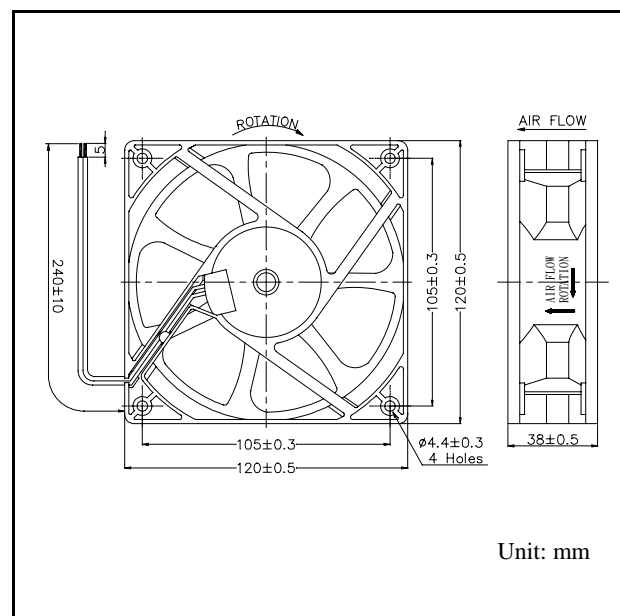
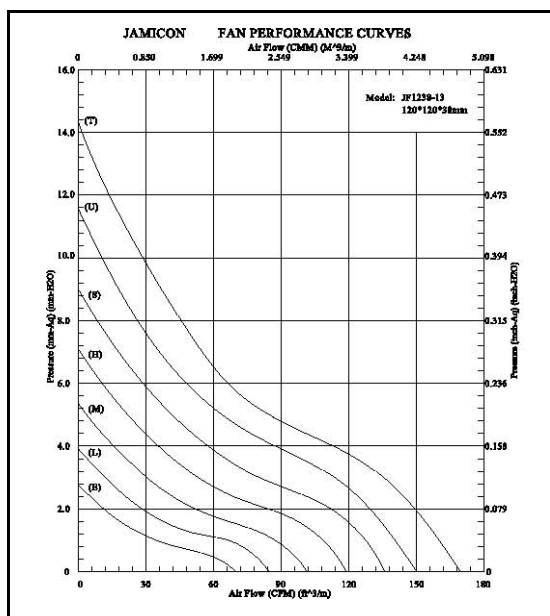
• SPECIFICATIONS

Model	Bearing	Rated Voltage (V)	Operating Voltage (V)	Air Flow (CFM)	Static Pressure (inchH ₂ O)	Speed (R.P.M.)	Input Current (Amp)	Input Power (Watt)	Nominal Current (Amp)	Noise (dBA)	Weight (g)	
JF1238B1TR13	Dual Ball	12	10.2 ~ 13.8	168.9	0.566	4000	1.33	15.96	1.50	53.2	265	
JF1238B1UR13				151.17	0.459	3600	0.93	11.16	1.00	50.6		
JF1238B1SR13				135.8	0.356	3200	0.70	8.40	0.80	47.9		
JF1238-1HR13	B, S			118.7	0.281	2800	0.48	5.76	0.55	43.8		
JF1238-1MR13				101.3	0.213	2400	0.32	3.96	0.38	39.1		
JF1238-1LR13				84.5	0.155	2000	0.20	2.40	0.21	33.8		
JF1238-1ER13	Dual Ball		24	20.4 ~ 27.6	69.6	0.109	1700	0.10	1.20	0.11		29.6
JF1238B2TR13					168.9	0.566	4000	0.53	12.72	0.60		53.2
JF1238B2UR13					151.17	0.459	3600	0.42	10.08	0.46		50.6
JF1238B2SR13	135.8				0.356	3200	0.37	8.88	0.45	47.9		
JF1238-2HR13	B, S				118.7	0.281	2800	0.31	7.44	0.32		43.8
JF1238-2MR13					101.3	0.213	2400	0.22	5.28	0.23		39.1
JF1238-2LR13		84.5	0.155	2000	0.13	3.12	0.14	33.8				
JF1238-2ER13	Dual Ball	48	40.8 ~ 60.0	69.6	0.109	1700	0.09	2.16	0.11	29.6		
JF1238B4TR13				168.9	0.566	4000	0.29	13.92	0.32	53.2		
JF1238B4UR13				151.17	0.459	3600	0.23	11.04	0.25	50.6		
JF1238B4SR13				135.8	0.356	3200	0.20	9.60	0.22	47.9		
JF1238B4HR13				118.7	0.281	2800	0.13	6.24	0.15	43.8		
JF1238B4MR13				101.3	0.213	2400	0.09	4.32	0.11	39.1		
JF1238B4LR13	84.5			0.155	2000	0.07	3.36	0.08	33.8			

Specifications subject to change without notice

The 7TH character of Model No means the bearing code. Please refer to the page "PART NUMBER SYSTEM".

Please contact us for detail if your request bearing system is not shown in the above list



DC FAN

JAMICON®

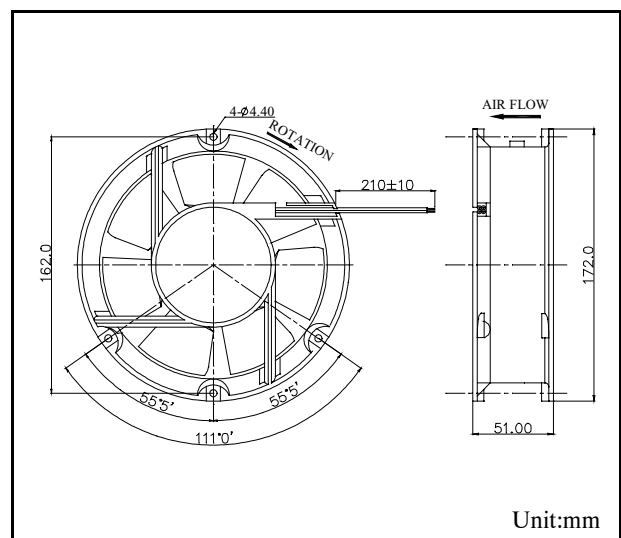
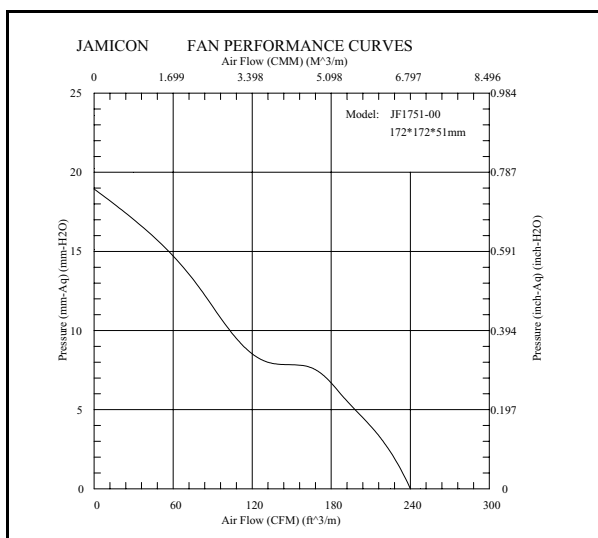
172X172X51 mm

JF1751-00 Series

- **Frame** : Aliminum Alloy, Painted Black
- **Impeller** : Plastic Material UL 94V-0
- **Speed Range** : ±10%



SPECIFICATIONS											
Model	Bearing	Rated Voltage (V)	Operating Voltage (V)	Air Flow (CFM)	Static Pressure (inchH ₂ O)	Speed (R.P.M.)	Input Current (Amp)	Input Power (Watt)	Nominal Current (Amp)	Noise (dBA)	Weight (g)
JF1751B4SP00	Dual ball	48	28~60	240	0.748	3400	0.42	20.16	0.5	57	750



DC FAN

JAMICON®

25X25X10 mm

KF0210-00 Series

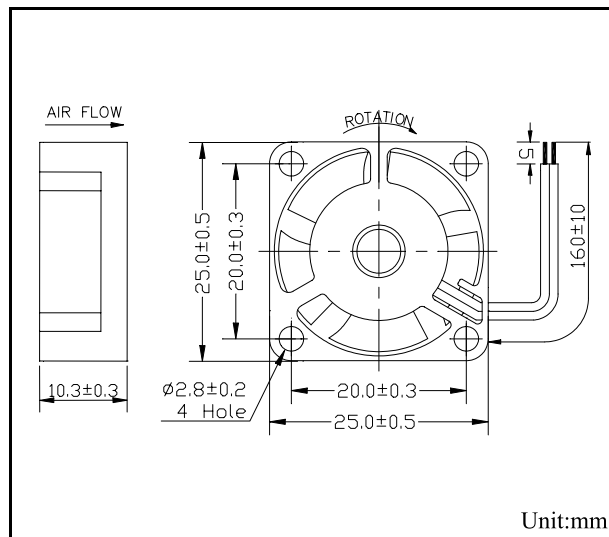
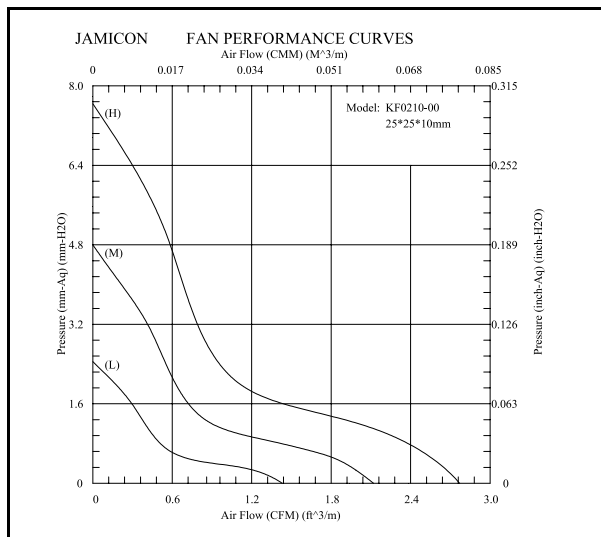
- **Frame** : Plastic Material UL 94V-0
- **Impeller** : Plastic Material UL 94V-0
- **Speed Range** : ±15%



SPECIFICATIONS

Model	Bearing	Rated Voltage (V)	Operating Voltage (V)	Air Flow (CFM)	Static Pressure (inchH ₂ O)	Speed (R.P.M.)	Input Current (Amp)	Input Power (Watt)	Nominal Power (Watt)	Noise (dBA)	Weight (g)	
KF0210B5HR00	Dual Ball	5	4.25~5.75	2.54	0.293	13000	0.22	1.10	1.0	32.1	7	
KF0210B5MR00				1.91	0.183	10000	0.13	0.65	0.8	26.4		
KF0210B5LR00				1.27	0.091	7000	0.10	0.50	0.5	16.7		
KF0210C5HR00	Ball + Sleeve			2.54	0.293	13000	0.20	1.00	1.0	32.1		
KF0210C5MR00				1.91	0.183	10000	0.16	0.80	0.8	26.4		
KF0210S5HR00				Sleeve	2.54	0.293	13000	0.22	1.10	1.1		32.1
KF0210S5MR00	1.91		0.183		10000	0.18	0.90	1.0	26.4			
KF0210S5LR00	1.27		0.091		7000	0.12	0.60	0.7	16.7			
KF0210B1HR00	Dual Ball		12	10.2~13.8	2.54	0.293	13000	0.09	1.08	1.6		32.1
KF0210B1MR00					1.91	0.183	10000	0.07	0.84	0.8		26.4
KF0210B1LR00					1.27	0.091	7000	0.06	0.72	0.7		16.7
KF0210C1HR00	Ball + Sleeve				2.54	0.293	13000	0.10	1.20	1.4		32.1
KF0210C1MR00		1.91			0.183	10000	0.07	0.84	0.8	26.4		
KF0210S1HR00		Sleeve			2.54	0.293	13000	0.12	1.44	1.5	32.1	
KF0210S1MR00	1.91			0.183	10000	0.10	1.20	1.3	26.4			
KF0210S1LR00	1.27			0.091	7000	0.08	0.96	1.2	16.7			

Specifications subject to change without notice



Unit:mm



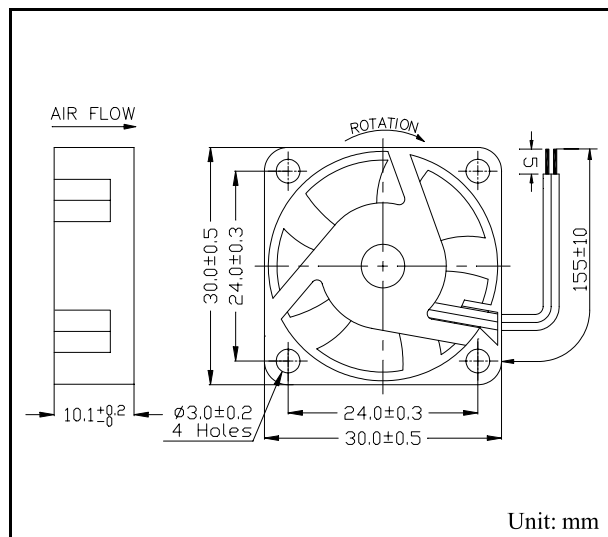
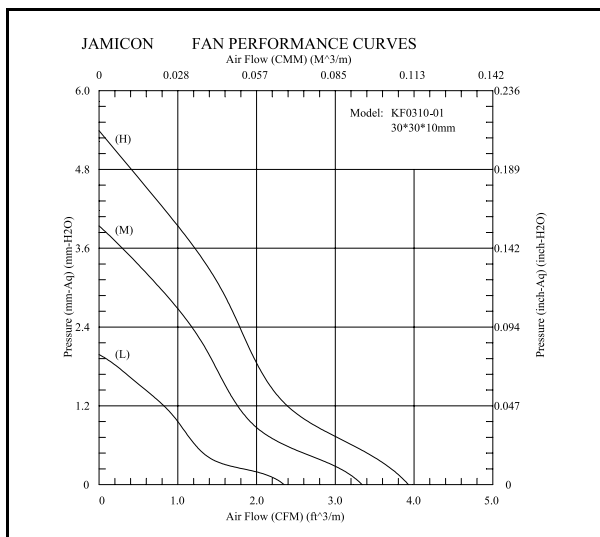
- **Frame** : Plastic Material UL 94V-0
- **Impeller** : Plastic Material UL 94V-0
- **Speed Range** : $\pm 15\%$

SPECIFICATIONS

Model	Bearing	Rated Voltage (V)	Operating Voltage (V)	Air Flow (CFM)	Static Pressure (inchH ₂ O)	Speed (R.P.M.)	Input Current (Amp)	Input Power (Watt)	Nominal Power (Watt)	Noise (dBA)	Weight (g)
KF0310-5HR01	B, C	5	4.25~5.75	3.93	0.212	10000	0.20	1.00	1.0	31.6	8
KF0310-5MR01				3.34	0.155	8500	0.16	0.80	0.9	27.4	
KF0310-5LR01				2.35	0.080	6000	0.08	0.40	0.5	20.1	
KF0310S5HR01	Sleeve			3.93	0.212	10000	0.20	1.00	1.1	31.6	
KF0310S5MR01				3.34	0.155	8500	0.16	0.80	1.0	27.4	
KF0310S5LR01				2.35	0.080	6000	0.09	0.45	0.6	20.1	
KF0310-1HR01	B, C	12	10.2~13.8	3.93	0.212	10000	0.11	1.32	1.4	31.6	
KF0310-1MR01				3.34	0.155	8500	0.08	0.96	1.3	27.4	
KF0310-1LR01				2.35	0.080	6000	0.06	0.72	0.7	20.1	
KF0310S1HR01	Sleeve			3.93	0.212	10000	0.09	1.08	1.5	31.6	
KF0310S1MR01				3.34	0.155	8500	0.06	0.72	1.3	27.4	
KF0310S1LR01				2.35	0.080	6000	0.04	0.48	0.7	20.1	

Specifications subject to change without notice

The 7TH character of Model No means the bearing code. Please refer to the page "PART NUMBER SYSTEM".
Please contact us for detail if your request bearing system is not shown in the above list.



DC FAN

JAMICON®

40X40X10 mm

KF0410-00 Series

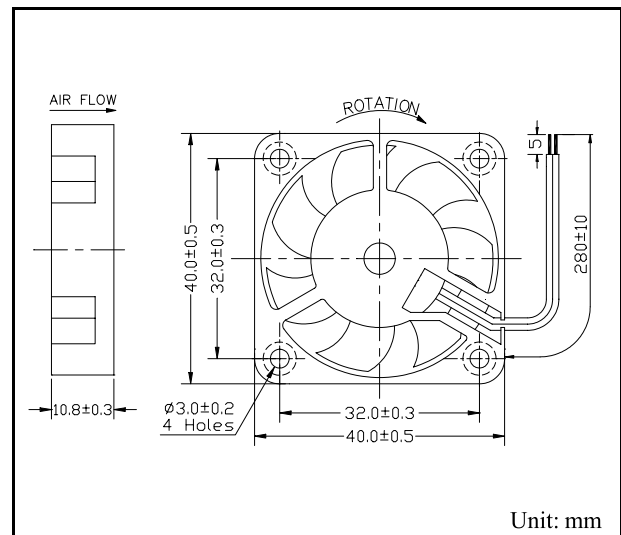
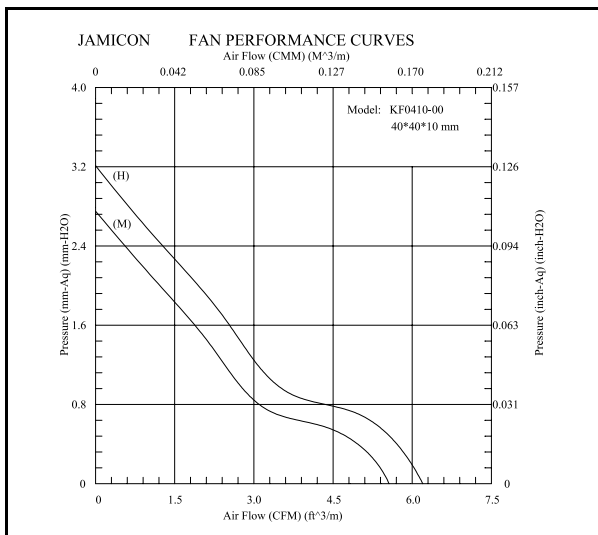
- **Frame** : Plastic Material UL 94V-0
- **Impeller** : Plastic Material UL 94V-0
- **Speed Range** : $\pm 10\%$



SPECIFICATIONS

Model	Bearing	Rated Voltage (V)	Operating Voltage (V)	Air Flow (CFM)	Static Pressure (inchH ₂ O)	Speed (R.P.M.)	Input Current (Amp)	Input Power (Watt)	Nominal Power (Watt)	Noise (dBA)	Weight (g)
KF0410C5H-00	Ball + Sleeve	5	4.25~5.75	6.20	0.126	6000	0.11	0.55	0.9	28.6	17
KF0410C5M-00				5.56	0.108	5400	0.08	0.40	0.6	26.5	
KF0410C1H-00	Ball + Sleeve	12	10.2~13.8	6.20	0.126	6000	0.09	1.08	1.1	28.6	
KF0410C1M-00				5.56	0.108	5400	0.07	0.84	0.7	26.5	

Specifications subject to change without notice



40X40X10 mm

KF0410-01 Series

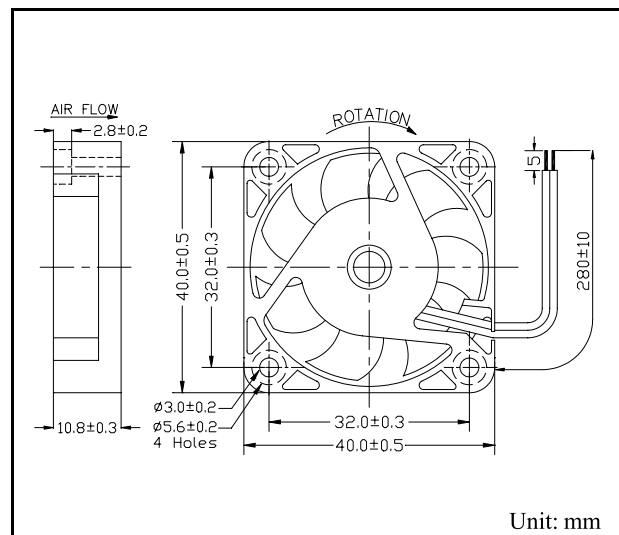
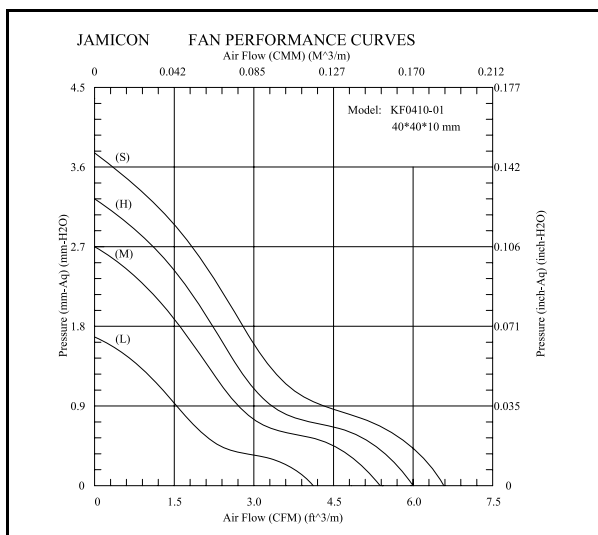
- **Frame** : Plastic Material UL 94V-0
- **Impeller** : Plastic Material UL 94V-0
- **Speed Range** : $\pm 10\%$



SPECIFICATIONS												
Model	Bearing	Rated Voltage (V)	Operating Voltage (V)	Air Flow (CFM)	Static Pressure (inchH ₂ O)	Speed (R.P.M.)	Input Current (Amp)	Input Power (Watt)	Nominal Power (Watt)	Noise (dBA)	Weight (g)	
KF0410B5H-01	Dual Ball	5	4.25~5.75	6.00	0.128	6000	0.13	0.65	0.8	28.0	14	
KF0410B5M-01				5.38	0.106	5400	0.09	0.45	0.5	25.7		
KF0410B5L-01				4.12	0.066	4200	0.07	0.35	0.4	20.9		
KF0410-5H-01	S,H			6.00	0.128	6000	0.20	1.00	1.2	28.0		
KF0410-5M-01				5.38	0.106	5400	0.10	0.50	0.8	25.7		
KF0410-5L-01				4.12	0.066	4200	0.08	0.40	0.6	20.9		
KF0410B1H-01	Dual Ball	12	10.2~13.8	6.00	0.128	6000	0.07	0.84	0.8	28.0		
KF0410B1M-01				5.38	0.106	5400	0.06	0.72	0.7	25.7		
KF0410B1L-01				4.12	0.066	4200	0.05	0.60	0.6	20.9		
KF0410-1H-01	S,H			6.00	0.128	6000	0.08	0.96	1.2	28.0		
KF0410-1M-01				5.38	0.106	5400	0.07	0.84	0.8	25.7		
KF0410-1L-01				4.12	0.066	4200	0.06	0.72	0.7	20.9		
KF0410B2S-01	Dual Ball	24	20.4~27.6	6.58	0.148	6600	0.06	1.44	1.4	30.6		
KF0410B2H-01				6.00	0.128	6000	0.05	1.20	1.2	28.0		
KF0410B2M-01				5.38	0.106	5400	0.04	0.96	1.0	25.7		
KF0410B2L-01				4.12	0.066	4200	0.03	0.72	0.8	20.9		
KF0410-2H-01				S,H	6.00	0.128	6000	0.05	1.20	1.2		28.0
KF0410-2M-01					5.38	0.106	5400	0.04	0.96	1.0		25.7
KF0410-2L-01	4.12	0.066	4200	0.03	0.72	0.8	20.9					

Specifications subject to change without notice

The 7TH character of Model No means the bearing code. Please refer to the page "PART NUMBER SYSTEM". Please contact us for detail if your request bearing system is not shown in the above list.



DC FAN

JAMICON®

40X40X10 mm

KF0410-03 Series



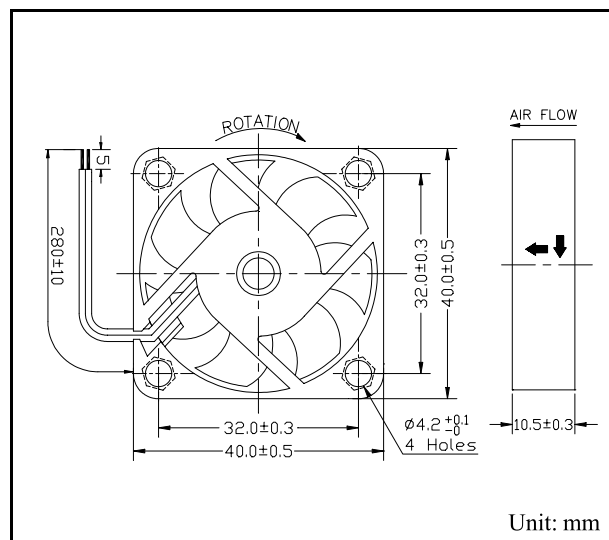
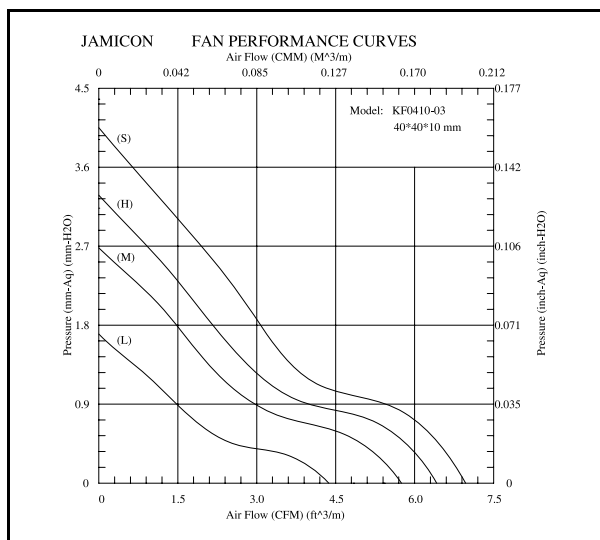
- **Frame** : Plastic Material UL 94V-0
- **Impeller** : Plastic Material UL 94V-0
- **Speed Range** : ±10%

SPECIFICATIONS

Model	Bearing	Rated Voltage (V)	Operating Voltage (V)	Air Flow (CFM)	Static Pressure (inchH ₂ O)	Speed (R.P.M.)	Input Current (Amp)	Input Power (Watt)	Nominal Power (Watt)	Noise (dBA)	Weight (g)	
KF0410B5H-03	Dual Ball	5	4.25~5.75	6.42	0.129	6000	0.13	0.65	0.8	26.4	15	
KF0410B5M-03				5.75	0.106	5400	0.09	0.45	0.5	24.4		
KF0410B5L-03				4.37	0.067	4200	0.07	0.35	0.4	19.9		
KF0410-5H-03	S,H			6.42	0.129	6000	0.20	1.00	1.2	26.4		
KF0410-5M-03				5.75	0.106	5400	0.10	0.50	0.8	24.4		
KF0410-5L-03				4.37	0.067	4200	0.08	0.40	0.6	19.9		
KF0410B1H-03	Dual Ball	12	10.2~13.8	6.42	0.129	6000	0.07	0.84	0.8	26.4		
KF0410B1M-03				5.75	0.106	5400	0.06	0.72	0.7	24.4		
KF0410B1L-03				4.37	0.067	4200	0.05	0.60	0.6	19.9		
KF0410-1H-03	S,H			6.42	0.129	6000	0.08	0.96	1.2	26.4		
KF0410-1M-03				5.75	0.106	5400	0.07	0.84	0.8	24.4		
KF0410-1L-03				4.37	0.067	4200	0.06	0.72	0.7	19.9		
KF0410B2S-03	Dual Ball	24	20.4~27.6	6.97	0.159	6600	0.06	1.44	1.4	29.3		
KF0410B2H-03				6.42	0.129	6000	0.05	1.20	1.2	26.4		
KF0410B2M-03				5.75	0.106	5400	0.04	0.96	1.0	24.4		
KF0410B2L-03				4.37	0.067	4200	0.03	0.72	0.8	19.9		
KF0410-2H-03				S,H	6.42	0.129	6000	0.05	1.20	1.2		26.4
KF0410-2M-03					5.75	0.106	5400	0.04	0.96	1.0		24.4
KF0410-2L-03	4.37	0.067	4200	0.03	0.72	0.8	19.9					

Specifications subject to change without notice

The 7TH character of Model No means the bearing code. Please refer to the page "PART NUMBER SYSTEM".
Please contact us for detail if your request bearing system is not shown in the above list.



DC FAN

JAMICON®

40X40X20 mm

KF0420-01 Series



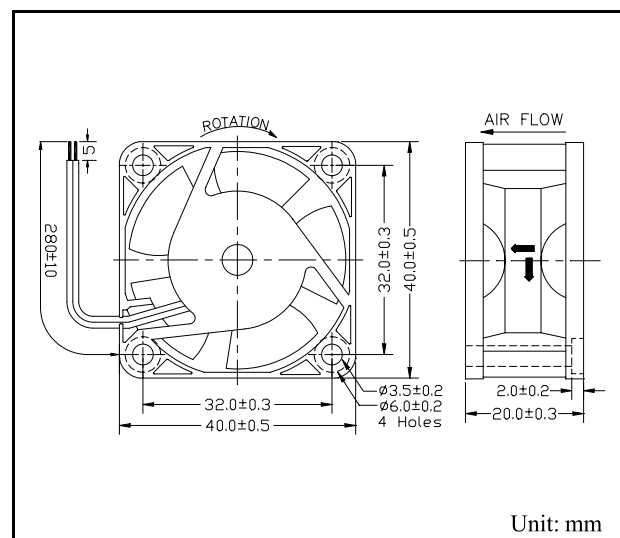
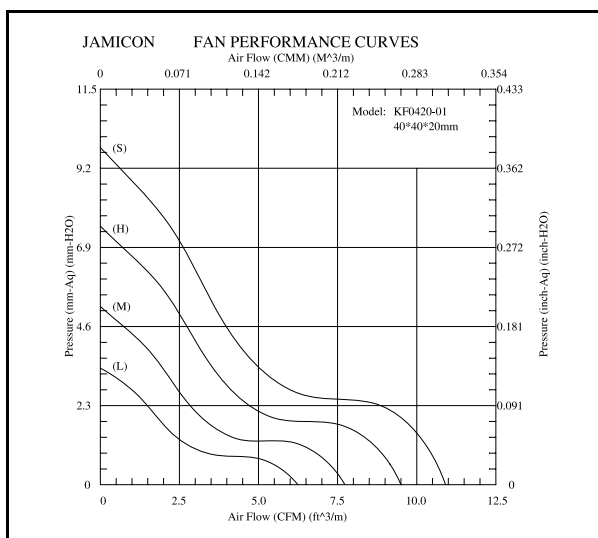
- **Frame** : Plastic Material UL 94V-0
- **Impeller** : Plastic Material UL 94V-0
- **Speed Range** : $\pm 10\%$

SPECIFICATIONS

Model	Bearing	Rated Voltage (V)	Operating Voltage (V)	Air Flow (CFM)	Static Pressure (inchH ₂ O)	Speed (R.P.M.)	Input Current (Amp)	Input Power (Watt)	Nominal Power (Watt)	Noise (dBA)	Weight (g)
KF0420-5H-01	B, H,S	5	4.25~5.75	9.50	0.296	7500	0.23	1.15	1.3	32.6	25
KF0420-5M-01	B, H,S			7.73	0.204	6200	0.15	0.75	0.8	26.5	
KF0420-5L-01	B, H,S			6.24	0.134	5000	0.09	0.45	0.6	22.0	
KF0420-1S-01	B, H	12	10.2~13.8	10.91	0.386	8500	0.13	1.56	1.6	35.2	
KF0420-1H-01	B, H,S			9.50	0.296	7500	0.10	1.20	1.6	32.6	
KF0420-1M-01	B, H,S			7.73	0.204	6200	0.08	0.96	1.3	26.5	
KF0420-1L-01	B, H,S	24	20.4~27.6	6.24	0.134	5000	0.06	0.72	0.8	22.0	
KF0420-2S-01	B, H			10.91	0.386	8500	0.09	2.16	2.6	35.2	
KF0420-2H-01	B, H,S			9.50	0.296	7500	0.07	1.68	2.0	32.6	
KF0420-2M-01	B, H,S	24	20.4~27.6	7.73	0.204	6200	0.05	1.20	1.5	26.5	
KF0420-2L-01	B, H,S			6.24	0.134	5000	0.04	0.96	1.1	22.0	

Specifications subject to change without notice

The 7TH character of Model No means the bearing code. Please refer to the page "PART NUMBER SYSTEM". Please contact us for detail if your request bearing system is not shown in the above list.



DC FAN

JAMICON®

50X50X10 mm

KF0510-00 Series

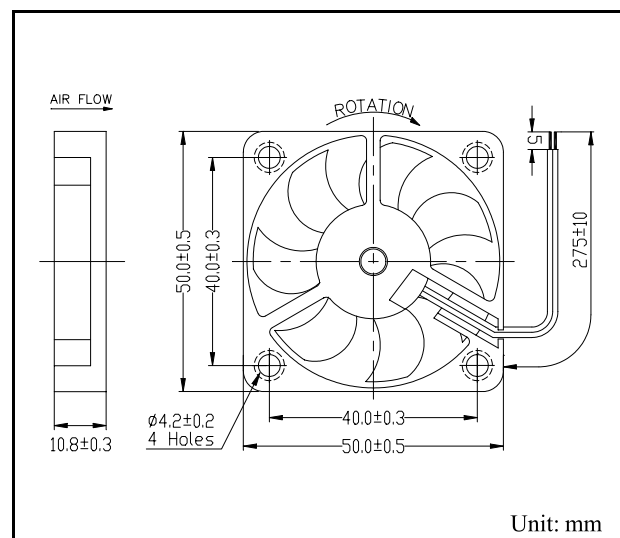
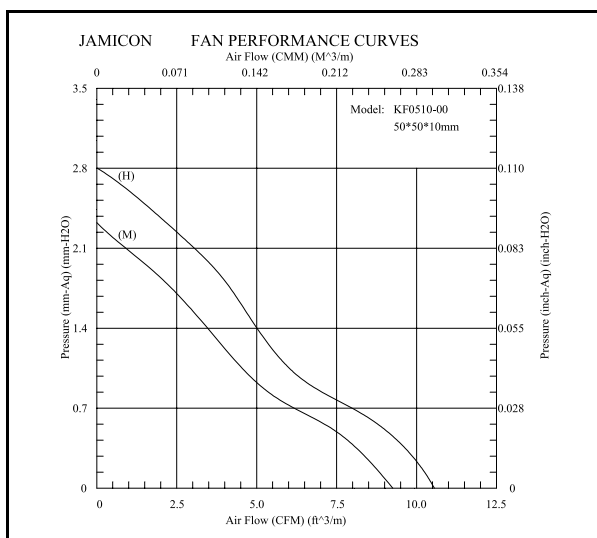


- **Frame** : Plastic Material UL 94V-0
- **Impeller** : Plastic Material UL 94V-0
- **Speed Range** : ±10%

SPECIFICATIONS

Model	Bearing	Rated Voltage (V)	Operating Voltage (V)	Air Flow (CFM)	Static Pressure (inchH ₂ O)	Speed (R.P.M.)	Input Current (Amp)	Input Power (Watt)	Nominal Power (Watt)	Noise (dBA)	Weight (g)
KF0510C5H-00	Ball + Sleeve	5	4.25~5.75	10.56	0.112	5300	0.14	0.70	1.1	30.8	20
KF0510C5M-00				9.27	0.092	4500	0.12	0.60	0.9	26.6	
KF0510C1H-00	Ball + Sleeve	12	10.2~13.8	10.56	0.112	5300	0.11	1.32	1.6	30.8	
KF0510C1M-00				9.27	0.092	4500	0.08	0.96	1	26.6	

Specifications subject to change without notice



50X50X10 mm

KF0510-01 Series



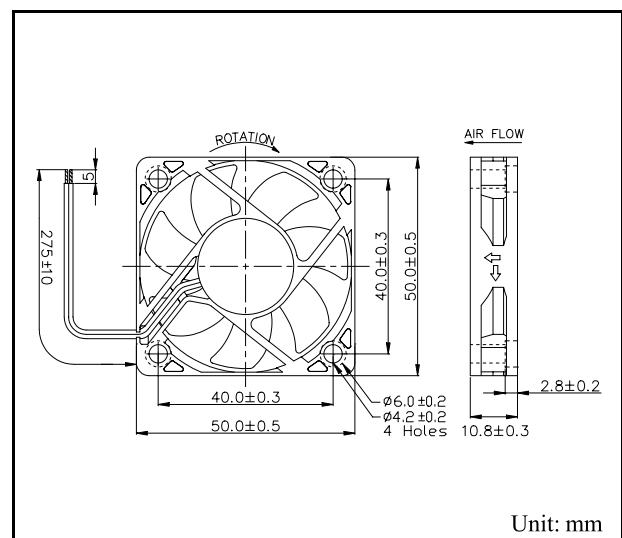
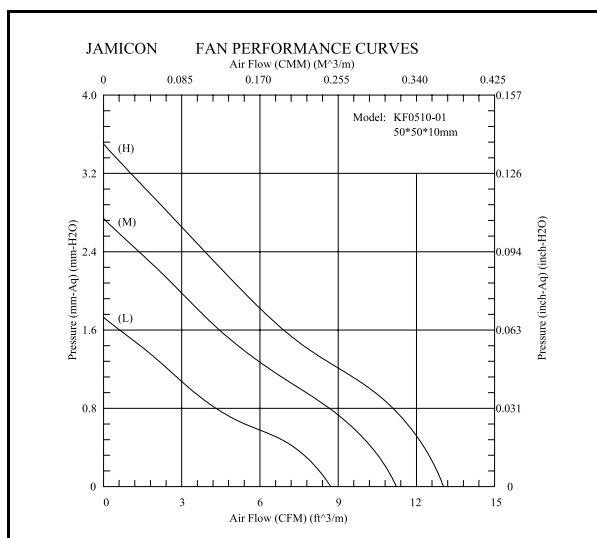
- **Frame** : Plastic Material UL 94V-0
- **Impeller** : Plastic Material UL 94V-0
- **Speed Range** : $\pm 10\%$

SPECIFICATIONS

Model	Bearing	Rated Voltage (V)	Operating Voltage (V)	Air Flow (CFM)	Static Pressure (inchH ₂ O)	Speed (R.P.M.)	Input Current (Amp)	Input Power (Watt)	Nominal Power (Watt)	Noise (dBA)	Weight (g)
KF0510B5H-01	Dual Ball	5	4.25~5.75	13.04	0.138	5200	0.22	1.10	1.1	29.0	17
KF0510B5M-01				11.23	0.108	4500	0.14	0.70	0.9	26.2	
KF0510B5L-01				8.72	0.068	3500	0.09	0.45	0.6	21.2	
KF0510-5H-01	S, H			13.04	0.138	5200	0.23	1.15	1.1	29.0	
KF0510-5M-01				11.23	0.108	4500	0.15	0.75	1.1	26.2	
KF0510-5L-01				8.72	0.068	3500	0.10	0.50	0.7	21.2	
KF0510B1H-01	Dual Ball	12	10.2~13.8	13.04	0.138	5200	0.11	1.32	1.6	29.0	
KF0510B1M-01				11.23	0.108	4500	0.07	0.84	0.8	26.2	
KF0510B1L-01				8.72	0.068	3500	0.05	0.60	0.7	21.2	
KF0510-1H-01	S, H			13.04	0.138	5200	0.12	1.44	1.9	29.0	
KF0510-1M-01				11.23	0.108	4500	0.09	1.08	1.0	26.2	
KF0510-1L-01				8.72	0.068	3500	0.06	0.72	0.8	21.2	
KF0510B2H-01	Dual Ball	24	20.4~27.6	13.04	0.138	5200	0.06	1.44	1.7	29.0	
KF0510B2M-01				11.23	0.108	4500	0.05	1.20	1.5	26.2	
KF0510B2L-01				8.72	0.068	3500	0.04	0.96	1.3	21.2	
KF0510-2H-01	S, H			13.04	0.138	5200	0.07	1.68	1.7	29.0	
KF0510-2M-01				11.23	0.108	4500	0.06	1.44	1.5	26.2	
KF0510-2L-01				8.72	0.068	3500	0.05	1.20	1.3	21.2	

Specifications subject to change without notice

The 7TH character of Model No means the bearing code. Please refer to the page "PART NUMBER SYSTEM". Please contact us for detail if your request bearing system is not shown in the above list.



60X60X10 mm

KF0610-01 Series



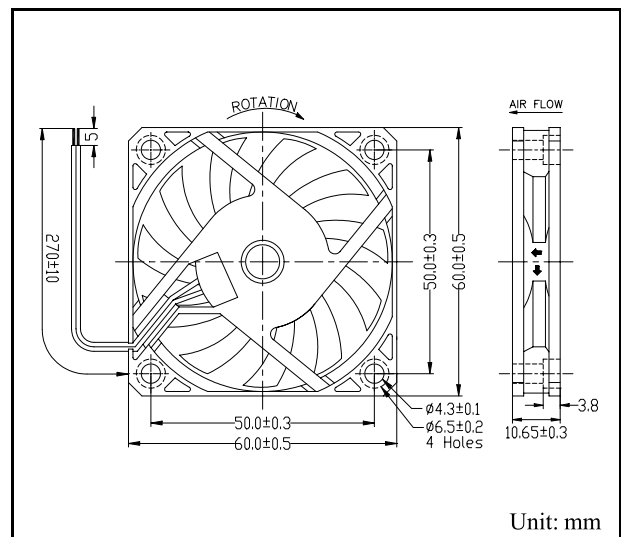
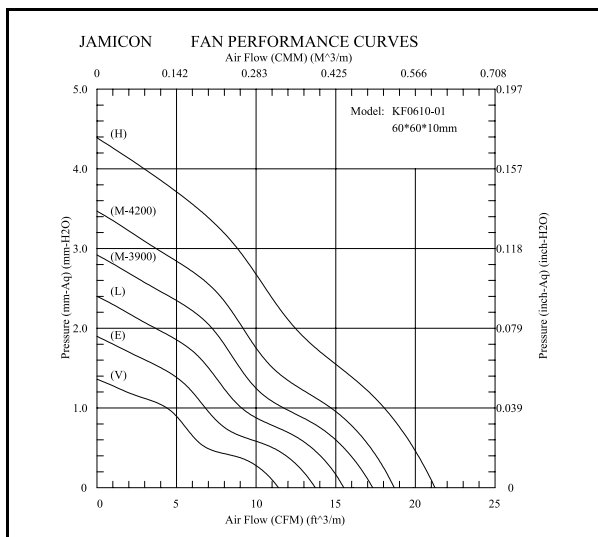
- **Frame** : Plastic Material UL 94V-0
- **Impeller** : Plastic Material UL 94V-0
- **Speed Range** : $\pm 10\%$

SPECIFICATIONS											
Model	Bearing	Rated Voltage (V)	Operating Voltage (V)	Air Flow (CFM)	Static Pressure (inchH ₂ O)	Speed (R.P.M.)	Input Current (Amp)	Input Power (Watt)	Nominal Power (Watt)	Noise (dBA)	Weight (g)
KF0610-5MR01	B, H	5	4.25 ~ 5.75	17.32	0.115	3900	0.38	1.90	2.1	30.8	25
KF0610-5L-01				15.50	0.094	3500	0.24	1.20	1.3	27.2	
KF0610-5E-01				13.71	0.075	3100	0.18	0.90	1.0	24.1	
KF0610-5V-01				11.40	0.054	2600	0.13	0.65	0.8	21.0	
KF0610-1H-01	B, H	12	10.2~13.8	21.23	0.173	4750	0.23	2.76	2.8	36.0	
KF0610-1M-01				18.67	0.137	4200	0.16	1.92	2.0	31.9	
KF0610-1L-01				15.50	0.094	3500	0.13	1.56	1.6	27.2	
KF0610-1E-01				13.71	0.075	3100	0.11	1.32	1.6	24.1	
KF0610-1V-01				11.40	0.054	2600	0.08	0.96	1.6	21.0	

Specifications subject to change without notice

The 7TH character of Model No means the bearing code. Please refer to the page "PART NUMBER SYSTEM".

Please contact us for detail if your request bearing system is not shown in the above list.



60X60X15 mm

KF0615-01 Series

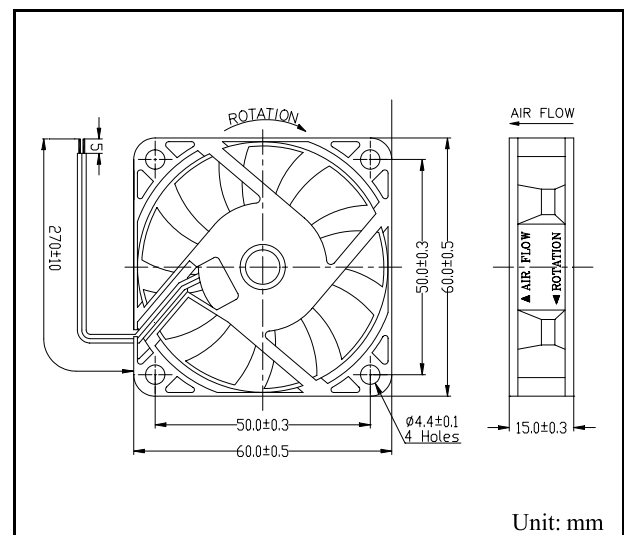
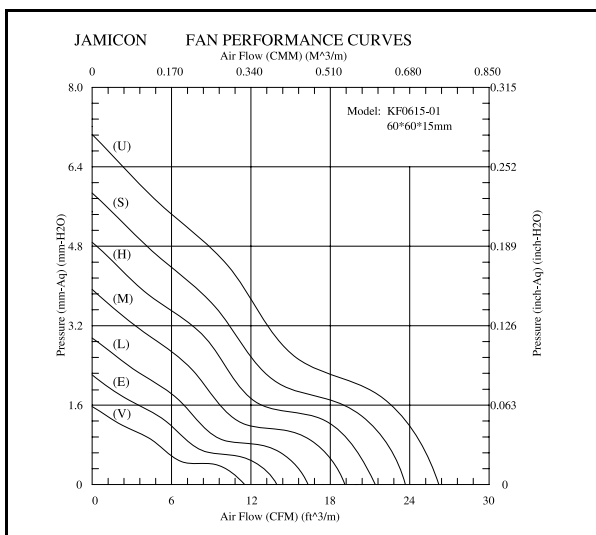


- **Frame** : Plastic Material UL 94V-0
- **Impeller** : Plastic Material UL 94V-0
- **Speed Range** : ±10%

SPECIFICATIONS											
Model	Bearing	Rated Voltage (V)	Operating Voltage (V)	Air Flow (CFM)	Static Pressure (inchH ₂ O)	Speed (R.P.M.)	Input Current (Amp)	Input Power (Watt)	Nominal Power (Watt)	Noise (dBA)	Weight (g)
KF0615-5MR01	B, H	5	4.25 ~ 5.75	19.10	0.155	4000	0.42	2.10	2.4	30.0	35
KF0615-5L-01	B, H, S			16.31	0.116	3500	0.23	1.15	1.3	26.8	
KF0615-5E-01	B, H, S			13.96	0.087	3000	0.16	0.80	0.9	23.0	
KF0615-5V-01	B, H, S			11.53	0.062	2500	0.10	0.50	0.6	20.1	
KF0615-1UR01	B, H	12	10.2 ~ 13.8	26.20	0.278	5500	0.24	2.88	3.1	38.5	
KF0615-1S-01	B, H			23.67	0.231	5000	0.20	2.40	2.5	36.5	
KF0615-1H-01	B, H, S			21.40	0.192	4500	0.19	2.28	2.3	33.1	
KF0615-1M-01	B, H, S			19.10	0.155	4000	0.15	1.80	1.9	30.0	
KF0615-1L-01	B, H, S	24	20.4 ~ 27.6	16.31	0.116	3500	0.10	1.20	1.3	26.8	
KF0615-1E-01	B, H, S			13.96	0.087	3000	0.08	0.96	1.0	23.0	
KF0615-1V-01	B, H, S			11.53	0.062	2500	0.06	0.72	0.8	20.1	
KF0615-2UR01	B, H			26.20	0.278	5500	0.18	4.32	4.6	38.5	
KF0615-2S-01	B, H	24	20.4 ~ 27.6	23.67	0.231	5000	0.15	3.60	3.7	36.5	
KF0615-2H-01	B, H, S			21.40	0.192	4500	0.12	2.88	3.0	33.1	
KF0615-2M-01	B, H, S			19.10	0.155	4000	0.09	2.16	2.3	30.0	
KF0615-2L-01	B, H, S			16.31	0.116	3500	0.07	1.68	1.7	26.8	
KF0615-2E-01	B, H, S	24	20.4 ~ 27.6	13.96	0.087	3000	0.05	1.20	1.4	23.0	
KF0615-2V-01	B, H, S			11.53	0.062	2500	0.04	0.96	1.2	20.1	

Specifications subject to change without notice

The 7TH character of Model No means the bearing code. Please refer to the page "PART NUMBER SYSTEM".
Please contact us for detail if your request bearing system is not shown in the above list.



Unit: mm

60X60X20 mm

KF0620-01 Series



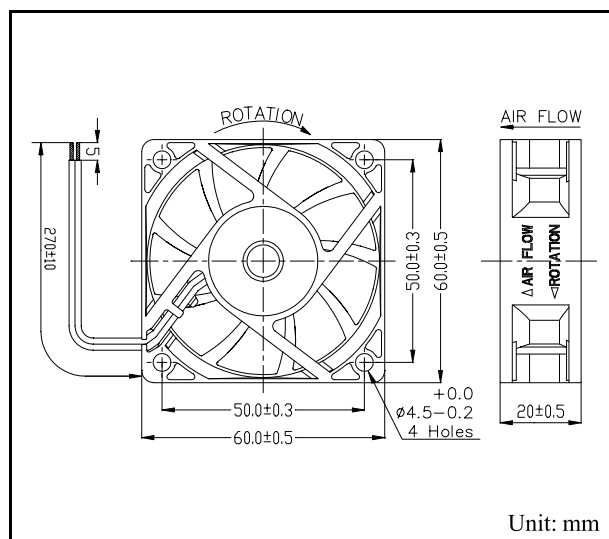
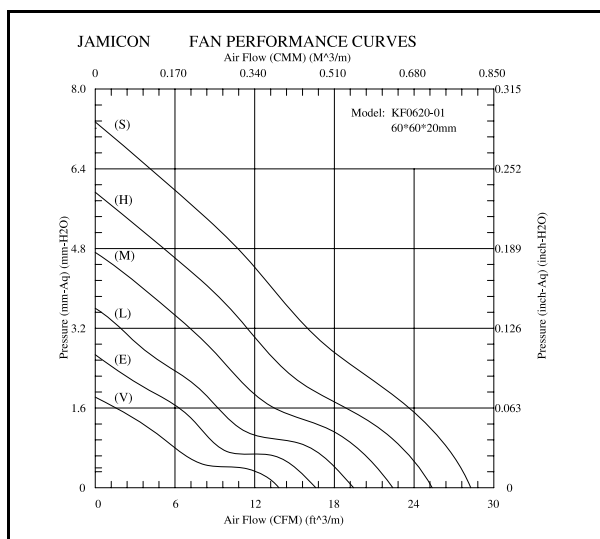
- **Frame** : Plastic Material UL 94V-0
- **Impeller** : Plastic Material UL 94V-0
- **Speed Range** : $\pm 10\%$

SPECIFICATIONS

Model	Bearing	Rated Voltage (V)	Operating Voltage (V)	Air Flow (CFM)	Static Pressure (inchH ₂ O)	Speed (R.P.M.)	Input Current (Amp)	Input Power (Watt)	Nominal Power (Watt)	Noise (dBA)	Weight (g)
KF0620-1SR01	B, H	12	10.2 ~ 13.8	28.27	0.289	5000	0.38	4.56	4.8	39.2	42
KF0620-1HR01	B, H, S			25.36	0.233	4500	0.25	3.00	3.2	36.2	
KF0620-1M-01	B, H, S			22.40	0.186	4000	0.20	2.40	2.5	32.4	
KF0620-1L-01	B, H, S			19.45	0.142	3500	0.14	1.68	1.7	27.8	
KF0620-1E-01	B, H, S			16.66	0.105	3000	0.10	1.20	1.3	25.2	
KF0620-1V-01	B, H, S			13.82	0.072	2500	0.07	0.84	0.9	20.7	
KF0620-2SR01	B, H	24	20.4 ~ 27.6	28.27	0.289	5000	0.21	5.04	5.1	39.2	
KF0620-2H-01	B, H, S			25.36	0.233	4500	0.14	3.36	3.5	36.2	
KF0620-2M-01	B, H, S			22.40	0.186	4000	0.12	2.88	3.1	32.4	
KF0620-2L-01	B, H, S			19.45	0.142	3500	0.10	2.40	2.5	27.8	
KF0620-2E-01	B, H, S			16.66	0.105	3000	0.07	1.68	1.7	25.2	
KF0620-2V-01	B, H, S			13.82	0.072	2500	0.04	0.96	1.2	20.7	

Specifications subject to change without notice

The 7TH character of Model No means the bearing code. Please refer to the page "PART NUMBER SYSTEM". Please contact us for detail if your request bearing system is not shown in the above list.



DC FAN

JAMICON®

70X70X15 mm

KF0715-01 Series



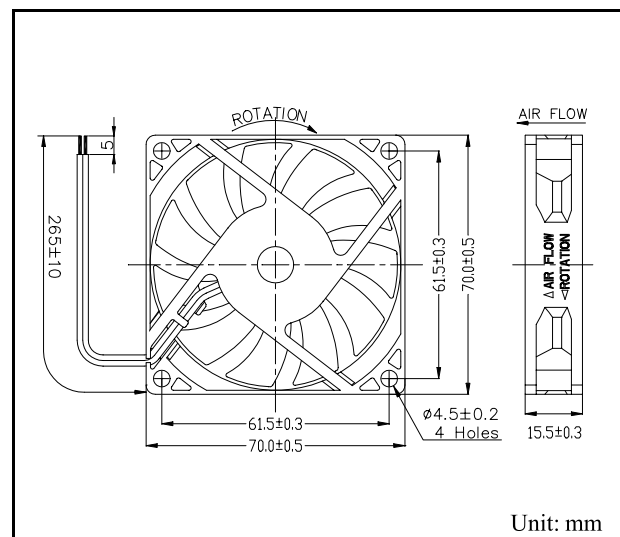
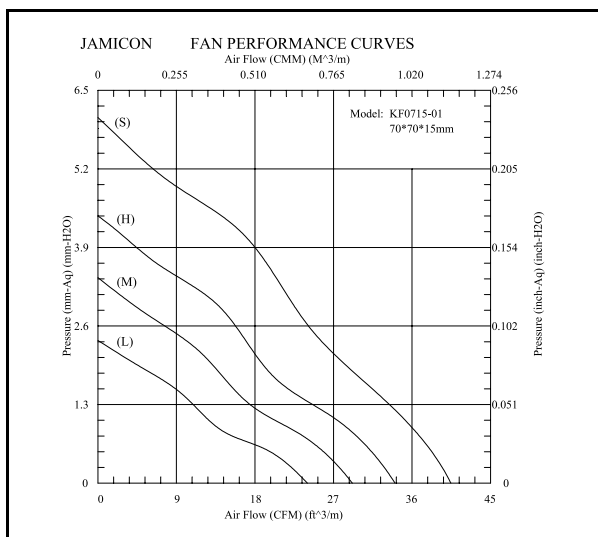
- **Frame** : Plastic Material UL 94V-0
- **Impeller** : Plastic Material UL 94V-0
- **Speed Range** : ±10%

SPECIFICATIONS

Model	Bearing	Rated Voltage (V)	Operating Voltage (V)	Air Flow (CFM)	Static Pressure (inchH ₂ O)	Speed (R.P.M.)	Input Current (Amp)	Input Power (Watt)	Nominal Current (Amp)	Noise (dBA)	Weight (g)
KF0715-1SR01	B, H	12	10.2~13.8	40.45	0.238	5000	0.35	4.20	0.41	41.3	46
KF0715-1HR01	B, H, S			34.05	0.174	4200	0.30	3.60	0.33	37.1	
KF0715-1M-01	B, H, S			29.16	0.134	3600	0.19	2.28	0.21	32.7	
KF0715-1L-01	B, H, S			24.00	0.093	3000	0.12	1.44	0.14	28.2	

Specifications subject to change without notice

The 7TH character of Model No means the bearing code. Please refer to the page "PART NUMBER SYSTEM".
Please contact us for detail if your request bearing system is not shown in the above list.



80X80X20 mm

KF0820-01 Series



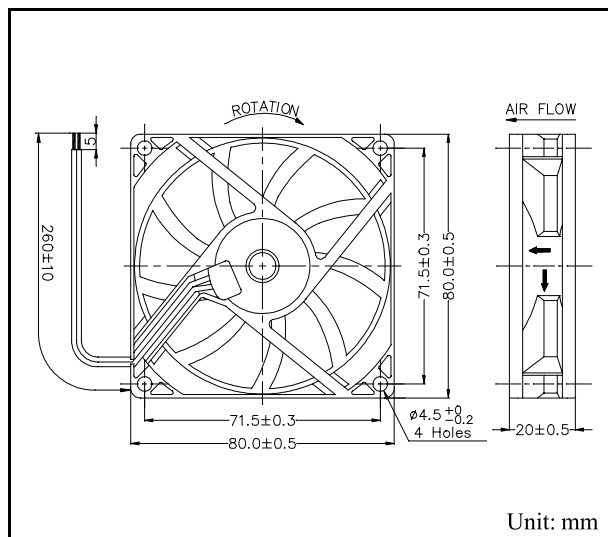
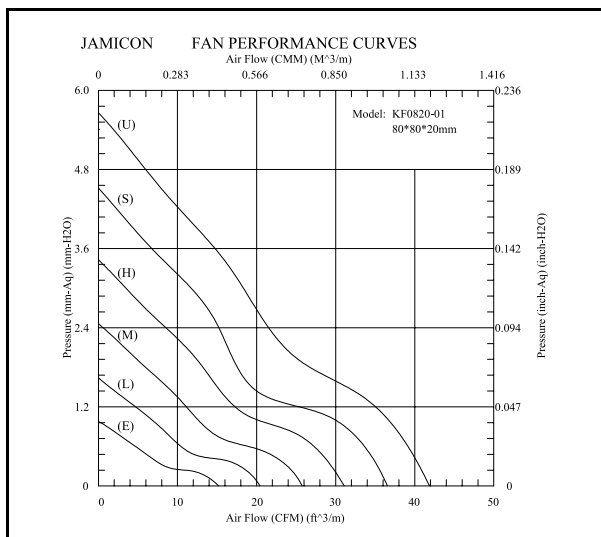
- **Frame** : Plastic Material UL 94V-0
- **Impeller** : Plastic Material UL 94V-0
- **Speed Range** : ±10%

SPECIFICATIONS

Model	Bearing	Rated Voltage (V)	Operating Voltage (V)	Air Flow (CFM)	Static Pressure (inchH ₂ O)	Speed (R.P.M.)	Input Current (Amp)	Input Power (Watt)	Nominal Current (Amp)	Noise (dBA)	Weight (g)
KF0820-1UR01	B, H	12	10.2 ~ 13.8	41.87	0.223	4000	0.27	3.24	0.30	39.6	57
KF0820-1SR01	B, H, S			36.55	0.178	3500	0.20	2.40	0.22	35.5	
KF0820-1H-01	B, H, S			31.09	0.135	3000	0.14	1.68	0.15	31.4	
KF0820-1M-01	B, H, S			25.75	0.097	2500	0.08	0.96	0.09	26.5	
KF0820-1L-01	B, H, S			20.44	0.065	2000	0.06	0.72	0.07	21.3	
KF0820-1E-01	B, H, S	15.20	0.039	1500	0.04	0.48	0.05	14.2			
KF0820-2UR01	B, H	24	20.4 ~ 27.6	41.87	0.223	4000	0.13	1.56	0.15	39.6	
KF0820-2SR01	B, H, S			36.55	0.178	3500	0.10	2.40	0.11	35.5	
KF0820-2H-01	B, H, S			31.09	0.135	3000	0.07	1.68	0.08	31.4	
KF0820-2M-01	B, H, S			25.75	0.097	2500	0.06	1.44	0.07	26.5	
KF0820-2L-01	B, H, S			20.44	0.065	2000	0.04	0.96	0.05	21.3	
KF0820-2E-01	B, H, S	15.20	0.039	1500	0.03	0.72	0.04	14.2			

Specifications subject to change without notice

The 7TH character of Model No means the bearing code. Please refer to the page "PART NUMBER SYSTEM". Please contact us for detail if your request bearing system is not shown in the above list.



DC FAN

JAMICON®

35X35X10 mm

KFOB10-01 Series

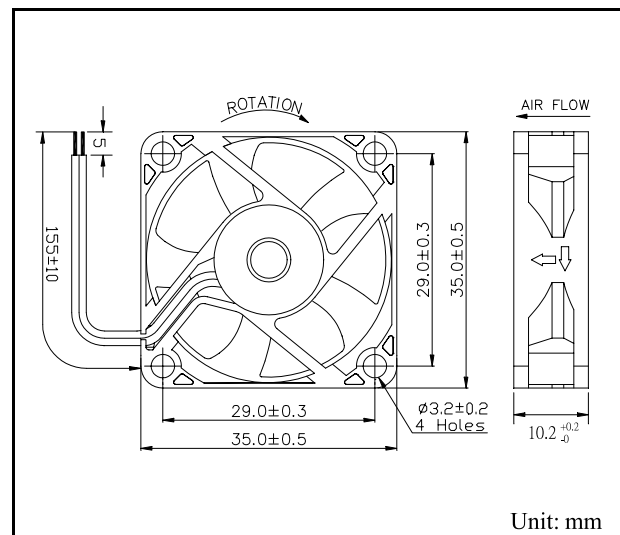
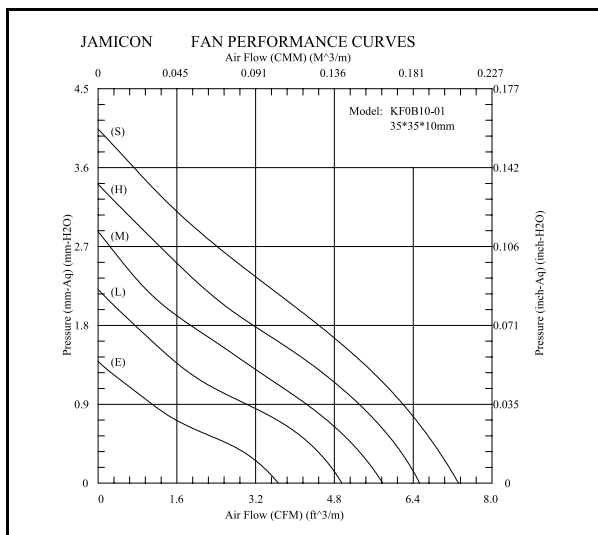


- **Frame** : Plastic Material UL 94V-0
- **Impeller** : Plastic Material UL 94V-0
- **Speed Range** : ±15%

SPECIFICATIONS

Model	Bearing	Rated Voltage (V)	Operating Voltage (V)	Air Flow (CFM)	Static Pressure (inchH ₂ O)	Speed (R.P.M.)	Input Current (Amp)	Input Power (Watt)	Nominal Power (Watt)	Noise (dBA)	Weight (g)
KFOB10B5SR01	Dual Ball	5	4.25 ~ 5.75	7.32	0.159	9500	0.23	1.15	1.2	29.9	8.0
KFOB10B5HR01				6.53	0.134	8500	0.21	1.05	1.1	26.3	
KFOB10B5MR01				5.78	0.113	7500	0.14	0.70	0.8	24.5	
KFOB10B5LR01				4.95	0.087	6500	0.09	0.45	0.5	20.7	
KFOB10B5ER01				3.66	0.055	4800	0.07	0.35	0.4	15.0	
KFOB10B1SR01		12	10.2 ~ 13.8	7.32	0.159	9500	0.13	1.56	1.7	29.9	
KFOB10B1HR01				6.53	0.134	8500	0.10	1.20	1.2	26.3	
KFOB10B1MR01				5.78	0.113	7500	0.08	0.96	1.0	24.5	
KFOB10B1LR01				4.95	0.087	6500	0.06	0.72	0.8	20.7	
KFOB10B1ER01				3.66	0.055	4800	0.05	0.60	0.6	15.0	

Specifications subject to change without notice



DC FAN

JAMICON®

120X120X25 mm

KF1225-01 Series



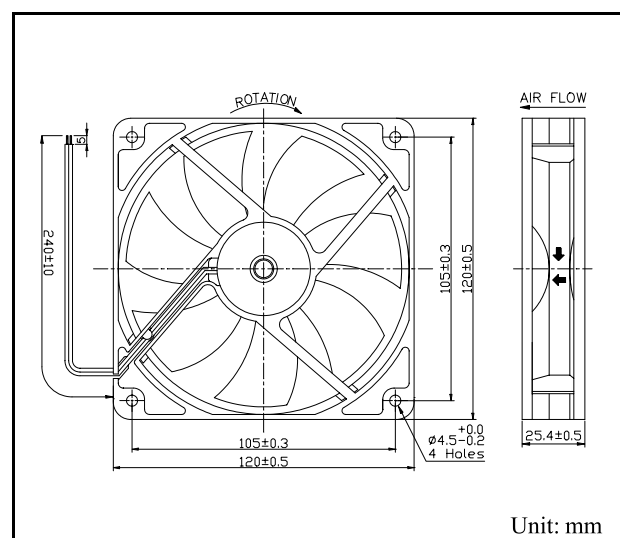
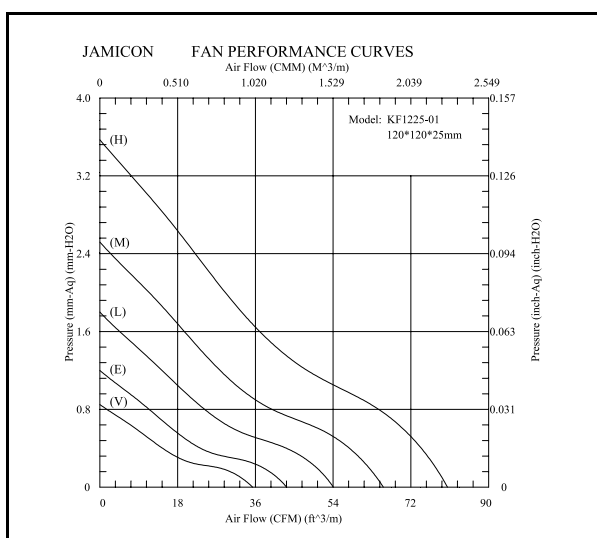
- **Frame** : Plastic Material UL 94V-0
- **Impeller** : Plastic Material UL 94V-0
- **Speed Range** : $\pm 10\%$

SPECIFICATIONS

Model	Bearing	Rated Voltage (V)	Operating Voltage (V)	Air Flow (CFM)	Static Pressure (inchH ₂ O)	Speed (R.P.M.)	Input Current (Amp)	Input Power (Watt)	Nominal Current (Amp)	Noise (dBA)	Weight (g)
KF1225-1HR01	B, H, S	12	10.2 ~ 13.8	80.49	0.141	2200	0.30	3.60	0.35	38.5	126
KF1225-1M-01				65.63	0.099	1800	0.19	2.28	0.20	32.5	
KF1225-1L-01				54.05	0.071	1500	0.13	1.56	0.14	27.4	
KF1225-1E-01				43.23	0.047	1200	0.07	0.84	0.09	21.4	
KF1225-1V-01				35.37	0.033	1000	0.06	0.72	0.07	15.5	
KF1225-2HR01	B, H, S	24	20.4 ~ 27.6	80.49	0.141	2200	0.18	4.32	0.20	38.5	
KF1225-2M-01				65.63	0.099	1800	0.12	2.88	0.13	32.5	
KF1225-2L-01				54.05	0.071	1500	0.08	1.92	0.09	27.4	

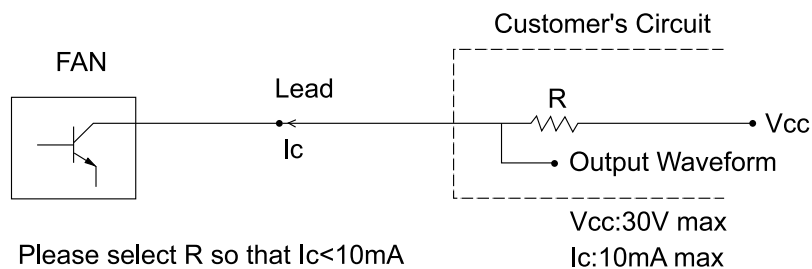
Specifications subject to change without notice

The 7TH character of Model No means the bearing code. Please refer to the page "PART NUMBER SYSTEM". Please contact us for detail if your request bearing system is not shown in the above list.

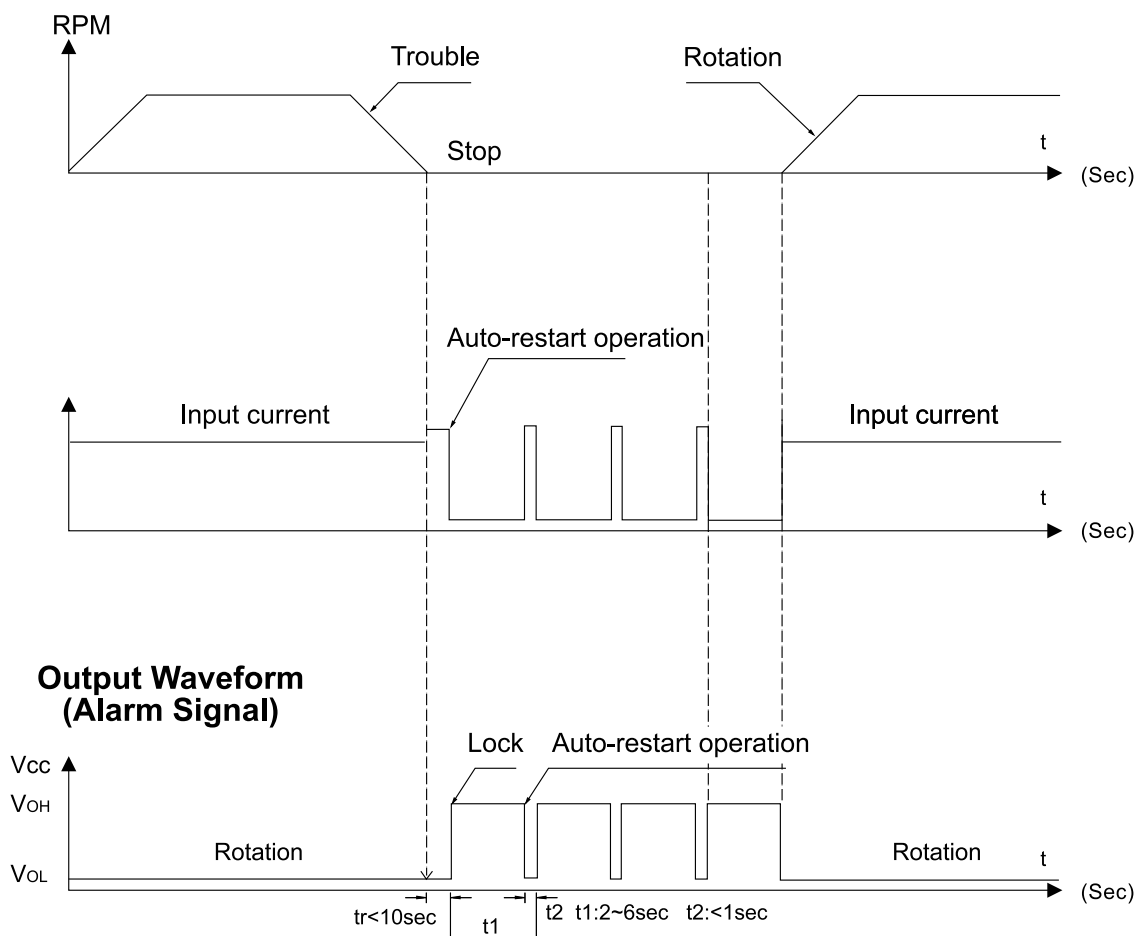


Auto restart / Alarm signal (Type A)

Diagram:

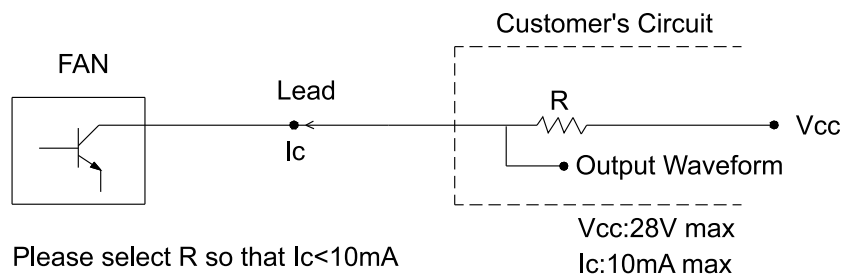


Fan motor speed:

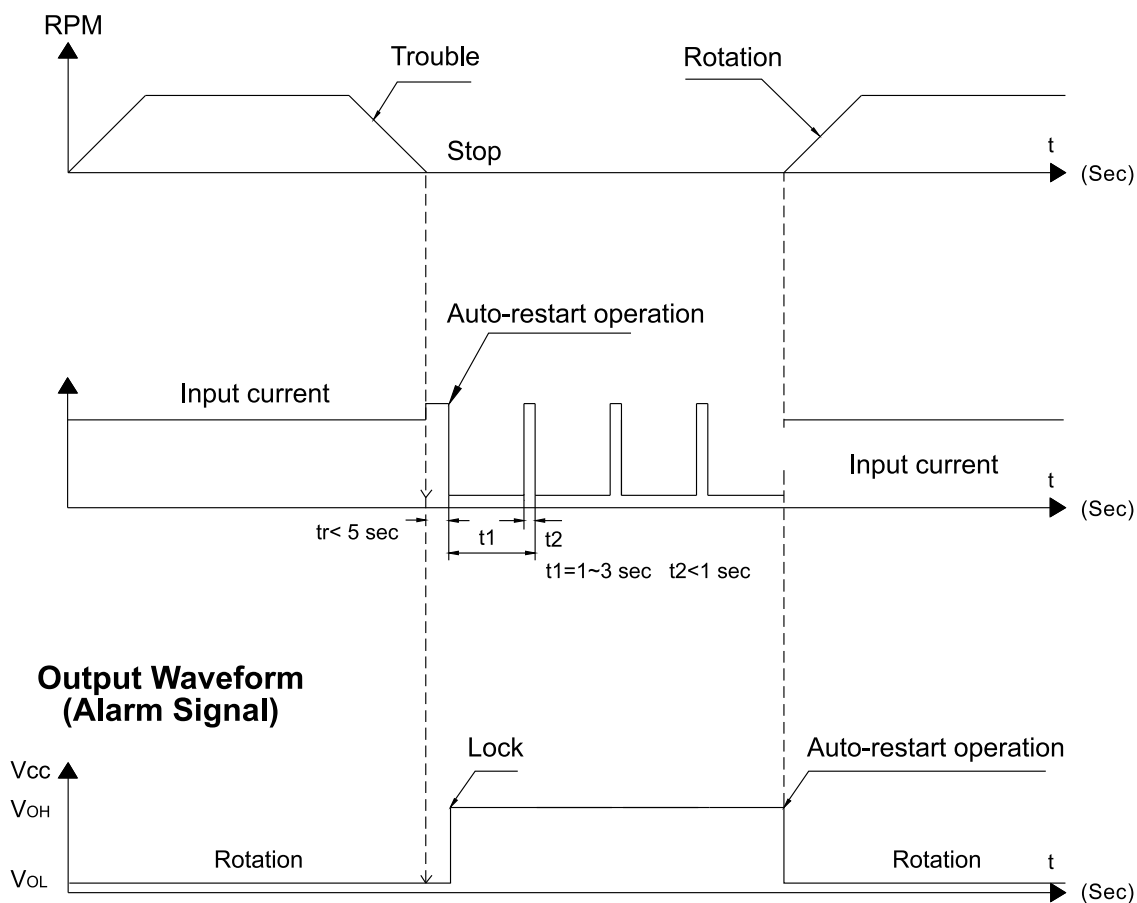


Auto restart / Alarm signal (Type B)

Diagram:

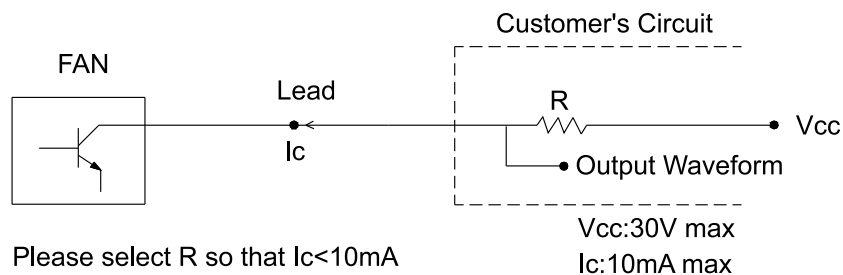


Fan motor speed:

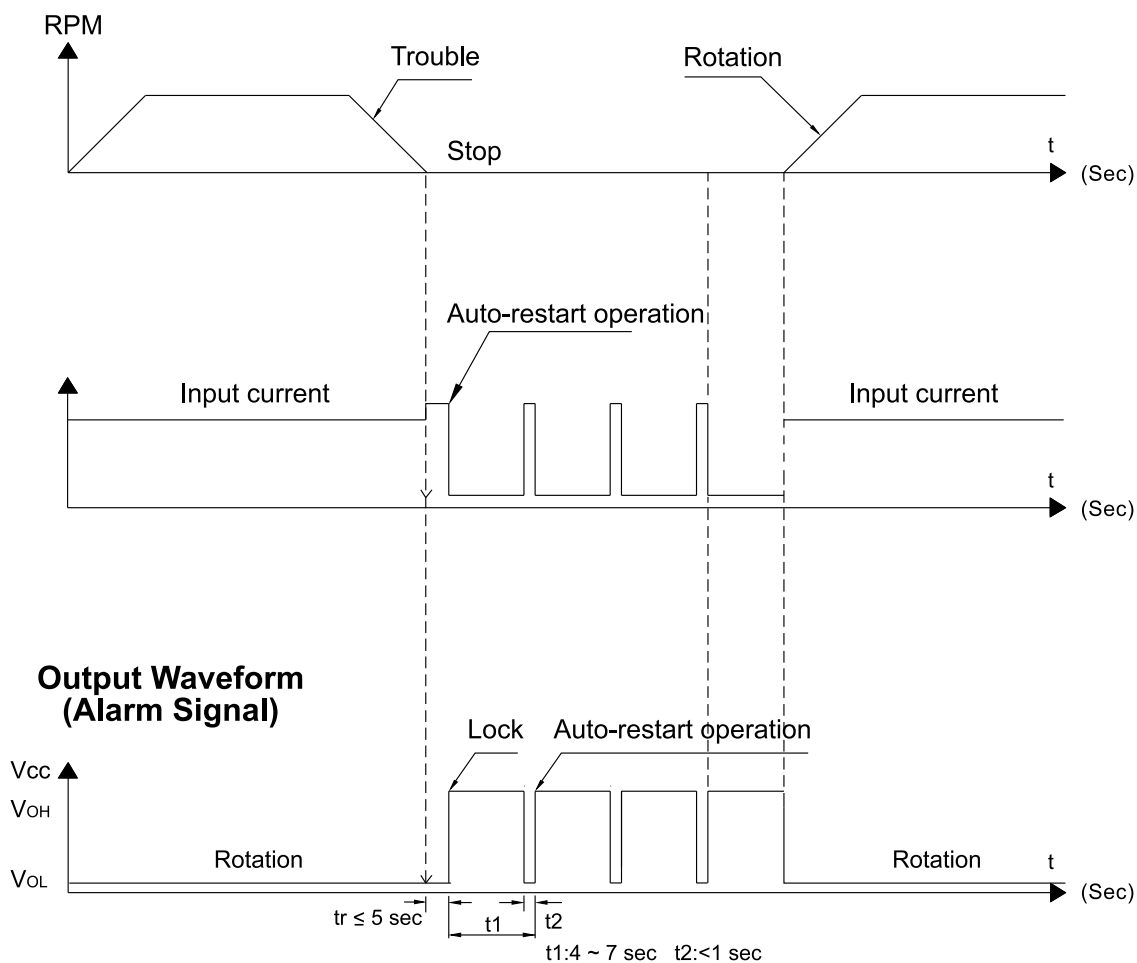


Auto restart / Alarm signal (Type C)

Diagram:

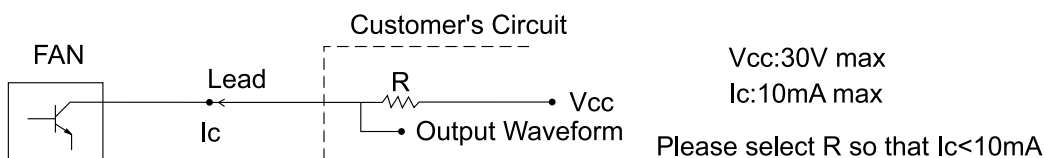


Fan motor speed:

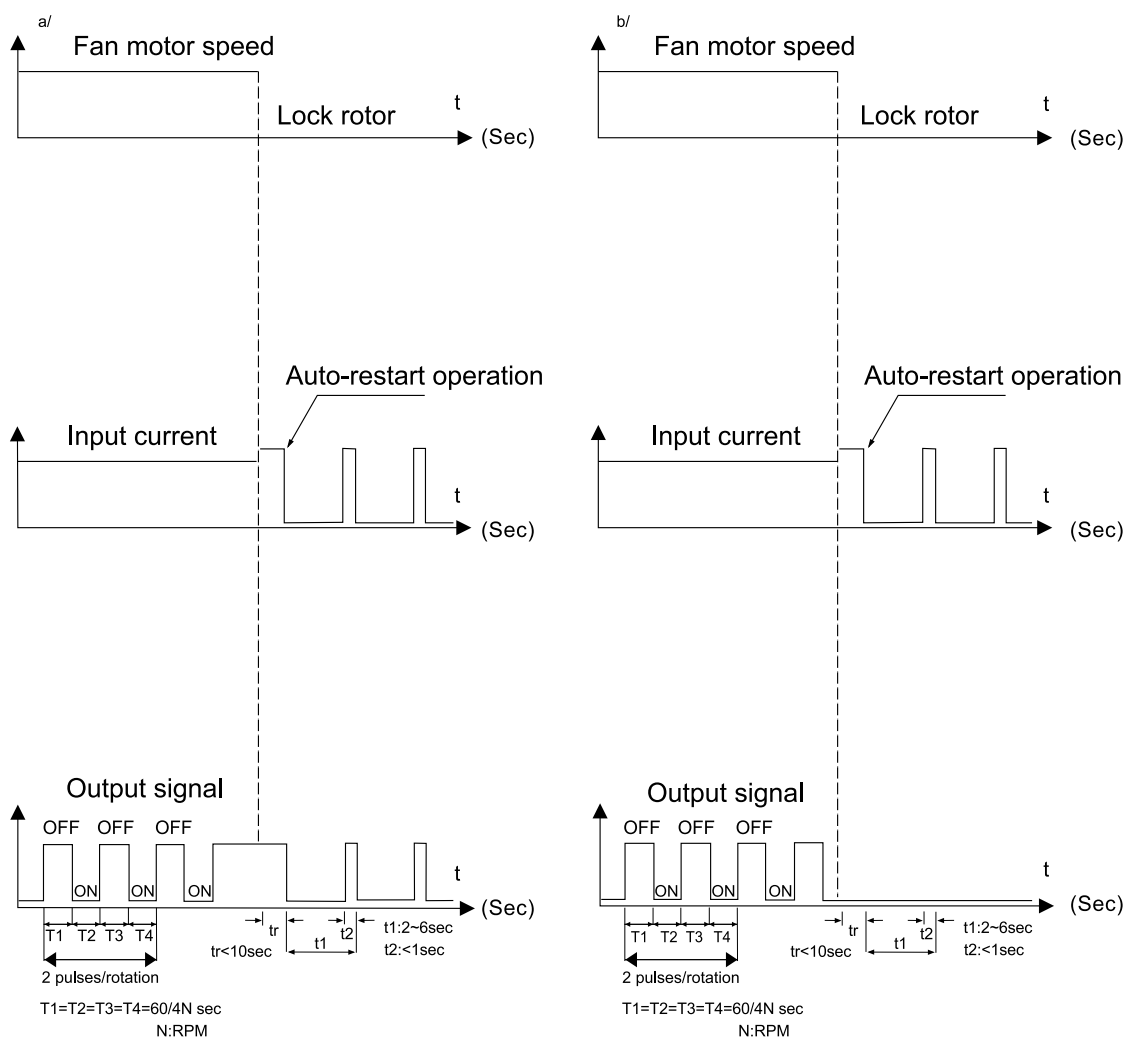


Auto restart / Tachometer signal (Type A)

Diagram:

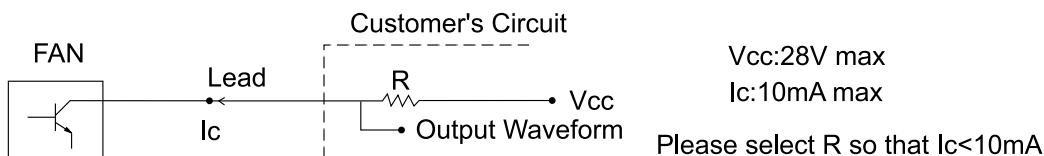


Type of signal:

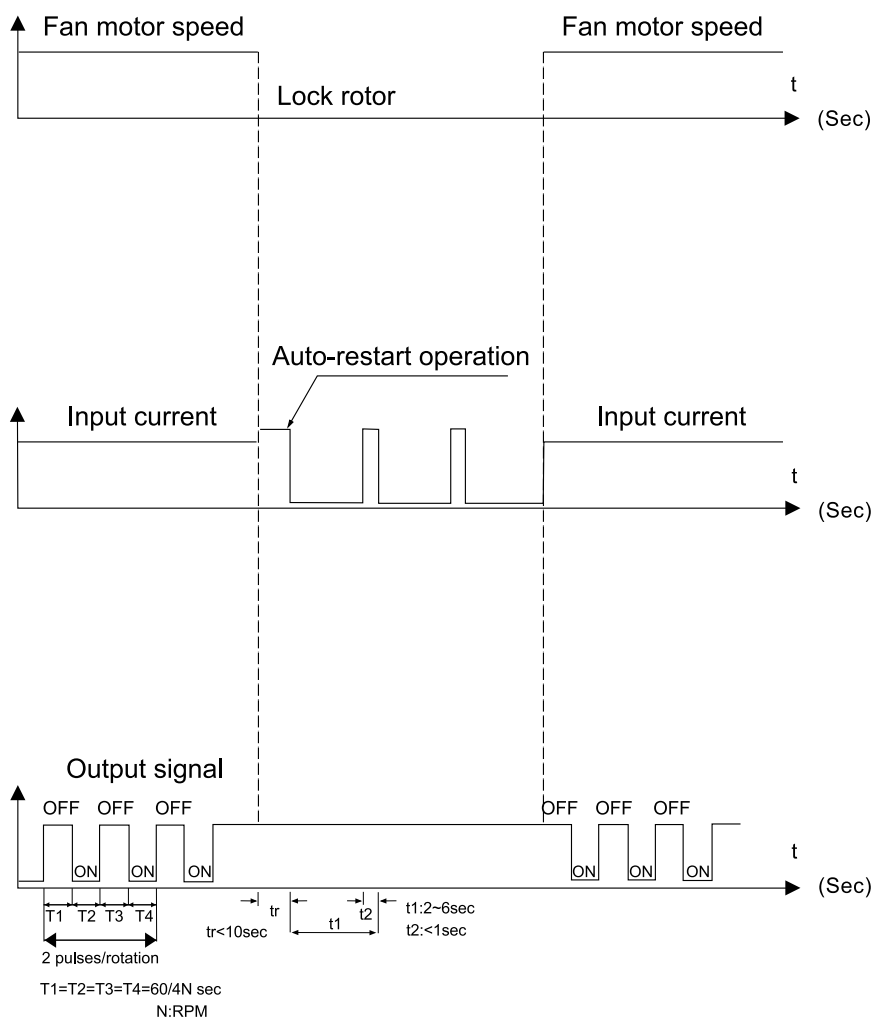


Auto restart / Tachometer signal (Type B)

Diagram:

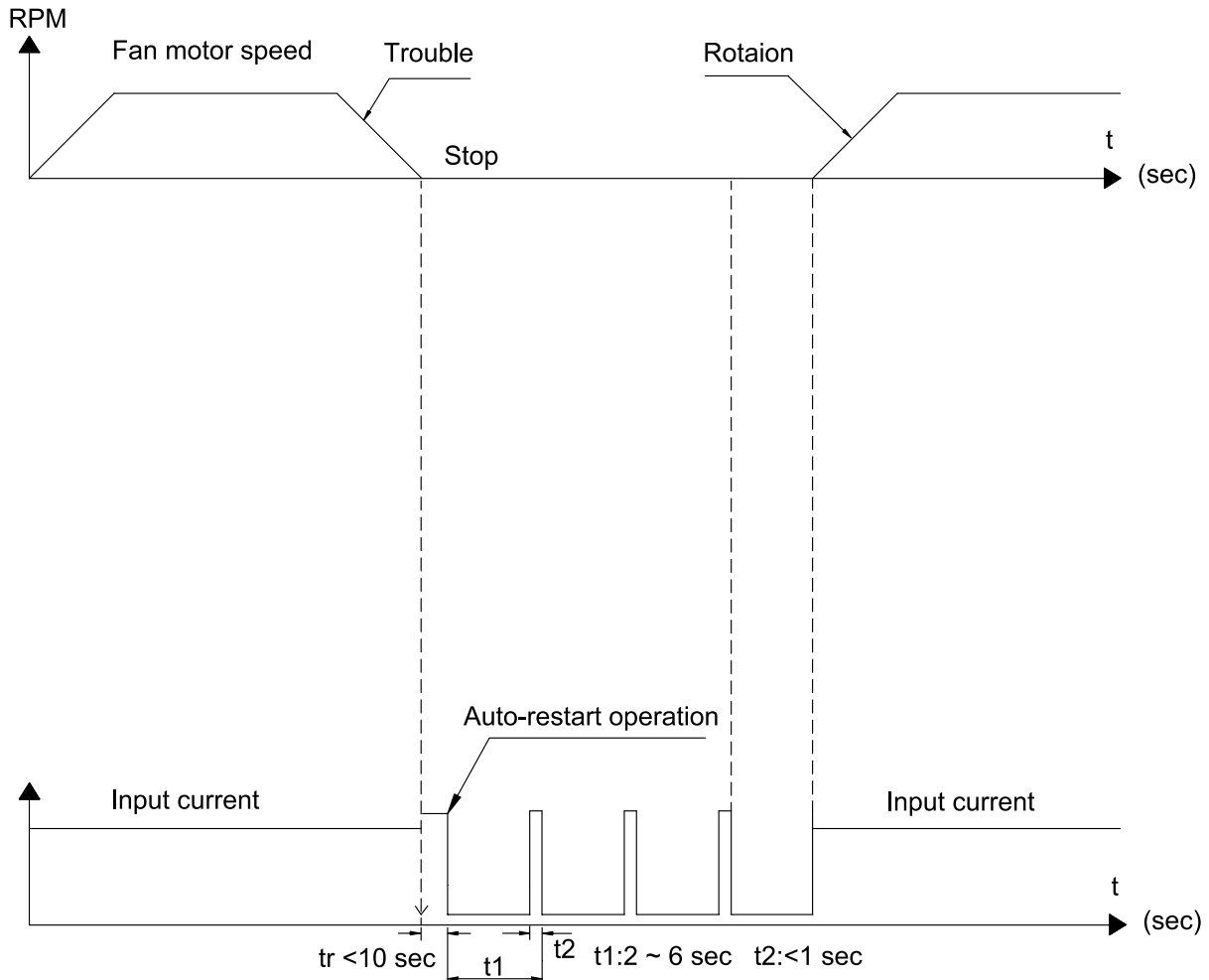


Type of signal:



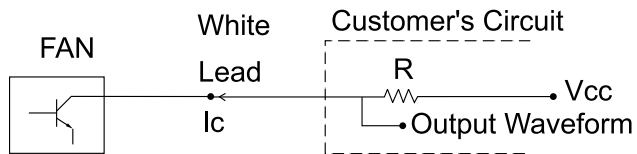
Auto restart without output signal

Diagram:



Tachometer signal without Auto-restart

Diagram:

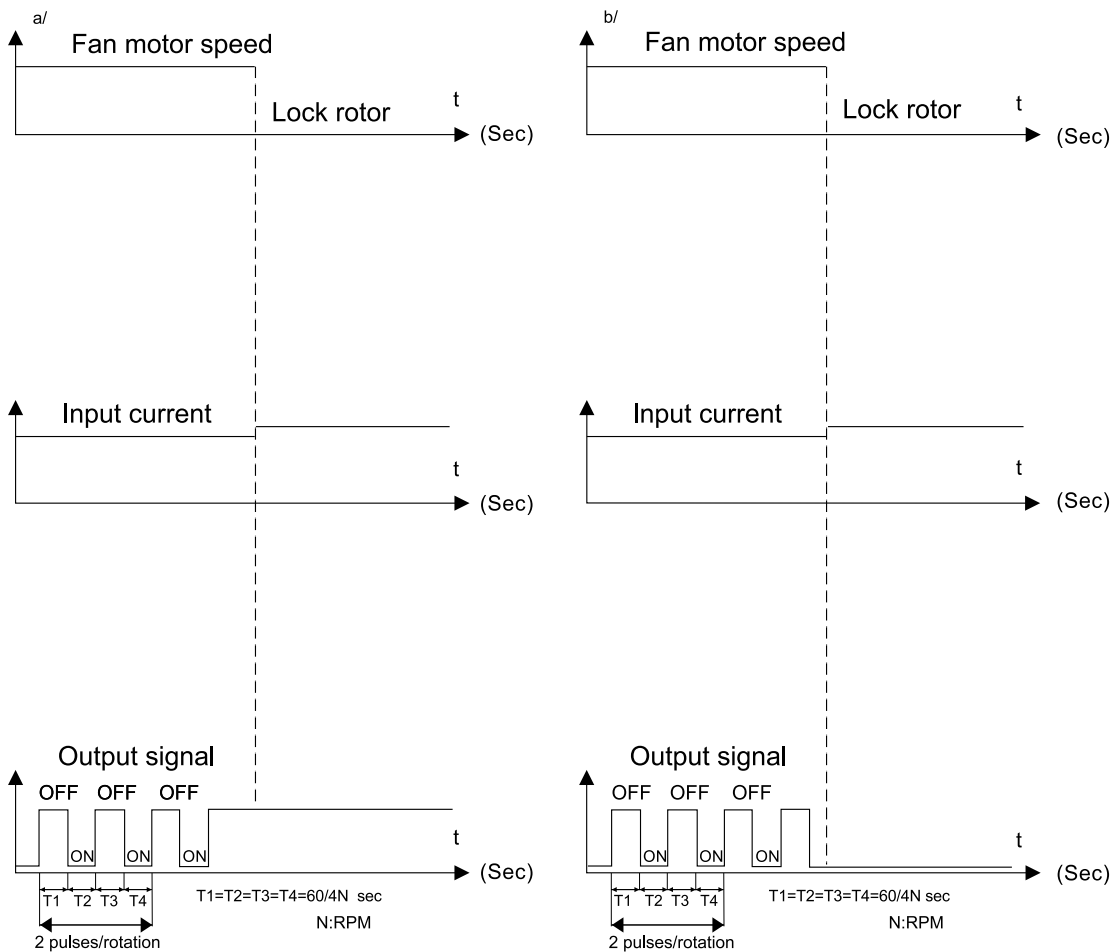


Vcc:30V max

Ic:10mA max

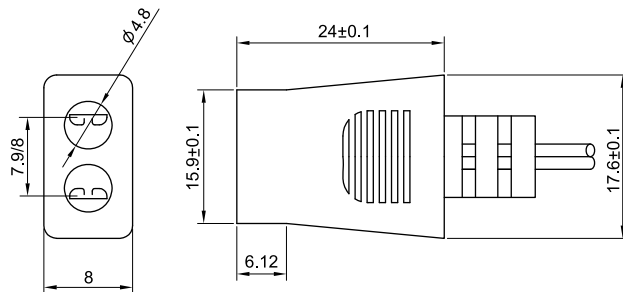
Please select R so that $I_c < 10\text{mA}$

Type of signal:

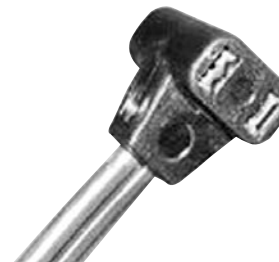
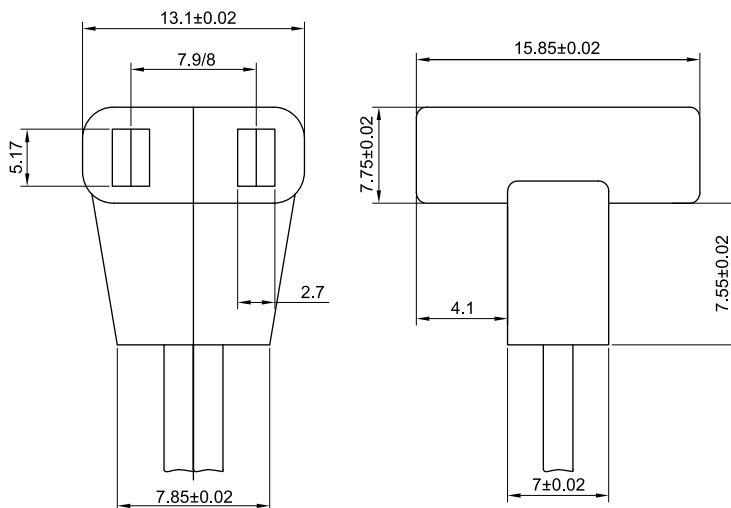


Power Cord

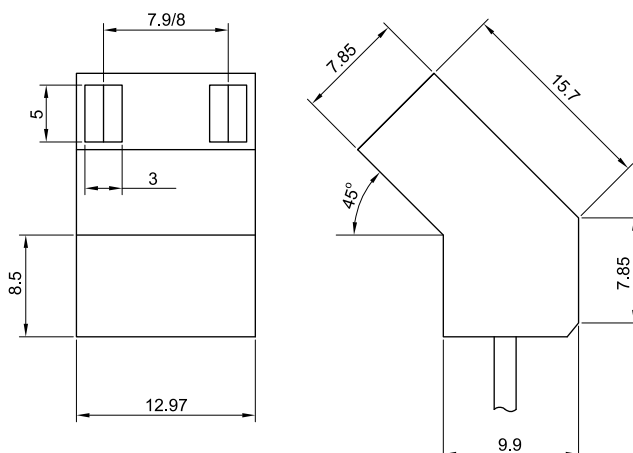
19-1180 (TYPE STRAIGHT 180°)



19-1090 (TYPE 90°)



19-1045 (TYPE 45°)

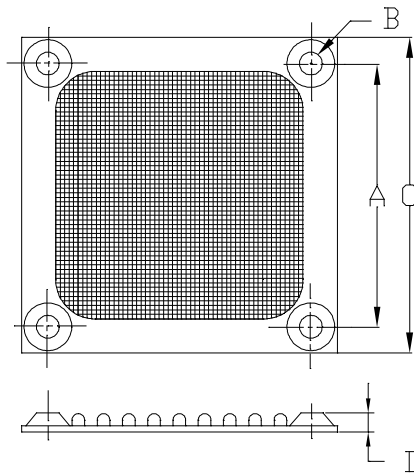


STANDARD DIMENSIONS (mm)

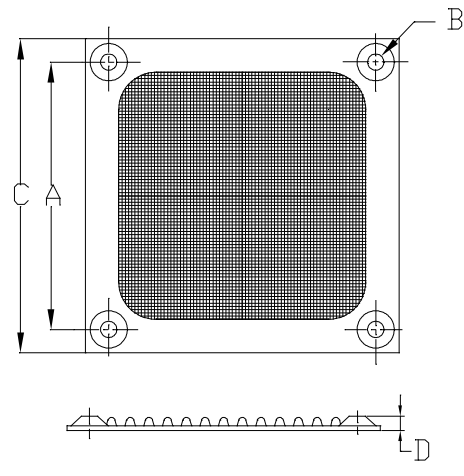
Model	19-1180	19-1090	19-1045
Wire Length	900mm	900mm	900mm

*Wire length is adjustable by request.

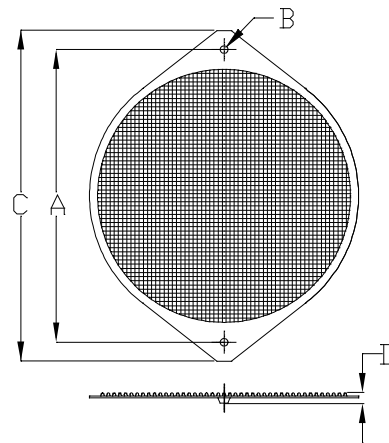
Metal Fan Filter



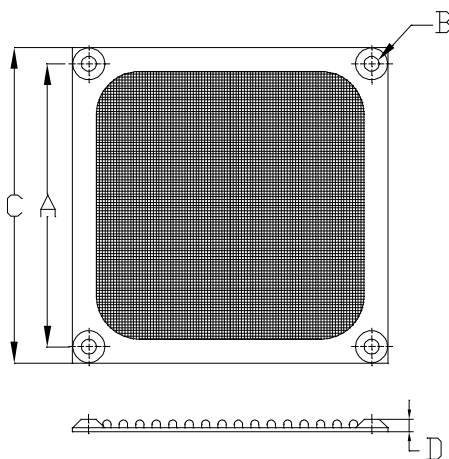
MODEL	A	B	C	D
K-MF06E-4HA	50	4.32	60	4.0



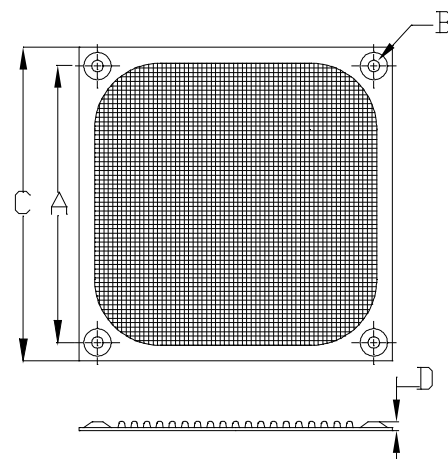
MODEL	A	B	C	D
K-MF08E-4HA	71.4	4.32	83.8	3.5



MODEL	A	B	C	D
K-MF16E-2HA	162	4.3	182	4.15



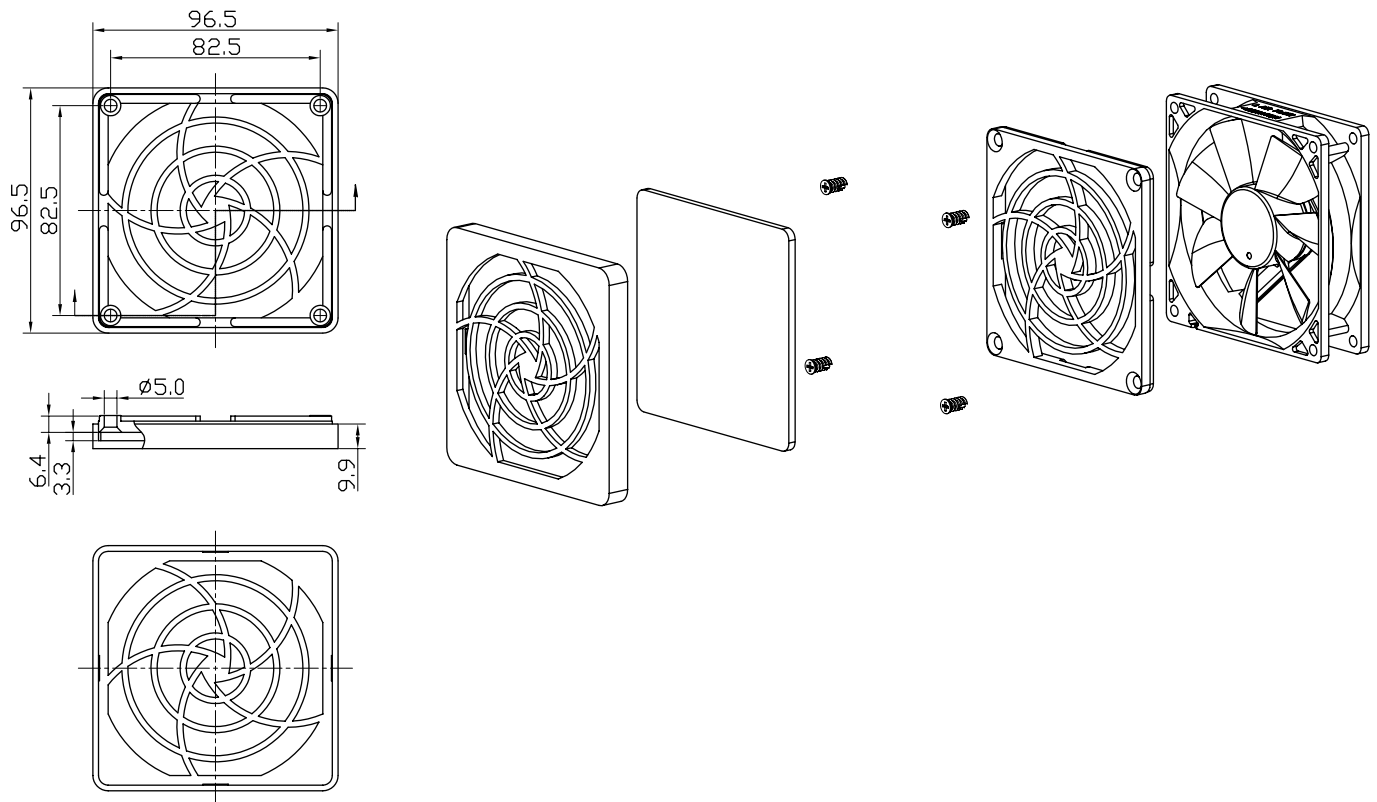
MODEL	A	B	C	D
K-MF09E-4HA	82.5	4.32	92	4.0



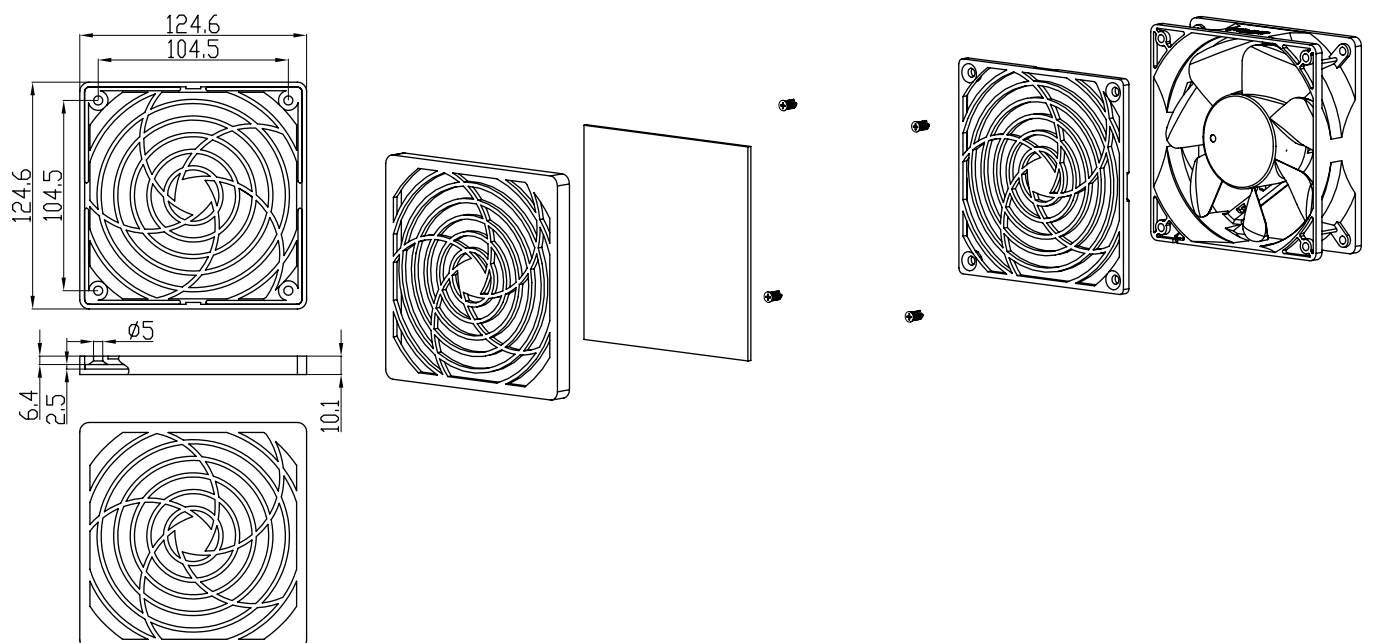
MODEL	A	B	C	D
K-MF12E-4HA	104.8	4.32	118.9	3.5

Plastic Fan Filter

K-PF09J-4PA

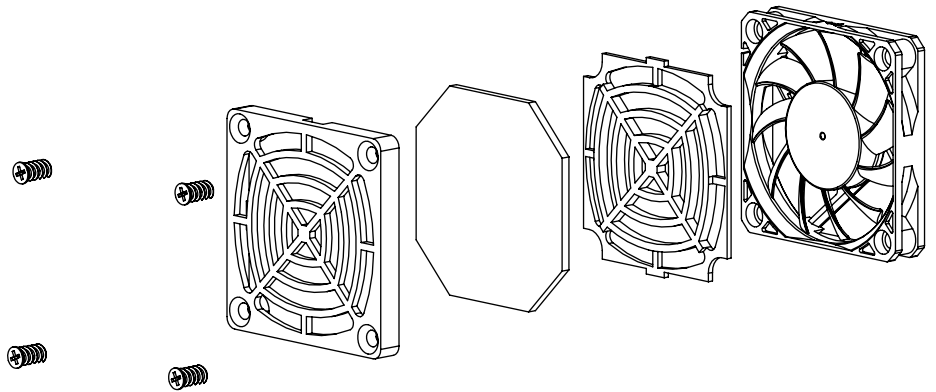
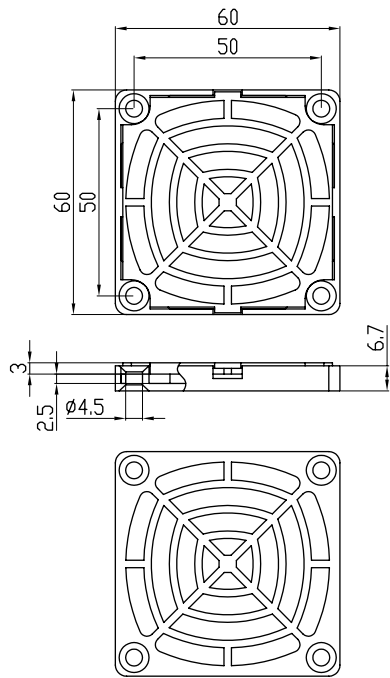


K-PF12J-4PA

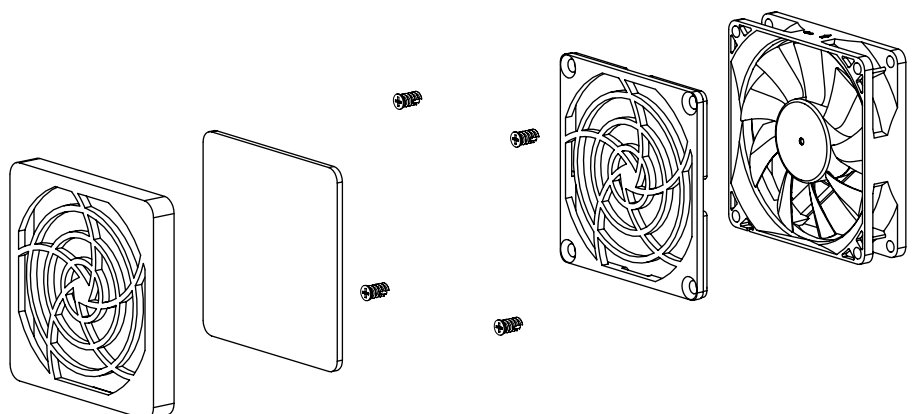
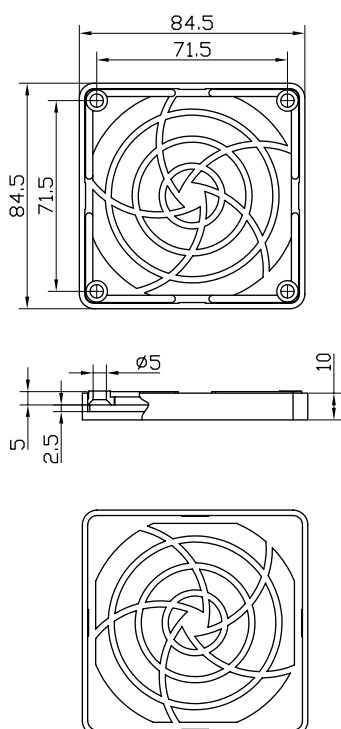


Plastic Fan Filter

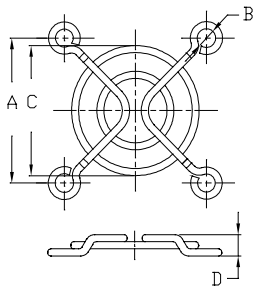
K-PF06J-4PA



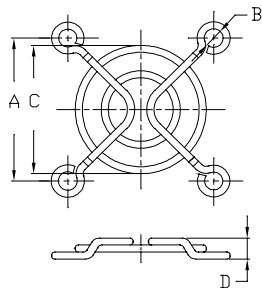
K-PF08J-4PA



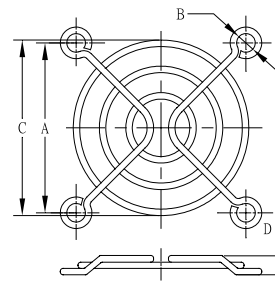
Metal Fan Guard



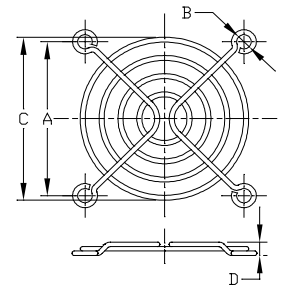
MODEL	A	B	C	D
K-G04D02-4HA	32	4.0	29.1	4.8



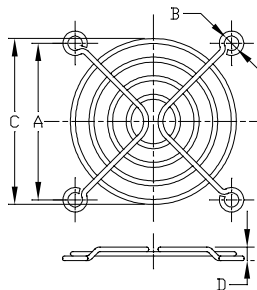
MODEL	A	B	C	D
K-G04B02-4HB	32	4.6	31.5	4.0



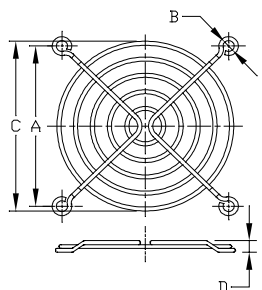
MODEL	A	B	C	D
K-G05B03-4HB	40	4.6	41.1	4.8



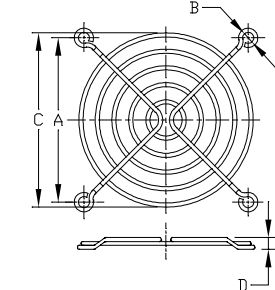
MODEL	A	B	C	D
K-G06B04-4HA	50	4.6	53	4.4



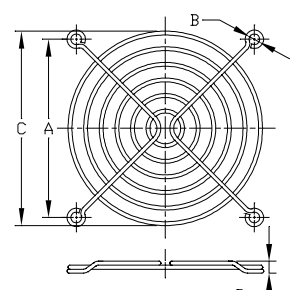
MODEL	A	B	C	D
K-G06B04-4HB	50	4.6	53	5.2



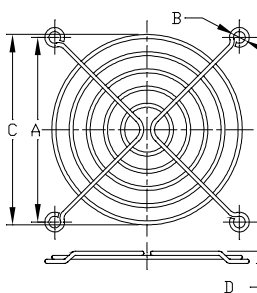
MODEL	A	B	C	D
K-G08A05-4HA	71.5	4.9	76	5.5



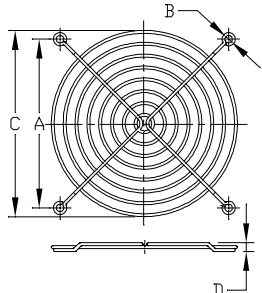
MODEL	A	B	C	D
K-G08B05-4HA	71.5	4.6	76	5.5



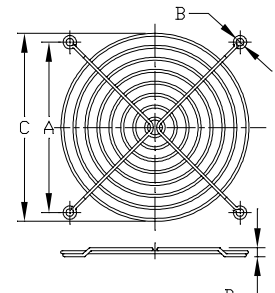
MODEL	A	B	C	D
K-G09A06-4HA	82.5	4.9	90	5.5



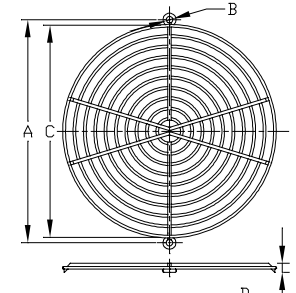
MODEL	A	B	C	D
K-G09K04-4HA	82.5	5.2	85.0	5.5



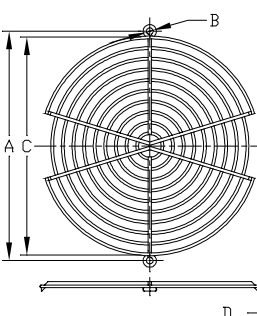
MODEL	A	B	C	D
K-G12B08-4HA	105	4.6	115.6	5.5



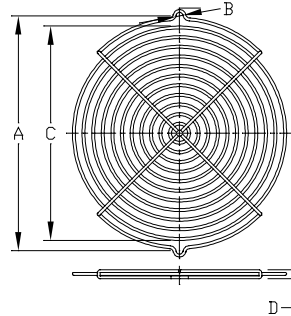
MODEL	A	B	C	D
K-G12A08-4HA	105	4.9	115.6	5.5



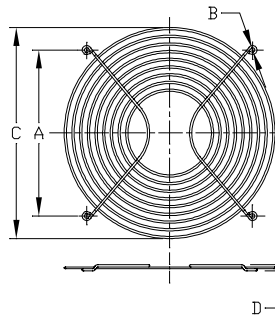
MODEL	A	B	C	D
K-G17H10-2HA	162	4.8	154.4	6.45



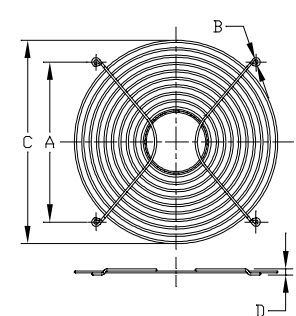
MODEL	A	B	C	D
K-G17H10-2HB	162	4.8	154.4	6.45



MODEL	A	B	C	D
K-G17H11-2HA	162	4.8	148.6	6.0

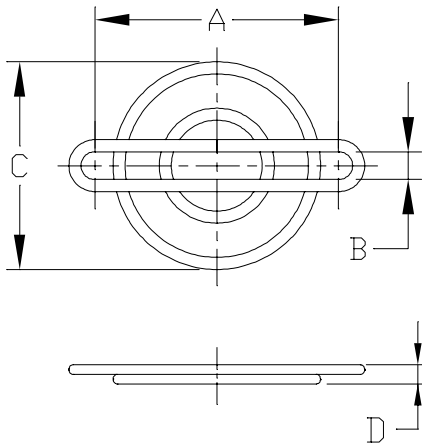


MODEL	A	B	C	D
K-G25B09-4HA	174	4.6	222.2	6.35

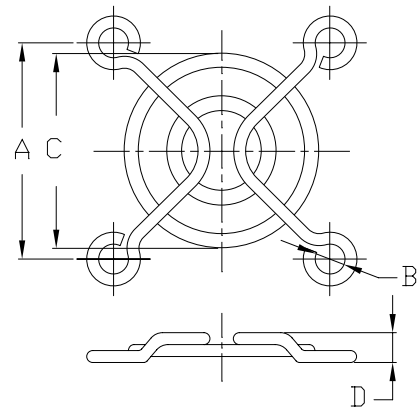


MODEL	A	B	C	D
K-G25B09-4HAT	174	4.6	222.2	6.35

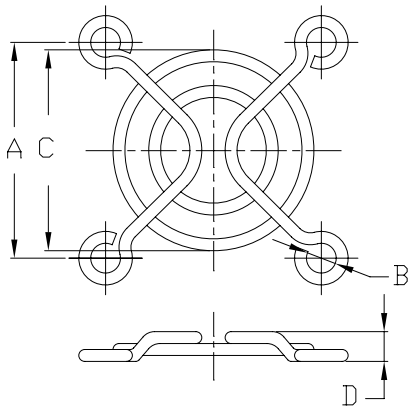
Metal Fan Guard



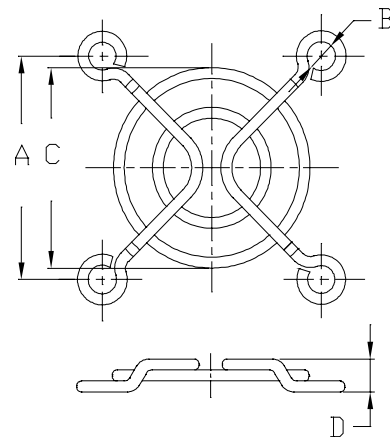
MODEL	A	B	C	D
K-G02C02-2PAU	28.2	3.2	24.0	2.5



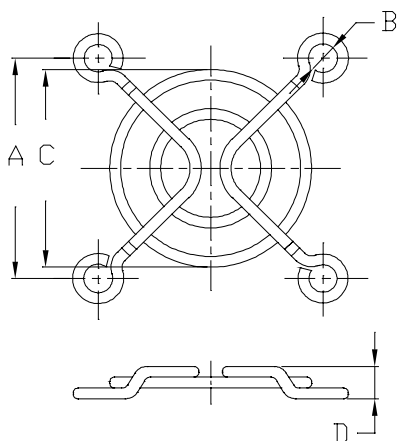
MODEL	A	B	C	D
K-G03C02-4HA	24	3.2	21.8	4.8



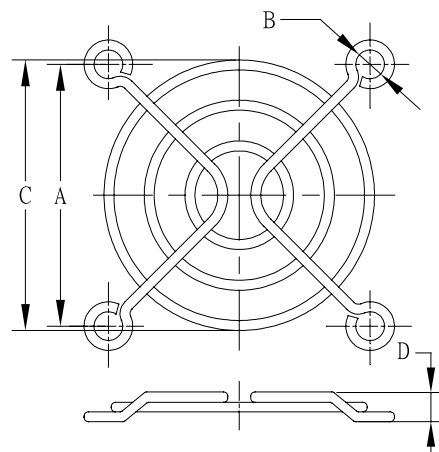
MODEL	A	B	C	D
K-G0BD02-4HA	29	4	27	4



MODEL	A	B	C	D
K-G04D02-4HA	32	4.0	29.1	4.8

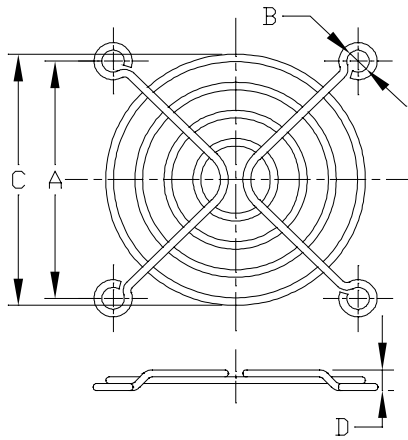


MODEL	A	B	C	D
K-G04B02-4HB	32	4.6	31.5	4.0

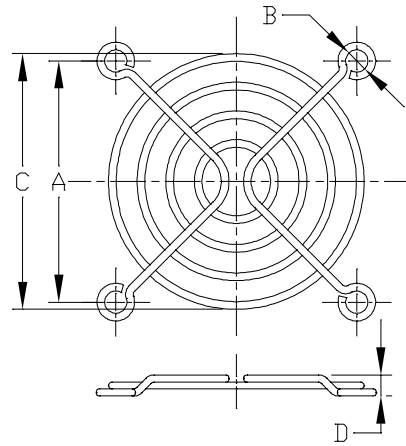


MODEL	A	B	C	D
K-G05B03-4HB	40	4.6	41.1	4.8

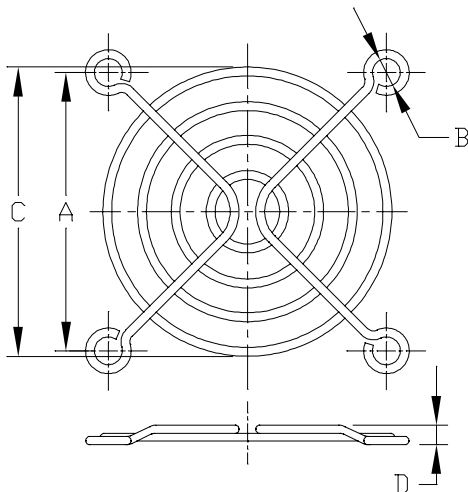
Metal Fan Guard



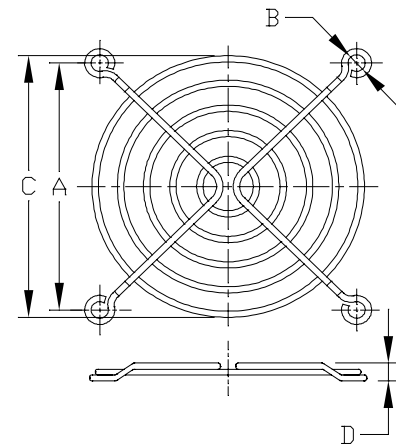
MODEL	A	B	C	D
K-G06B04-4HA	50	4.6	53	4.4



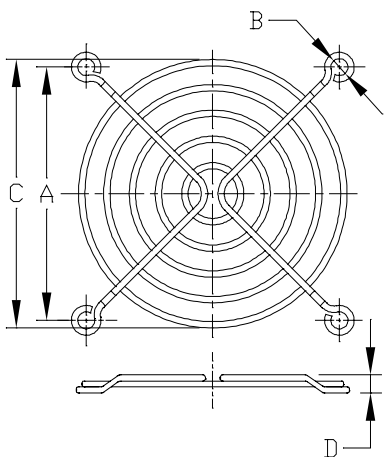
MODEL	A	B	C	D
K-G06B04-4HB	50	4.6	53	5.2



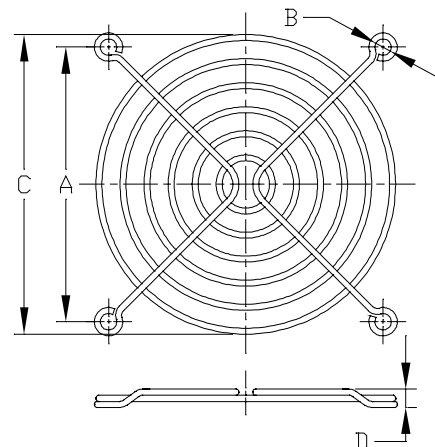
MODEL	A	B	C	D
K-G07F04-4HA	61.5	4.5	64.2	4.0



MODEL	A	B	C	D
K-G08A05-4HA	71.5	4.9	76	5.5

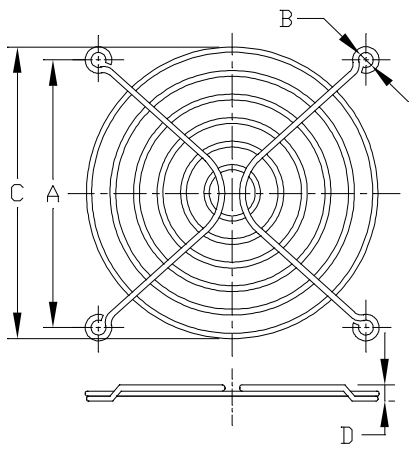


MODEL	A	B	C	D
K-G08B05-4HA	71.5	4.6	76	5.5

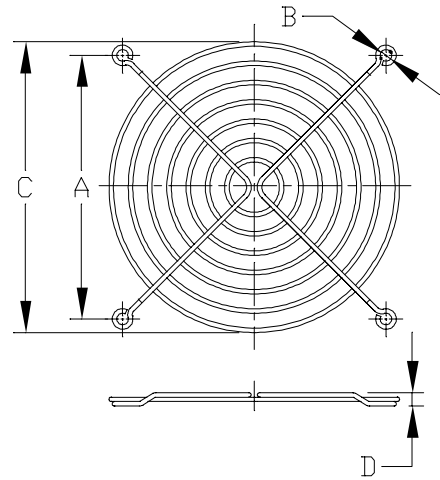


MODEL	A	B	C	D
K-G09A06-4HA	82.5	4.9	90	5.5

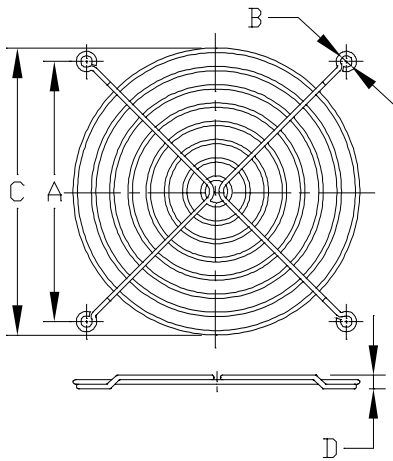
Metal Fan Guard



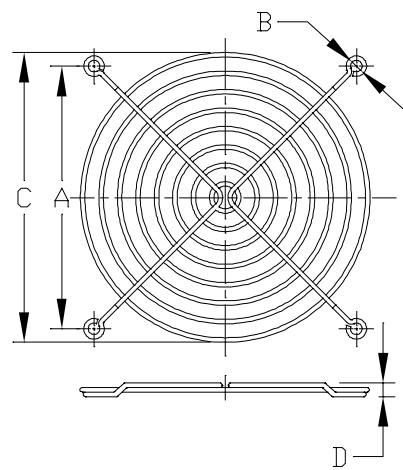
MODEL	A	B	C	D
K-G09B06-4HB	82.4	4.6	89.8	5.0



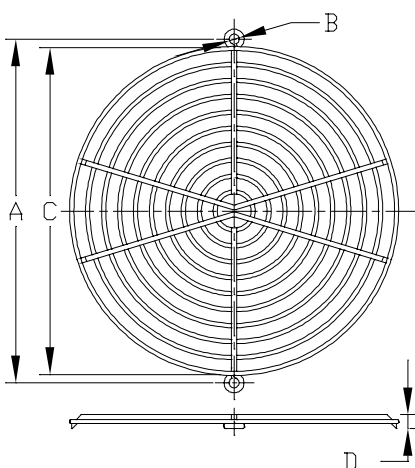
MODEL	A	B	C	D
K-G12B07-4HA	105	4.6	115.6	5.5



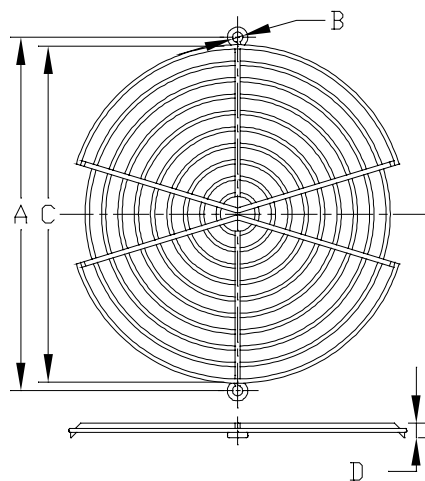
MODEL	A	B	C	D
K-G12B08-4HA	105	4.6	115.6	5.5



MODEL	A	B	C	D
K-G12A08-4HA	105	4.9	115.6	5.5

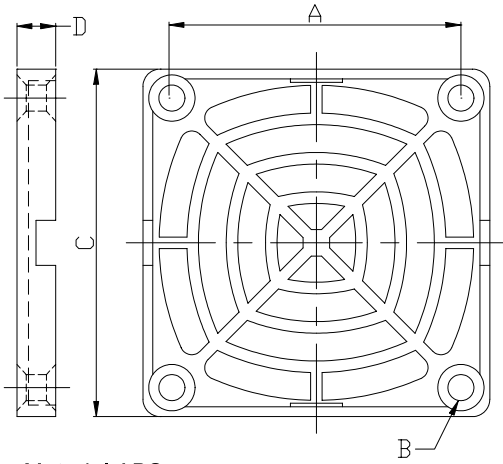


MODEL	A	B	C	D
K-G17H10-2HA	162	4.8	154.4	6.45



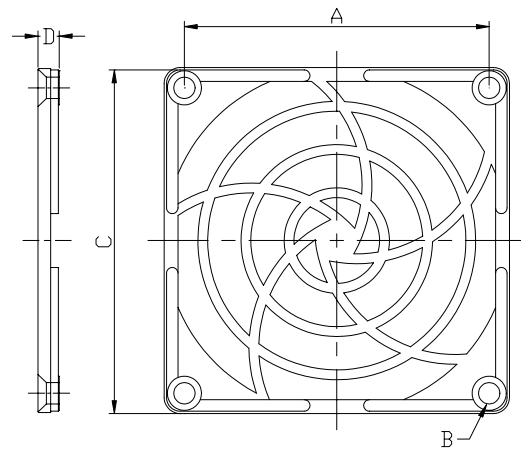
MODEL	A	B	C	D
K-G17H10-2HB	162	4.8	154.4	6.45

Plastic Fan Guard



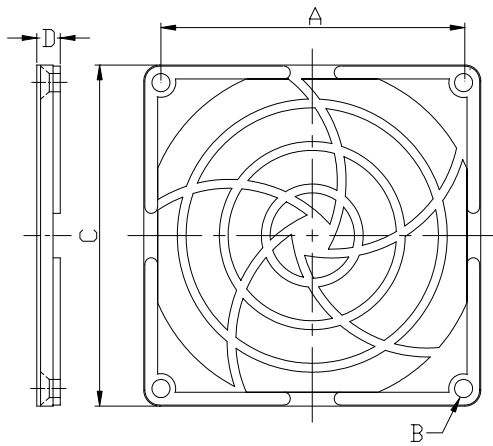
Material:ABS

MODEL	A	B	C	D
K-PG06J-4PA	50	4.5	60	6.7



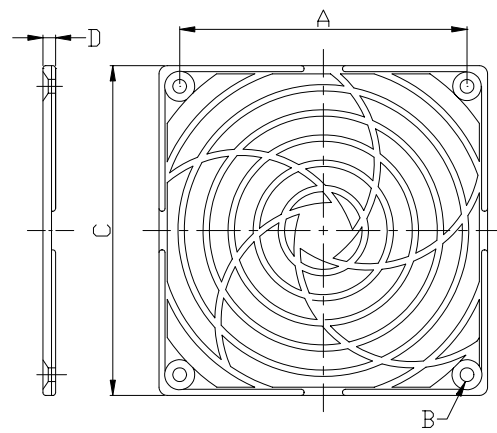
Material:ABS

MODEL	A	B	C	D
K-PG08J-4PA	71.5	5.0	81	50



Material:ABS

MODEL	A	B	C	D
K-PG09J-4PA	82.5	4.9	92	6.4



Material:ABS

MODEL	A	B	C	D
K-PG12J-4PA	104.5	5.0	119.5	6.4