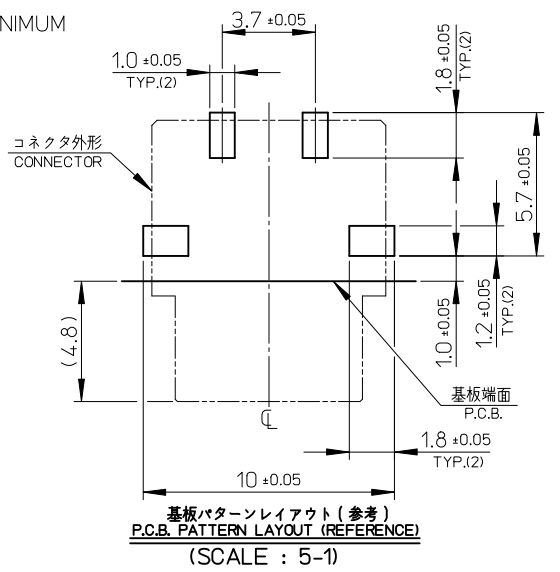
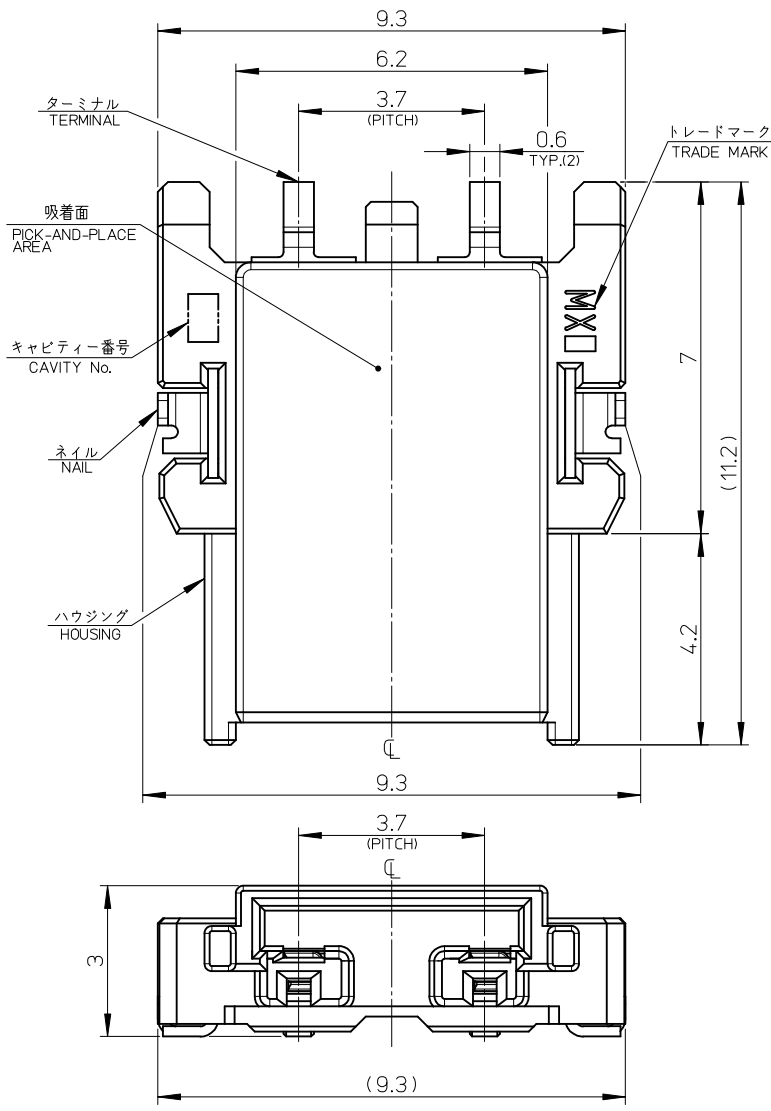
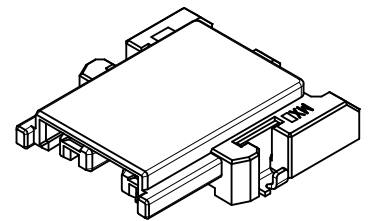


注記
NOTES:

1. 材質
MATERIAL
ハウジング : ホリアミド (PA)、ガラス充填、UL94V-0、白色
HOUSING : POLYAMIDE(PA), GLASS FILLED, UL94V-0, WHITE
ターミナル : りん青銅
錫めっき : 1.0μm以上
下地 : ニッケルめっき 1.0μm以上
TERMINAL : PHOSPHOR BRONZE
TIN PLATING : 1.0 MICROMETER MINIMUM
UNDERPLATE : NICKEL 1.0 MICROMETER MINIMUM
ネイル : りん青銅
錫めっき : 1.0μm以上
下地 : ニッケルめっき 1.0μm以上
NAIL : PHOSPHOR BRONZE
TIN PLATING : 1.0 MICROMETER MINIMUM
UNDERPLATE : NICKEL 1.0 MICROMETER MINIMUM
2. 嵌合相手 : 503471-****又は503474-****
MATE WITH : 503471-**** OR 503474-****
3. 端子テール部及びネイルの平坦度は0.1以下
TAIL AND NAIL COPLANARITY TO BE 0.1 MAXIMUM.
4. 端子テール部及びネイルに錫めっきを使用しているため、
外観に摺動痕が付く場合が御座います。
THE WOUND OF FRICTION MIGHT ADHERE TO EXTERNALS BECAUSE THE TIN PLATING IS USED FOR THE TAIL AND NAIL.
5. 本製品のプラスチック部に黒点等が確認される場合や
色合いが異なる場合がありますが、製品性能に影響はありません。
THERE IS NO INFLUENCE IN THE PRODUCT PERFORMANCE THOUGH THE BLACK SPOT ETC. MIGHT BE CONFIRMED TO THE PLASTIC PART OF THIS PRODUCT AND THE SHADE MIGHT BE DIFFERENT.
6. エンボス梱包品の詳細はSD-503469-002を参照願います。
REFER TO THE SD-503469-002 FOR EMBOSSED TAPE PACKAGING.
7. ELV及びRoHS適合品
ELV AND RoHS COMPLIANT.

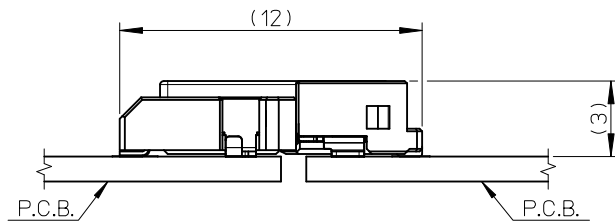
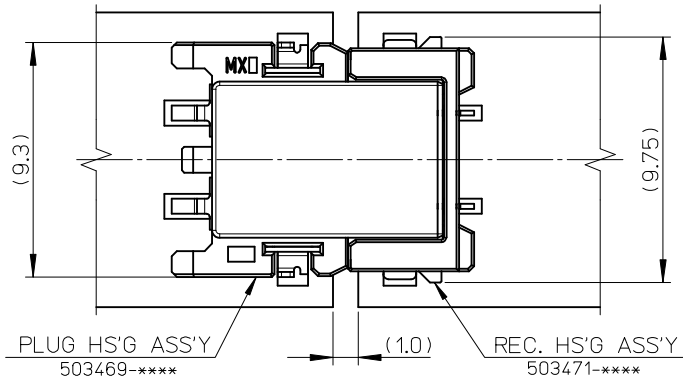


基板パターンレイアウト (参考)
P.C.B. PATTERN LAYOUT (REFERENCE)
(SCALE : 5-1)

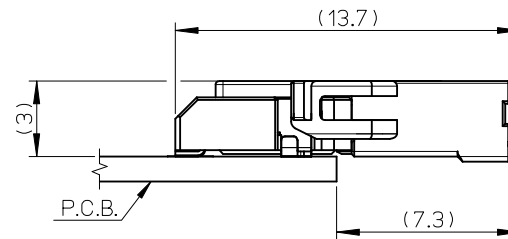
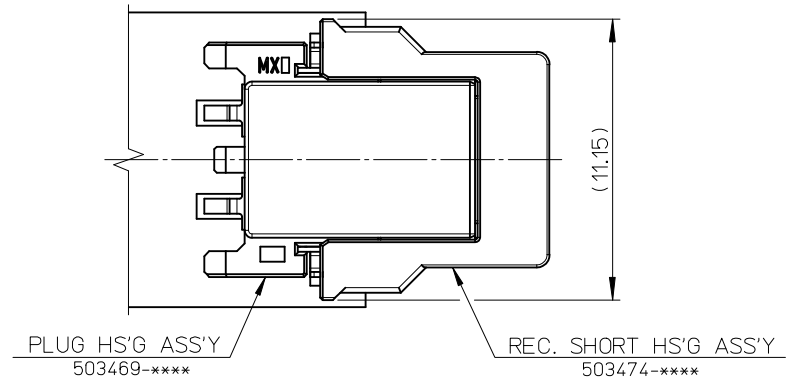
503469-0200	2
EMBOSSD TAPE PACKAGE	CIRCUIT 極数
オーダー番号 ORDER No.	
コネクタシリーズ番号 CONNECTOR SERIES No.	503469-**-09

RELEASED EC NO: J2010-0155 DRWN:HKOBAYASHI 2009/07/24 CHKD:SSA1003 2009/07/26 APPR:NUKITA 2009/07/27	DESCRIPTION REV	GENERAL TOLERANCES (UNLESS SPECIFIED)		DIMENSION STYLE MM ONLY		SCALE 10:1	DESIGN UNITS METRIC	THIRD ANGLE PROJECTION	
		10 UNDER	±0.2	DRAWN BY H. KOBAYASHI	DATE 2009/7/24	TITLE 3.7 MULTIPLE CONN. PLUG HS'G ASS'Y			
		10 OVER 30 UNDER	±0.25	CHECKED BY S. SATO	DATE 2009/7/24	MOLEX INCORPORATED SD-503469-001			
		30 OVER	±0.3	APPROVED BY N. UKITA	DATE 2009/7/24				
ANGULAR ±1 °		DRAFT WHERE APPLICABLE MUST REMAIN WITHIN DIMENSIONS		MATERIAL NO. //	DOCUMENT NO.		SHEET NO. 1 OF 2		
SIZE A3		THIS DRAWING CONTAINS INFORMATION THAT IS PROPRIETARY TO MOLEX INCORPORATED AND SHOULD NOT BE USED WITHOUT WRITTEN PERMISSION							

<嵌合状態図(参考)> 503469-****/503471-****
 <MATED CONNECTOR (REFERENCE)>
 (503469-****/503471-****)



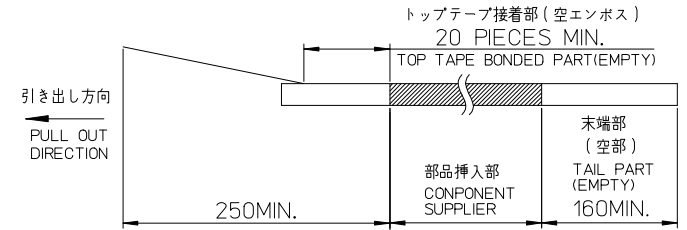
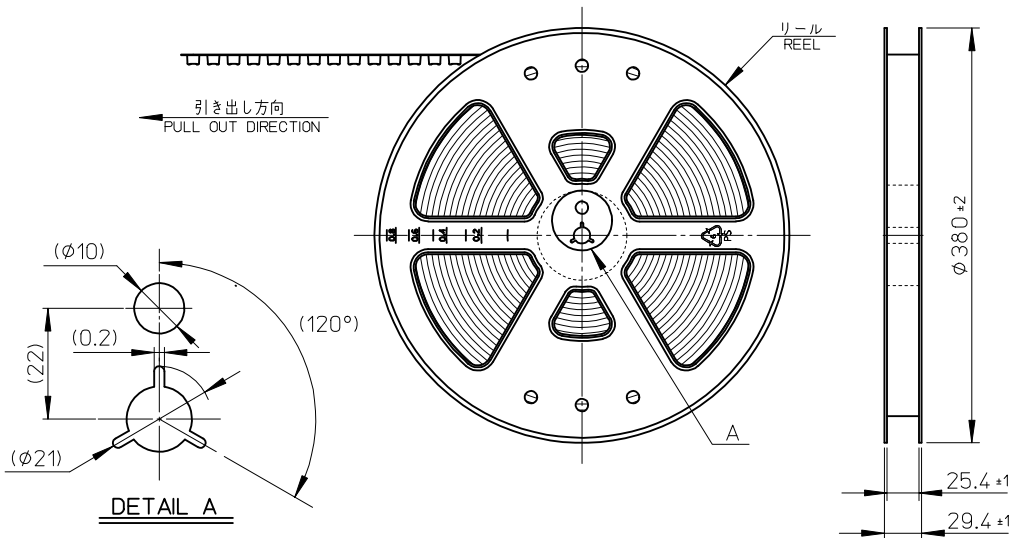
<嵌合状態図(参考)> 503469-****/503474-****
 <MATED CONNECTOR (REFERENCE)>
 (503469-****/503474-****)



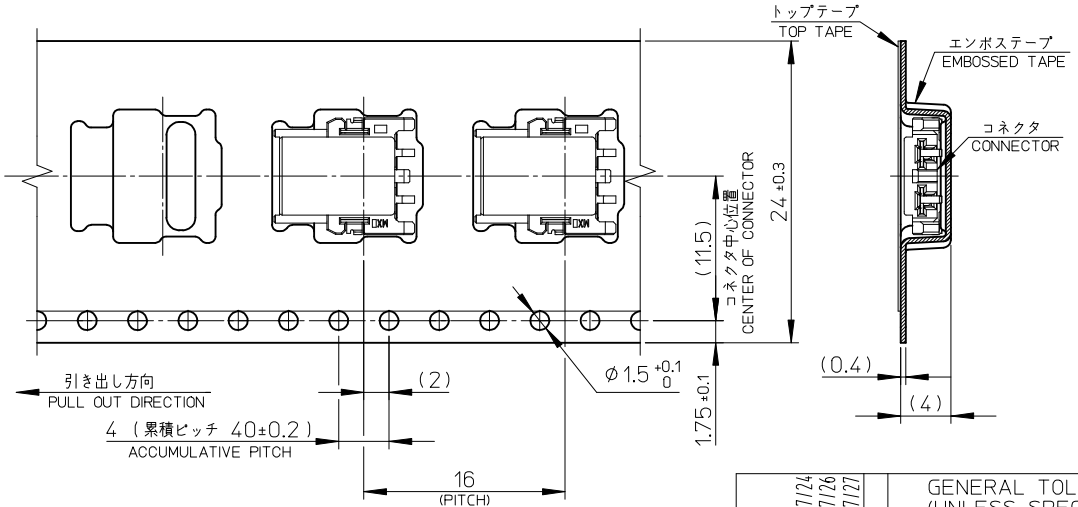
SEE SHEET No.1 EC NO: J2010-0155 DRWN:H.KOBAYASHI 2009/07/24 CHKD:S.SATO03 2009/07/26 APPR:NUKITA 2009/07/27	GENERAL TOLERANCES (UNLESS SPECIFIED)		DIMENSION STYLE MM ONLY		SCALE 5:1	DESIGN UNITS METRIC	THIRD ANGLE PROJECTION	
	10 UNDER	±0.2	DRAWN BY H.KOBAYASHI	DATE 2009/7/24	TITLE 3.7 MULTIPLE CONN. PLUG HS'G ASS'Y			
	10 OVER 30 UNDER	±0.25	CHECKED BY S.SATO	DATE 2009/7/24				
	30 OVER	±0.3	APPROVED BY N.UKITA	DATE 2009/7/24	MOLEX INCORPORATED DOCUMENT NO. SD-503469-001 SHEET NO. 2 OF 2			
	ANGULAR ±1 °		MATERIAL NO. —//—					
DRAFT WHERE APPLICABLE MUST REMAIN WITHIN DIMENSIONS		THIS DRAWING CONTAINS INFORMATION THAT IS PROPRIETARY TO MOLEX INCORPORATED AND SHOULD NOT BE USED WITHOUT WRITTEN PERMISSION						

注記:
NOTES:

- 製品詳細寸法については、SD-503469-001を参照下さい。
PLEASE REFER TO SD-503469-001 FOR THE DETAILED DIMENSION OF THE CONNECTOR.
- 梱包数量：1500 個/リール
NUMBER OF CONNECTORS：1500 PCS/REEL.
- リードテープ長さ
LEAD TAPE LENGTH.



- 材料
MATERIAL
キャリアテープ：ポリスチレン
CARRIER TAPE：POLYSTYRENE
トップテープ：ポリエステル, ポリエチレン, ポリエチレンテレフタレート
TOP TAPE：POLYESTER, POLYETHYLENE, POLYETHYLENE TEREPHTHALATE
リール：ポリスチレン <リサイクル材含む>
REEL：POLYSTYRENE (PS) <RECYCLE MATERIAL CONTAINED>
- ELV及びRoHS適合品
ELV AND RoHS COMPLIANT



24mm	503469-0209	503469-0200	2
エンボステープ幅 CARRIER TAPE WIDTH	装着コネクタ CONNECTOR	EMBOSSD TAPE PACKAGE	CIRCUIT 極数
		オーダー番号 ORDER No.	
		コネクタシリーズ番号 CONNECTOR SERIES No.	
			503469-***00

RELEASED EC NO.: J2010-0155 DRW: H.KOBAYASHI 2009/07/24 CHK: D.SSAT003 2009/07/26 APPR: NUKITA 2009/07/27	DESCRIPTION GENERAL TOLERANCES (UNLESS SPECIFIED)	10 UNDER	± 0.2	DIMENSION STYLE MM ONLY	SCALE ----- DESIGN UNITS METRIC	THIRD ANGLE PROJECTION	
		10 OVER 30 UNDER	± 0.25				
		30 OVER	± 0.3	DRAWN BY H. KOBAYASHI	DATE 2009/7/24	TITLE EMBOSSD TAPE PACKAGE FOR 503469-****	
		ANGULAR	± 1 °	CHECKED BY S. SATO	DATE 2009/7/24		
		DRAFT WHERE APPLICABLE MUST REMAIN WITHIN DIMENSIONS		APPROVED BY N. UKITA	DATE 2009/7/24		
REV		MATERIAL NO.		---	MOLEX MOLEX INCORPORATED	DOCUMENT NO. SD-503469-002	SHEET NO. 1 OF 1