

Data sheet

Commercial Art.No.: 96.052.4151.4

Connector RST20i5S S1 ZR2SVL BR0

RST20i5 connector, 5 pole, male, screw connection, application ~50V/-120V, 20A, for cable diameters 10-14mm, coding color signal brown, color of housing black



Commercial Art.No.	96.052.4151.4
EAN	4015573891029
Order Unit	1

Certificates / Approvals



LR

RINA



Technical data

General

Rated current	20 A
Rated voltage	50 V / 120 V
Rated impulse voltage	4 kV
strain relief	yes
Pollution degree	3
Lockable	self-locking (unlocking by tool)
Color of coding/ contact carrier	signal brown
Marking of poles	1, 2, 3, 4, 5
Color of housing inclusive strain relief	black

Connection Data

Cable diameter max.	14 mm
Cable diameter min.	10 mm
Connection cross section solid mm ² max.	4 mm ²
Connection cross section solid mm ² min.	0.75 mm ²
Connection cross section solid AWG min.	18 AWG
Connection cross section solid AWG max.	14 AWG
Connection cross section fine stranded mm ² max.	4 mm ²
Connection cross section fine stranded mm ² min.	0.75 mm ²
Terminations per pole	1
Connection cross section stranded mm ² min.	0.75 mm ²
Connection cross section stranded mm ² max.	4 mm ²
Connection cross section stranded AWG min.	18 AWG
Connection cross section stranded AWG max.	14 AWG
sheath strip length	26.5 mm
Wire strip length	8 mm

Model

Model	male
Connection type	screw connection
Degree of protection (IP)	IP66/68 (3m;2h) /IP69

Material

Housing material	Polyamide
halogen free	yes
Contact material	CuZn
Fire load	0.285 kWh
Insulation components continuous temperature	100 °C
Surface finish	Silver-plated

Dimensions

Length	78.4 mm
Width	34.6 mm
Height	34.6 mm

Classification

ECLASS 11	
ECLASS 8.1	27440605
ETIM 7.0	EC002560
ETIM 6.0	EC002560
ETIM 5.0	EC002560
ETIM 4.0	EC002560

Note

Note	RST® terminals with screw clamping allow the connection of conductors without special preparation (without ferrules) according to EN 60999-1.
------	---

Product compliance

ROHS conformity status	Compliant/Exempted
ROHS exceptions	III-6(c)
REACH-SVHC conformity status	Duty-To-Declare
REACH-SVHC substances	Lead
REACH-SVHC CAS numbers	7439-92-1

Accessories

Commercial Art.No.:	Article-type description:	Description:
05.565.9953.1	Cover for male connector SW	RST20i5/4 cover piece, for covering unused male connectors, color black
99.532.0000.7	Cover for male connector SW	RST20i5/4 cover piece, for covering unused male connectors, with fastening belt, color black

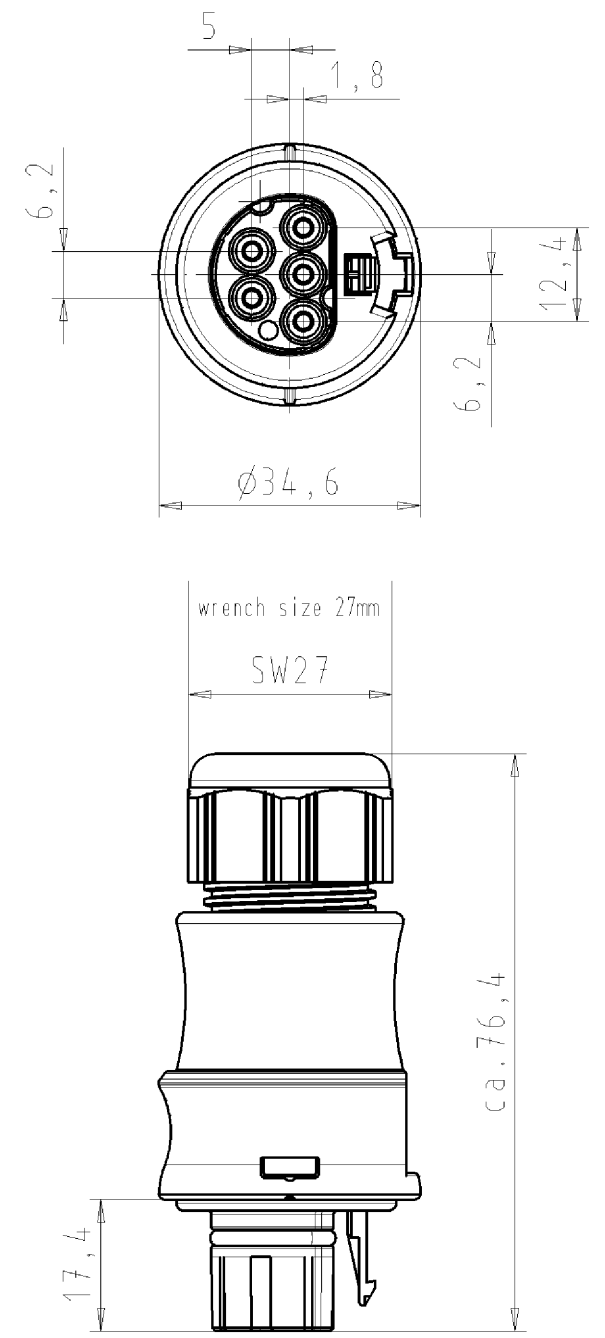
Fits with

Commercial Art.No.:	Article-type description:	Description:

96.051.4151.4	Connector RST20I5S B1 ZR2S L BR0	RST20i5 connector, 5 pole, female, screw connection, application ~50V/-120V, 20A, for cable diameters 10-14mm, coding color signal brown, color of housing black
96.053.4151.4	Connector RST20I5S B1 YR2S L BR0	RST20i5 connector (90° angled), 5 pole, female, screw connection, application ~50V/-120V, 20A, for cable diameters 10-14mm, coding color signal brown, color of housing black
96.051.5051.4	Device connector RST20I5S B1 M01 L BR0	RST20i5 device connector M25, 5 pole, female, screw connection, application ~50V/-120V, 20A, coding color signal brown
96.051.6151.4	Device connector RST20I5S B1 M03 L BR0	RST20i5 device connector M16, 5 pole, female, screw connection, modular, application ~50V/-120V, 20A, coding color signal brown, color of housing black
96.051.6051.4	Device connector RST20I5S B1 M00 L BR0	RST20i5 device connector M20, 5 pole, female, screw connection, modular, application ~50V/-120V, 20A, coding color signal brown, color of housing black
96.053.6051.4	Device connector RST20I5S B1 M90 L BR0	RST20i5 device connector (90° angled) M20, 5 pole, female, screw connection, modular, application ~50V/-120V, 20A, coding color signal brown, color of housing black
96.053.6251.4	Device connector RST20I5S B1 M91 L BR0	RST20i5 device connector (90° angled) M25, 5 pole, female, screw connection, modular, application ~50V/-120V, 20A, coding color signal brown, color of housing black
96.051.6353.4	Device connector RST20I5S B1 M02V BR01	RST20i5 device connector M32, 5 pole, female, screw connection, modular, application ~50V/-120V, 20A, coding color signal brown, color of housing black

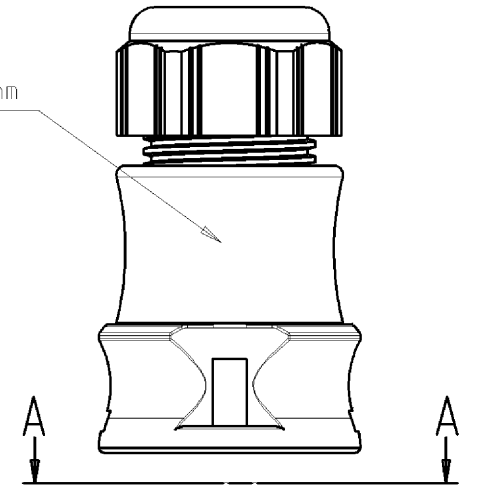
These dimensions will be especially checked at delivery
 Only inspection dimensions
 With /E marked dimensions are only valid for internal use

Diese Maße werden bei Abnahme besonders geprüft
 Ausschließlich Prüfmaße
 Mit /E gekennzeichnete Maße sind nur für interne Zwecke gültig

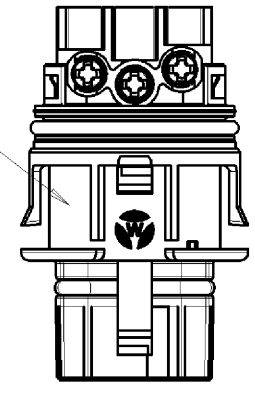


Auslieferungszustand delivery status

for cable diameter 10-14mm
 für Kabeldurchm. 10-14mm
 Farbe:black,
 similar to RAL 9005
 Farbe:schwarz,
 ähnl. RAL 9005

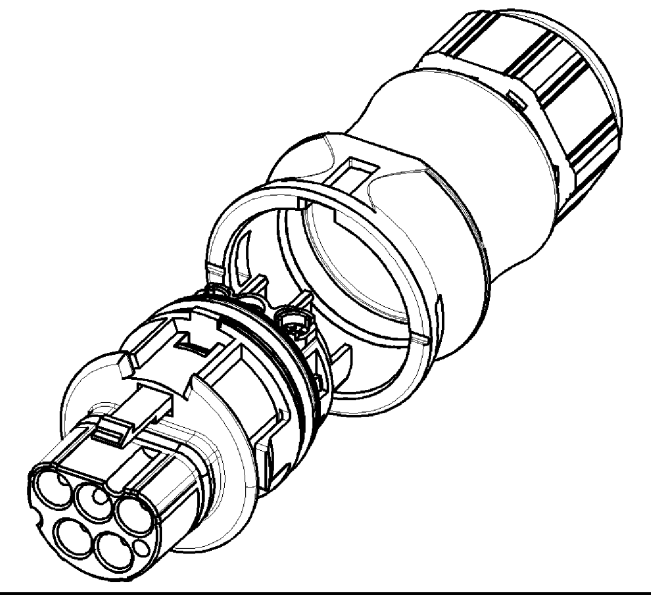
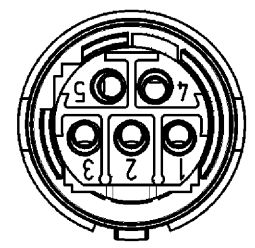


color: signalbrown,
 similar to RAL 8002
 Farbe:signalbraun,
 ähnl. RAL 9005



Verpackungseinheit: je 100 Stück
 packaging unit: per 100

A-A



Type: RST2015S S1 ZR2SVL BR01

Tolerierung nach DIN 7167/Tolerance system acc. to DIN 7167. (This DIN-standard describes the envelope principle. According to the envelope principle the deviations of form and parallelism are limited by the size tolerances).		nein/no <input checked="" type="checkbox"/> Stoffverbots- und Deklarationsliste nach UU-TQM-05/03 ist einzuhalten. Conformity with Wieland document UU-TQM-05/03 (list of prohibited / declarable hazardous substances) to be declared!	
Freitoleranz nach General tolerance		CAD - Zeichnung, keine manuellen Änderungen CAD - drawing, no manual modifications allowed	
1. Verwendung: First Use:		Blatt: 1 von 1 Sheet: 1 of 1	
Zeichnung Nr./Drawing No.		Index	
96.052.4151.4 01K		a	
Maße in mm/Dimensions are in mm			
Ersatz für/Replacement for: 96.052.4153.4 01K von 10.01.2006			
Type		Benennung/Tittle	
a 06.02.2006/		STECKERTEIL MIT ZUIGENTLASTUNG	
Index Datum / Blatt Date / Sheet		male connector with cord grip Schraubanschluss ohne Drahtschutz/screw-connection without wire protection Kodierung/keying 1 (Niedervolt/low voltage)	
Änderung/Revision		Elektrische Verbindungen	

Weitergabe sowie Vervielfältigung dieses Dokuments, Verwertung und Mitteilung seines Inhalts sind verboten, soweit nicht ausdrücklich gestattet.
 The reproduction, distribution and utilization of this document as well as the communication of its contents to others without express authorization is prohibited.

960524151401K_4_CADW1019_Kneitz 2006-02-06T13:10:47 1.000 QU-PEM-08/91