

MICRO-SIM CARD

**PIN Assignment:**

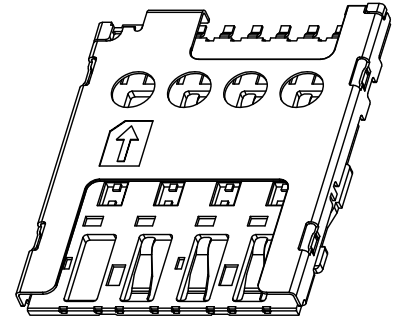
Pin1:VCC
Pin2:RST
Pin3:CLK
Pin4:Reserved
Pin5:GND
Pin6:VPP
Pin7:I/O
Pin8:Reserved

**Material:**  
 Housing:LCP,UL94V-0  
 Contact:C5210 , Gold Flash Plated On Contact Area;  
 Gold Flash Plating On Solder Tails;  
 With Entrre Contact Underplated Nickel  
 Shell:SUS304,Nickel Underplated Over all,  
 Gold Flash Plated On Solder Tails

**Electrical SpecificaTions:**  
 Current Rating:0.5A  
 Voltage Rating:5V  
 Contact Resistance:50mΩ Max.  
 Insulation resistance:1000MΩ Min  
 Durabiliy:3000 Cycles Min

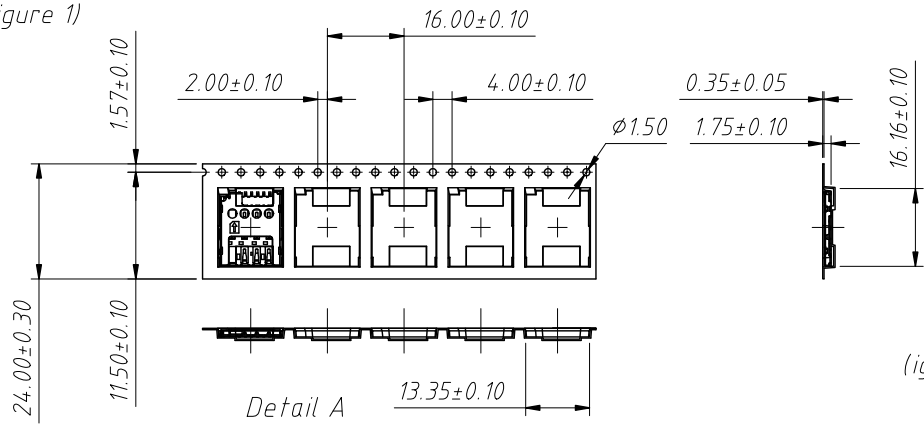
Not Gnd  
 For Hold-Down Only

Recommended PCB Layout  
 Tolerance ±0.05



GENERAL TOLERANCE	ANGLE TOLERANCE	PROJECTION		
X ±0.15	X ±5°	UNITS	mm	Micro SIM Card CONN,6P,H1.45mm
.X ±0.03	.X ±3°	SHEET SIZE	A4	
.XX ±0.05	.XX ±2°	KLS P/N:		
Draw by: Jenny	Date: 2022-04-11	NingBo KLS ELECTRONIC CO.,L TD.		
Check by:	Date: 2022-04-11			
SCALE	SHEET 1 OF 1			

(figure 1)

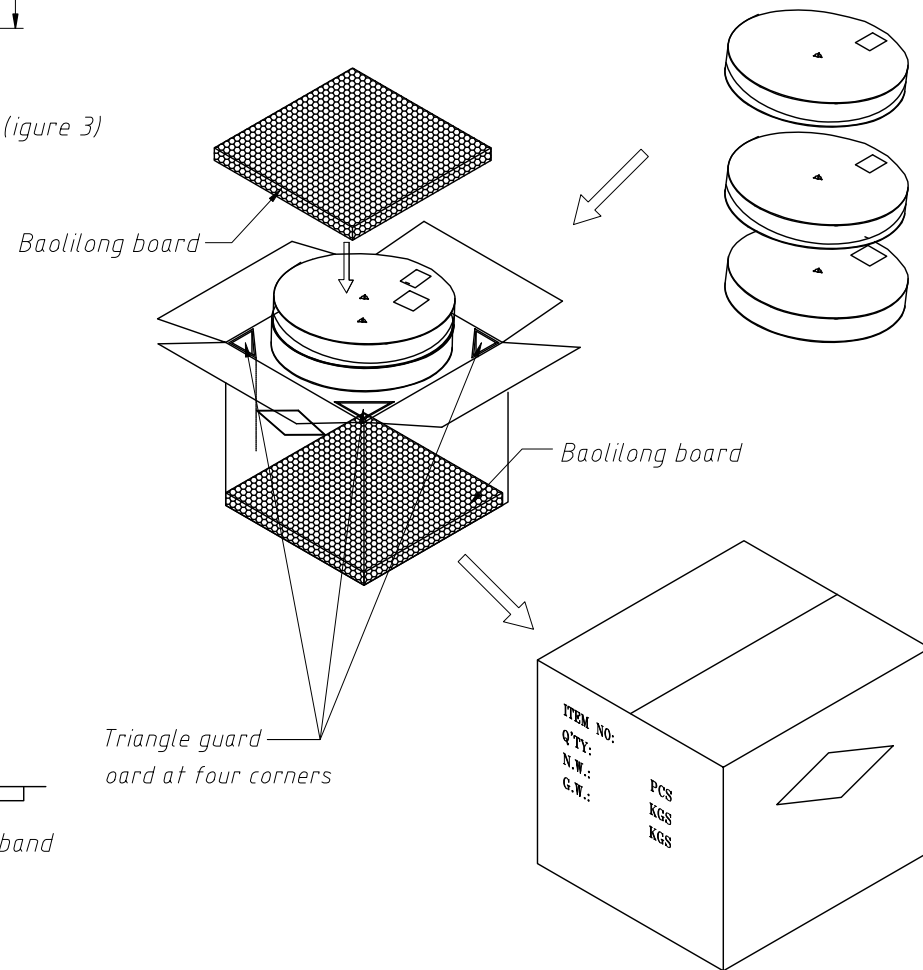


(table 1)

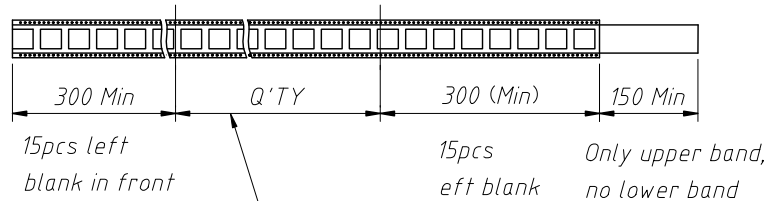
Number of packages

Pcs/ volume	Roll / box	Pcs/ box
1500	11	16500

(figure 3)

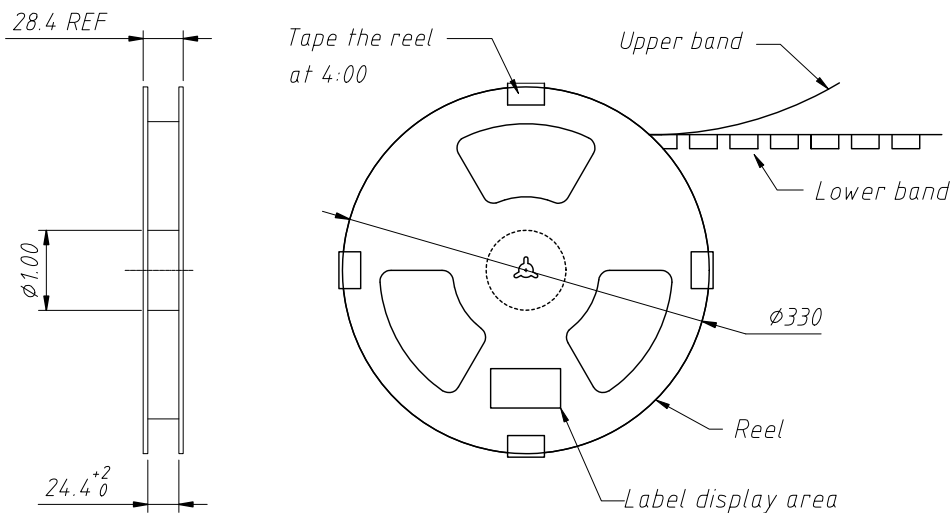


Feeding direction



The quantity of product loading area shall be in accordance with table 1

(figure 2)



ANGLE TOLERANCE	PROJECTION	Description:	Micro SIM Card CONN,6P,H1.45mm	
$\pm 3^\circ$				
GENERAL TOLERANCE	UNITS	mm	KLS P/N: L-KLS1-SIM-046-6P	
x.x $\pm 0.30$	SHEET SIZE	A4	NingBo KLS ELECTRONIC CO.,L TD.	
x.xx $\pm 0.20$	Draw:	Daniel		2022-05-15
x.xxx $\pm 0.10$	Check:	Daniel		2022-05-15