

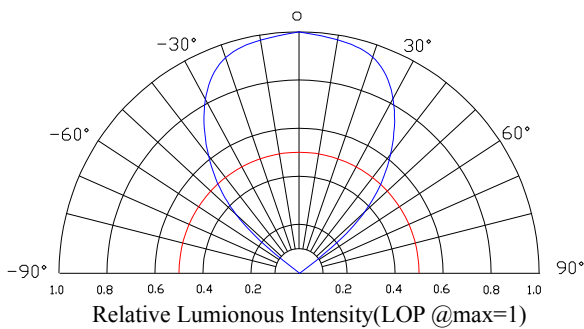
FYL-3044XXX1C

Features:

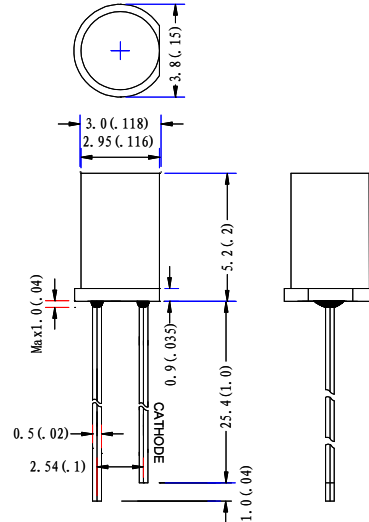
- General purpose leads
- RoHs compliant.

Descriptions:

- Dice material: GaP/GaAsP/InGaN/AlGaInP.
- Device Outline: $\Phi 3\text{mm}$ Cylinder Type.
- Radiation pattern.



Package configuration



- ◆ All dimensions are millimeters (inches)
- ◆ Tolerance is $\pm 0.25\text{mm}$ (.010") unless otherwise noted.

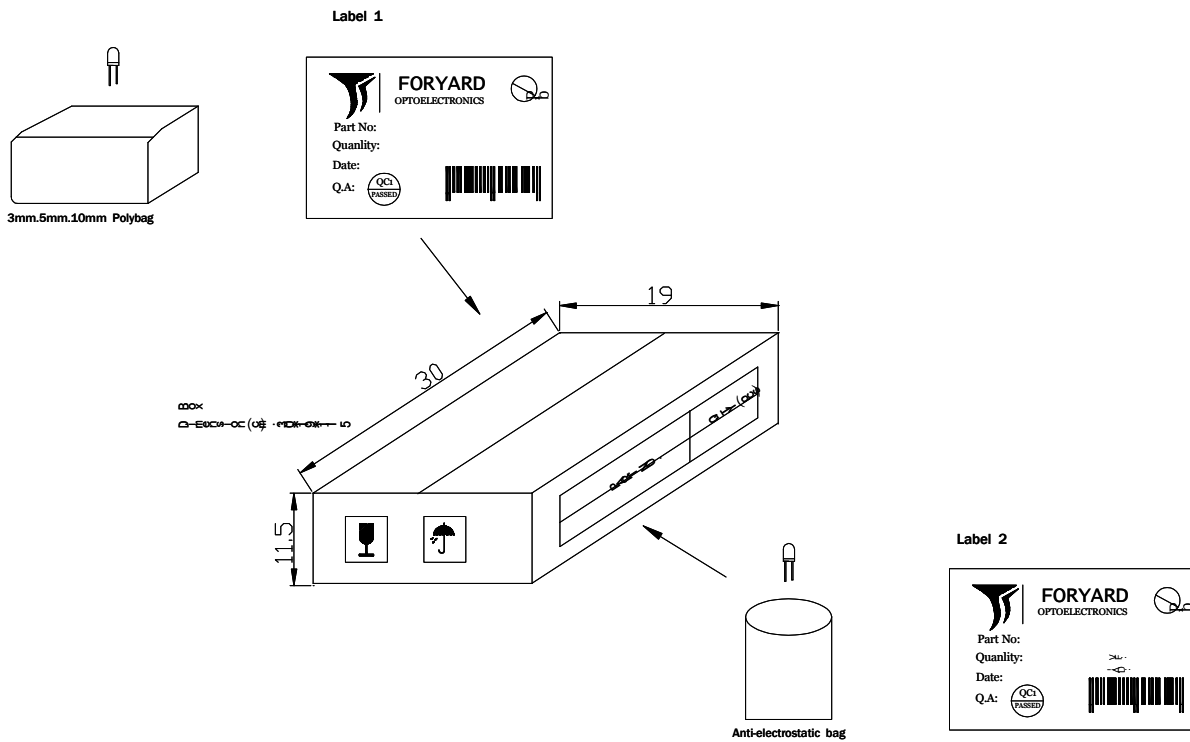
Absolute maximum ratings($T_a=25^\circ\text{C}$)

Parameter	MAX.	Unit
Continuous Forward Current	20	mA
Derating Linear From 50°C	0.4	mA/ $^\circ\text{C}$
Reverse Voltage	5	V
Operating Temperature Range	-30°C to $+80^\circ\text{C}$	
Storage Temperature Range	-40°C to $+100^\circ\text{C}$	
Lead Soldering Temperature[4mm(.157") From Body]	260°C for 5 Seconds	

Optical Characteristics at TA = 25° C

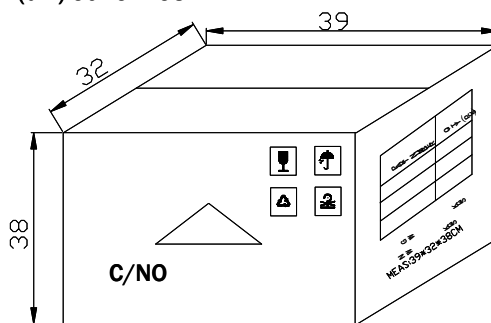
Part Number	Lens Color	Wave length (nm)	Intensity (mcd)	Angle 2 θ 1/2
FYL-3044HC1C	Water Clear	700	15	90
FYL-3044SRD1C	Red Diffused	660	55	100
FYL-3044ED1C	Red Diffused	625	30	100
FYL-3044YD1C	Yellow Diffused	588	30	100
FYL-3044GD1C	Green Diffused	568	30	100
FYL-3044LRD1C	Red Diffused	660	80	100
FYL-3044SURC1C	Water Clear	630	350	90
FYL-3044NURC1C	Water Clear	630	400	90
FYL-3044SUAC1C	Water Clear	610	350	90
FYL-3044SUYC1C	Water Clear	588	320	90
FYL-3044NUYC1C	Water Clear	588	450	90
FYL-3044SUGC1C	Water Clear	568	280	90
FYL-3044PGC1C	Water Clear	520	1500	85
FYL-3044BGC1C	Water Clear	505	1400	85
FYL-3044UBC1C	Water Clear	470	750	85
FYL-3044VC1C	Water Clear	410	90(mW)	85
FYL-3044UWC1C	Water Clear	X:0.29 Y:0.30 / 9500k	900	90

LAMP PACKING.



DEVICE	QTY/polybag(pcs)	Polybag/box A	Fig
5mm(T-1 3/4)	1000	8 bags	Label 1
3mm(T-1)	1000	10 bags	Label 1
10mm(T-1)	250	8 bags	Label 1
Blue/Green/White	500pcs	8 bags	Label 2

CARTON
Dimension(cm):39*32*38



6 Boxes/Carton
 5mm:48,000pcs
 3mm:60,000pcs
 10mm:12,000pcs
 Blue/Pure Green/bluish Green
 /White:24,000pcs