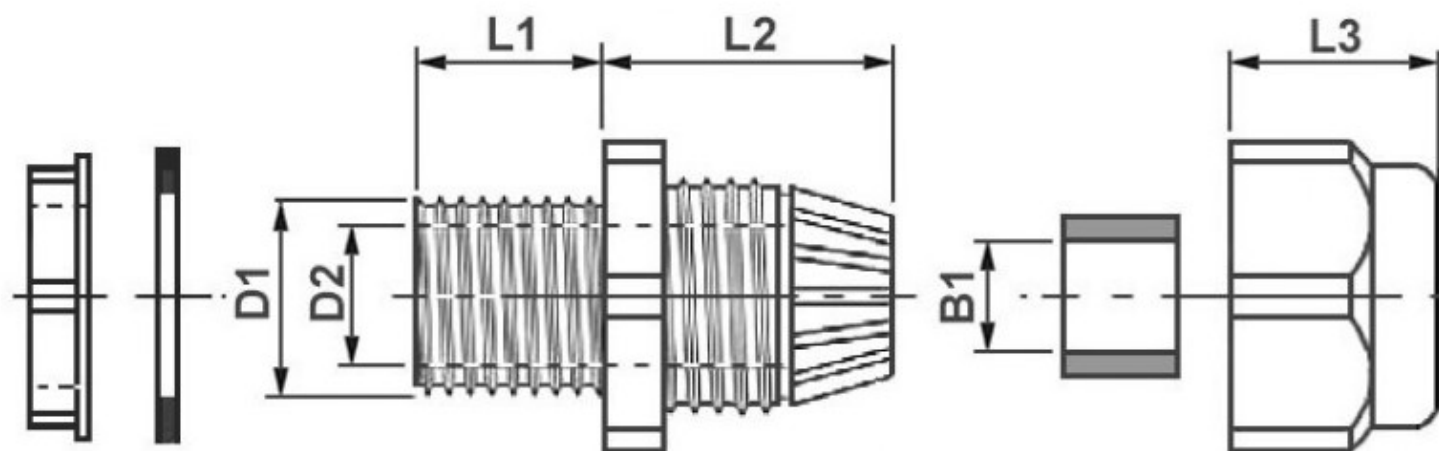


PG



Типоразмер	D1	D2	L1	L2	L3	B1	Диаметр кабеля, мм
PG7	12.3	8.8	9.5	18.1	13.2	7.5	3-6.5
PG9	15.1	11.6	9	20	14.9	9.1	4-8
PG11	18.1	14.8	7.3	23.2	16.7	10.9	5-10
PG13.5	24.3	15	8.9	24.4	17.1	12	6-12
PG16	22.2	17.4	10	24.3	18.4	14.2	10-14
PG19	23.8	19.5	10	27	18.3	15.7	12-15
PG21	27.8	23.3	10	29.8	21.9	17.5	13-18
PG25	29.7	25.2	10.7	29.1	20.7	20.5	16-21
PG29	36.4	31.8	13.1	33.3	25.5	24.5	18-25
PG36	46	41	14.8	37.7	27.8	31.7	22-32
PG42	52.9	47.5	13.4	42.2	30	37.8	32-38
PG48	58.5	52.3	14.8	43.5	30	43.9	37-44