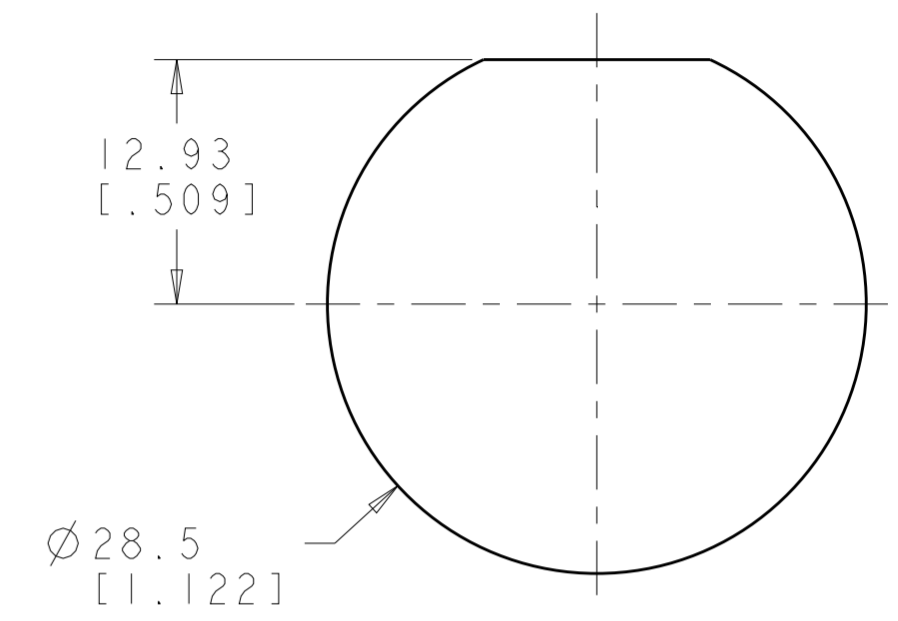
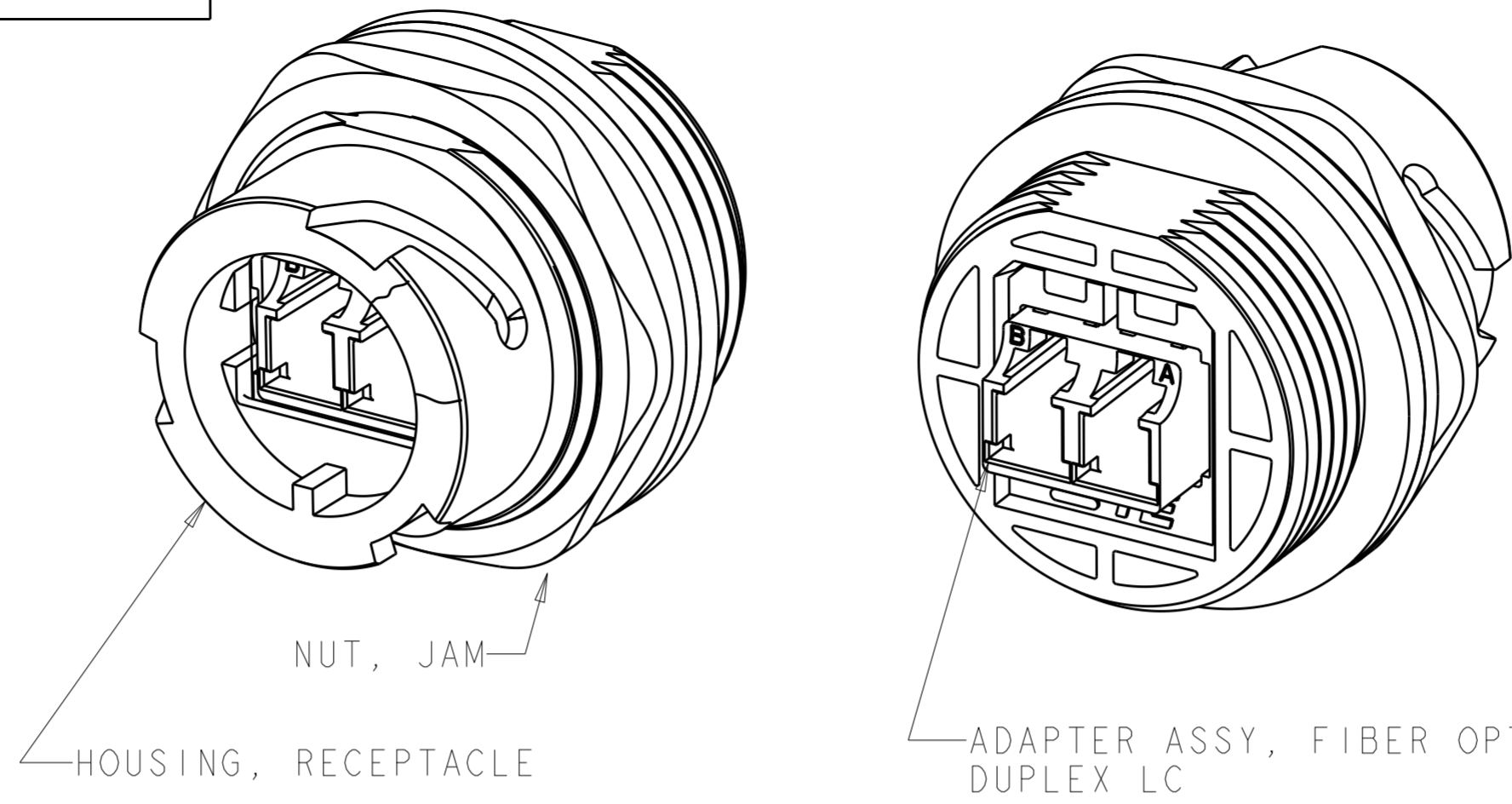
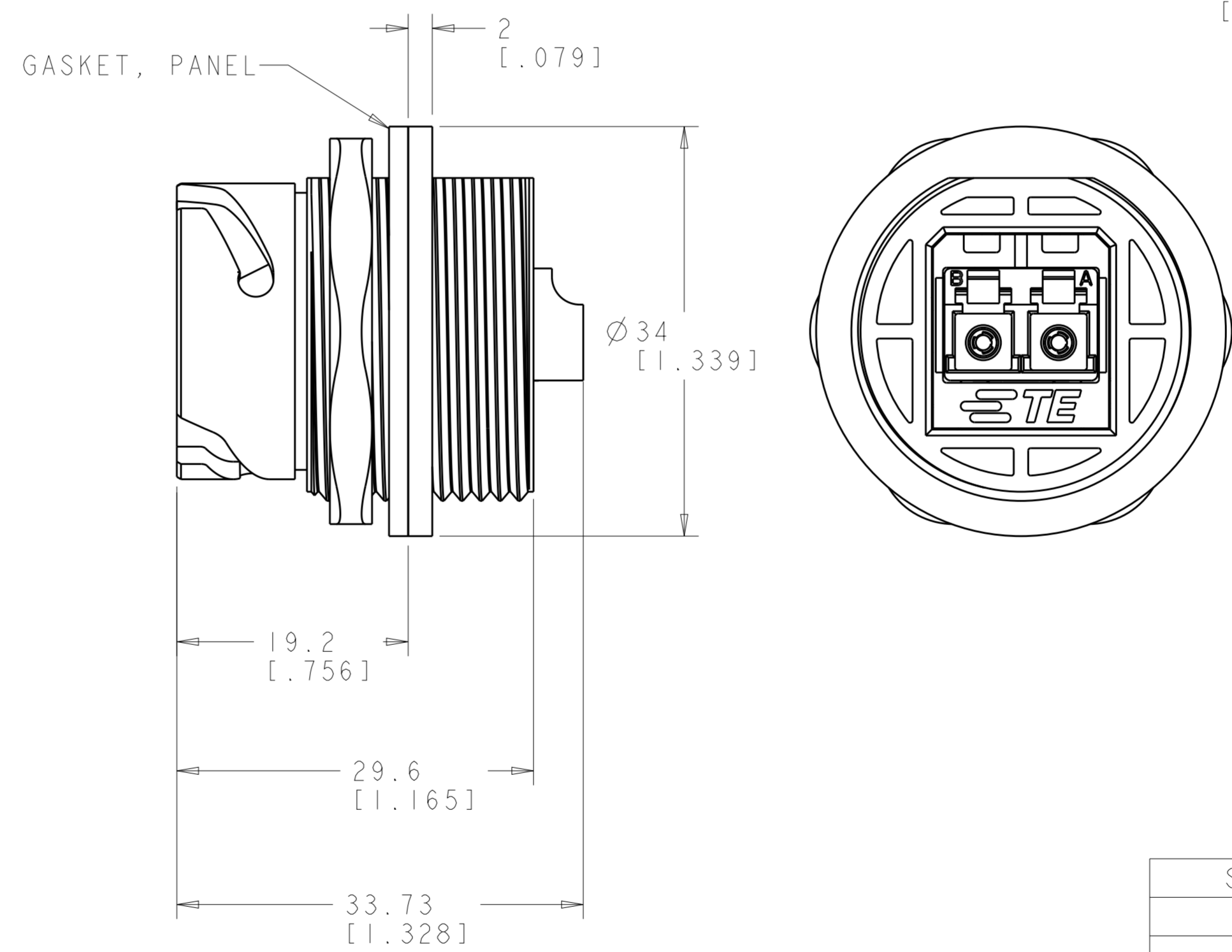
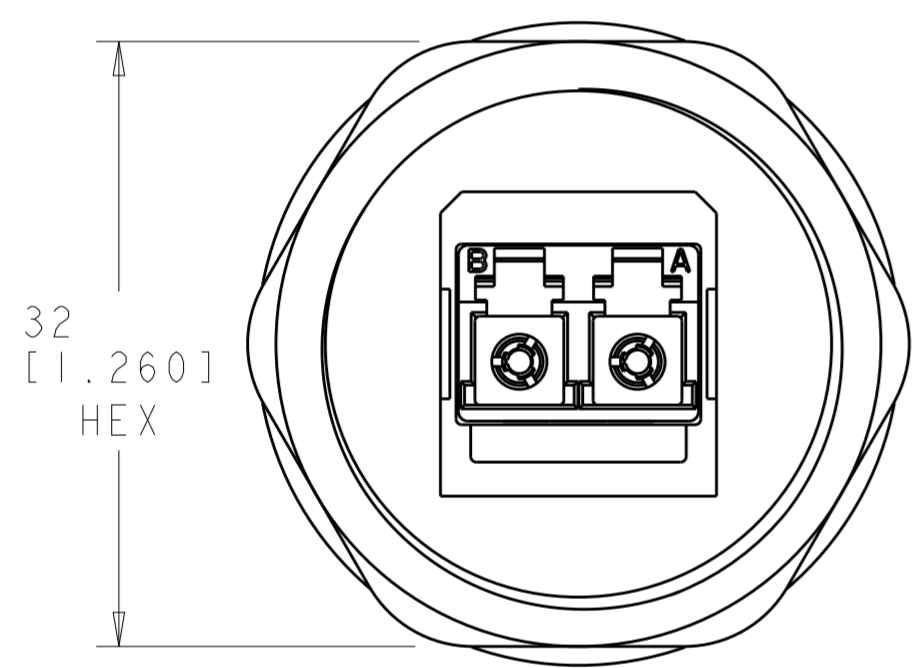


THIS DRAWING IS UNPUBLISHED. RELEASED FOR PUBLICATION 20
 © COPYRIGHT 20 BY - ALL RIGHTS RESERVED.

REVISIONS					
P	LTR	DESCRIPTION	DATE	DWN	APVD
A		REL TO ACTIVE PER ECR-08-029127	10DEC2008	DDE	DDE
AI		ECR-13-016190	180C2013	KZ	RZ



RECOMMENDED PANEL CUT-OUT
 MAX PANEL THICKNESS 3.2mm



⚠ MATERIAL:
 HOUSING, RECEPTACLE: PBT, COLOR: BLACK*
 NUT, PANEL: BRASS, Ni PLATED
 GASKET: SILICONE, COLOR: RED/ORANGE

LC DUPLEX ADAPTER ASSY:
 HOUSING: PEI, COLOR: MM BEIGE, SM BLUE*
 PROTECTIVE COVERS: TPE, COLOR: BLACK*
 ALIGNMENT SLEEVES: MM METAL, SM CERAMIC

* UL 94 V-0 RATED AT QUALIFYING THICKNESS.

- ADAPTER PROTECTIVE COVERS ARE INCLUDED; NOT SHOWN.
- ADAPTER SEALED PROTECTIVE CAP W/ TETHER IS ALSO AVAILABLE, P/N 1918177-1.

SINGLEMODE	1828619-2
MULTIMODE	1828619-1
DESCRIPTION	PART NO

THIS DRAWING IS A CONTROLLED DOCUMENT.		DWN D. ERDMAN 19MAY2005	TE Connectivity	
DIMENSIONS: mm [IN]		CHK M. GURRERI 19MAY2005		
		APVD - 19MAY2005		
TOLERANCES UNLESS OTHERWISE SPECIFIED:		NAME		KIT, RECEPTACLE, INDUSTRIAL DUPLEX LC ODVA
0 PLC ±0.2	1 PLC ±0.1	SIZE		
2 PLC ±0.1	3 PLC ±	CAGE CODE		A200779
4 PLC ±	ANGLES ±	DRAWING NO		
MATERIAL	FINISH	WEIGHT		RESTRICTED TO
-	-	CUSTOMER DRAWING		-
		SCALE 5:2		SHEET 1 OF 1
				REV AI