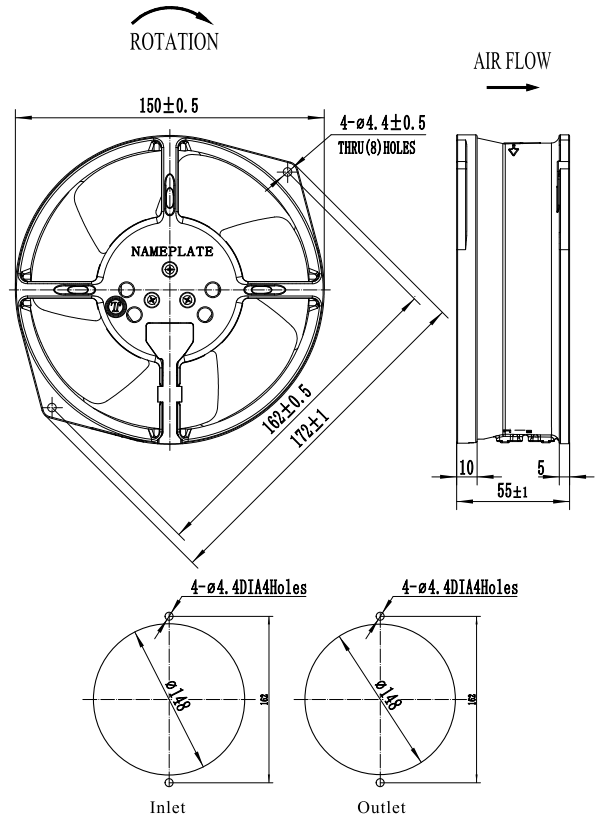




JIULONG MOTOR
AC/DC FANS COOLING FANS

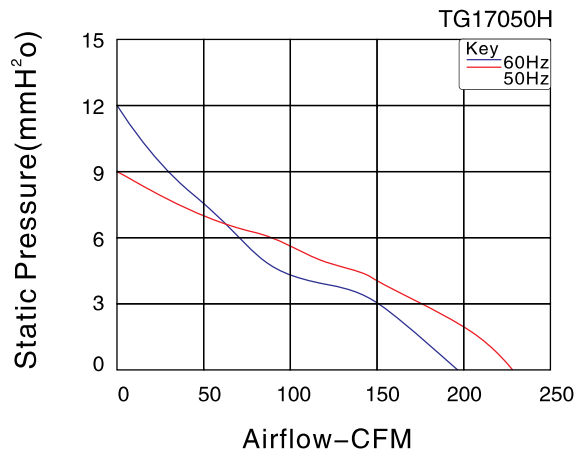


UL
E248719

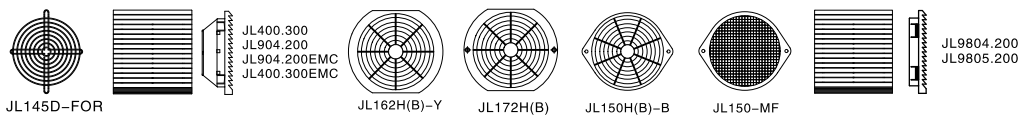


尺寸 Size: 172mm × 150mm × 55mm
 风量 Airflow: 191–224CFM
 重量 Weight: 1200g
 噪音 Noise: 48–52dB(A)
 风叶 Impeller Material: Metal
 外框 Frame: Aluminum Alloy
 端子 Terminals: 0.5mm
 引线 Lead Wire: Teflon #22UL 1322(Optional)
 马达 Motor: Shaded Pole And External Rotor Induction Motor
 温度范围 Operating Temperature: -10°C~+65°C

产品型号 Model	轴承型式 Bearing System	电压 Voltage VAC	频率 Freq. Hz	电流 Current A	功率 Power W	转速 Speed RPM	噪音 Noise dB(A)	风量 Air Flow CFM	相数 Phase	电容 Capacitor μF/VAC
TG17055HA,B-7P	Ball	100/125	50/60	0.58/0.5	42/39	2800/3100	48/52	191/224	1	/
TG17055HA,B-7P	Ball	200/240	50/60	0.25/0.2	35/31	2800/3100	48/52	191/224	1	/

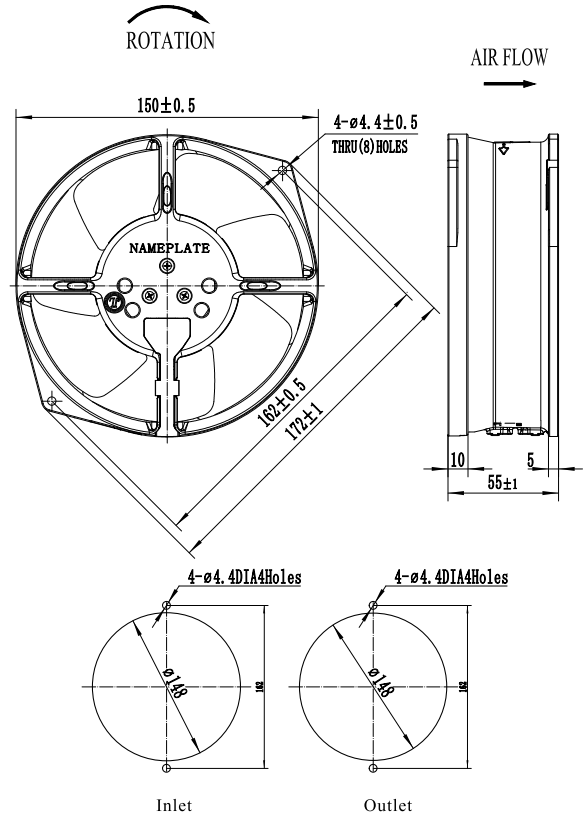


Fan Accessories



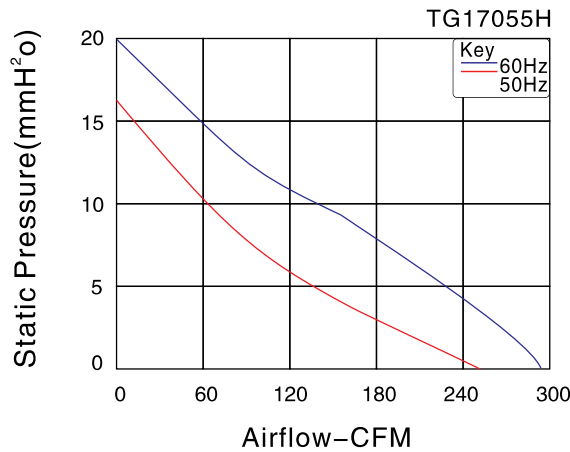
本样册仅供参考, 具体以规格书为准。
 This sample book is for reference only, please refer to the specification for details.
 如得特殊电压也可得特殊规格, 本公司保留技术修改权利。
 Special voltage may be provided if necessary, according to the inquiry, along with technical modification rights reserved.

Http://www.xtgygs.cn

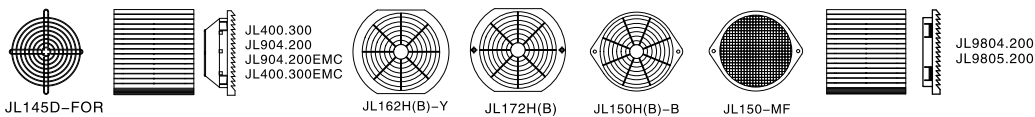


尺寸 Size: 172mm × 150mm × 55mm
 风量 Airflow: 250–293CFM
 重量 Weight: 1200g
 噪音 Noise: 56–61dB(A)
 风叶 Impeller Material: Metal
 外框 Frame: Aluminum Alloy
 端子 Terminals: 0.5mm
 引线 Lead Wire: Teflon 22#UL 1332(Optional)
 马达 Motor: Capacitor-Run And External Rotor Induction Motor
 温度范围 Operating Temperature: -10℃~+65℃

产品型号 Model	轴承型式 Bearing System	电压 Voltage VAC	频率 Freq. Hz	电流 Current A	功率 Power W	转速 Speed RPM	噪音 Noise dB(A)	风量 Air Flow CFM	相数 Phase	电容 Capacitor μF/VAC
TG17055HA ₁ B-C-7P	Ball	100/125	50/60	0.35/0.40	46/50	2850/3300	56/61	250/293	1	3.3/250
TG17055HA ₂ B-C-7P	Ball	200/240	50/60	0.20/0.22	46/50	2850/3300	56/61	250/293	1	1/500



Fan Accessories



AC Axial Fan
AC 轴流风机

AC All-Metal Axial Fan
AC 全金属轴流风扇

DC Axial Fan
DC 轴流风机

DC Centrifugal Fan
DC 离心风机

EC Axial Fan
EC 轴流风机

EC Centrifugal Fan
EC 离心风机

AC Centrifugal Fan
AC 离心风机

Fan Accessories
风机配件