

Data sheet

Commercial Art.No.: 96.032.4154.3

Connector RST25I3S S1 ZR2 V BG03

RST25i3 connector, 3 pole, screw connection, application 250V with PE, 25A, for cable diameters 10-14mm, coding color concrete grey, color of housing black



Commercial Art.No.	96.032.4154.3
EAN	4015573864108
Order Unit	1

Certificates / Approvals



Technical data

General

Rated current	25 A
Rated voltage	250 V
Rated impulse voltage	4 kV
strain relief	yes
Pollution degree	3
Lockable	self-locking (unlocking by tool)
Color of coding/ contact carrier	concrete grey
Marking of poles	L, N, PE
Color of housing inclusive strain relief	black

Connection Data

Cable diameter max.	14 mm
Cable diameter min.	10 mm
Connection cross section solid mm ² max.	6 mm ²
Connection cross section solid mm ² min.	0.75 mm ²
Connection cross section solid AWG min.	16 AWG
Connection cross section solid AWG max.	10 AWG
Connection cross section fine stranded mm ² max.	6 mm ²
Connection cross section fine stranded mm ² min.	0.75 mm ²
Terminations per pole	1
Connection cross section stranded AWG min.	16 AWG
Connection cross section stranded AWG max.	10 AWG
sheath strip length	26.5 mm
Wire strip length	8 mm

Model

Model	male
-------	------

Connection type	screw connection
Degree of protection (IP)	IP66/68 (3m;2h) /IP69

Material

Housing material	Polyamide
halogen free	yes
Contact material	CuZn
Fire load	0.269 kWh
Insulation components continuous temperature	100 °C
Surface finish	Silver-plated

Dimensions

Length	79.1 mm
Width	34.6 mm
Height	34.6 mm

Classification

ECLASS 11	
ECLASS 8.1	27440605
ETIM 7.0	EC002560
ETIM 6.0	EC002560
ETIM 5.0	EC002560
ETIM 4.0	EC002560

Note

Note	RST® terminals with screw clamping allow the connection of conductors without special preparation (without ferrules) according to EN 60999-1.; Rated current up to 32 A with cross section 6 mm ²
------	--

Product compliance

ROHS conformity status	Compliant/Exempted
ROHS exceptions	III-6(c)
REACH-SVHC conformity status	Duty-To-Declare
REACH-SVHC substances	Lead
REACH-SVHC CAS numbers	7439-92-1

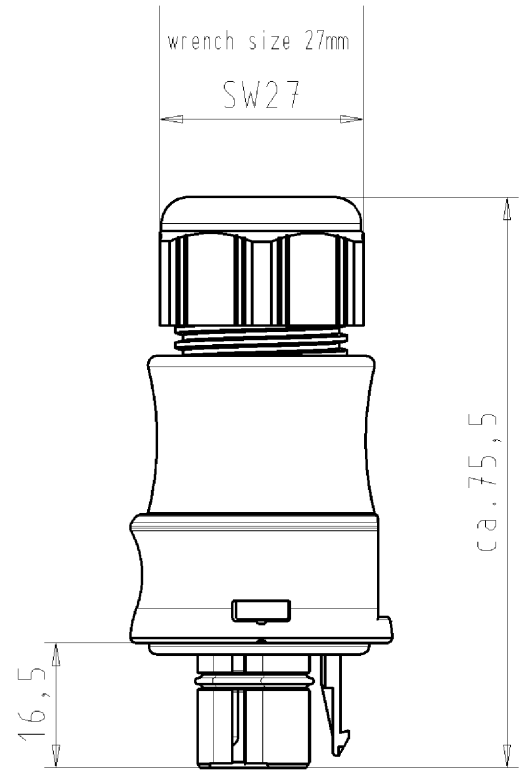
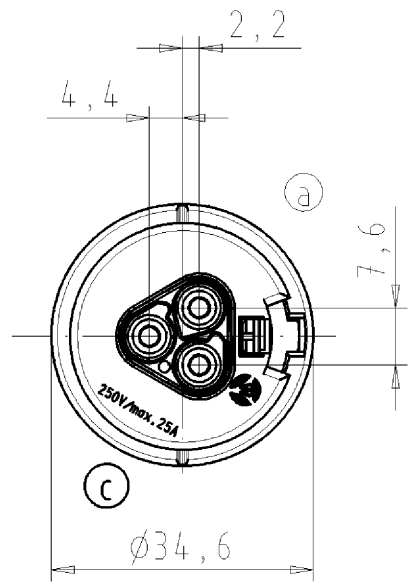
Fits with

Commercial Art.No.:	Article-type description:	Description:
96.031.4154.3	Connector RST25i3S B1 ZR2SV BG03	RST25i3 connector, 3 pole, screw connection, application 250V with PE, 25A, for cable diameters 10-14mm, coding color concrete grey, color of housing black
96.834.1000.3	Cable assembly RST25i3KSBS 40P 10BG03	RST25i3 extension cable female - male, 3 pole, assembled with screw connection, application 250V with PE, 25A, cable type H05VV-F, length 1.0m, cross section 4.0mm ² , coding color concrete grey
96.033.4154.3	Connector RST25i3SB1 YR2S BG03	RST25i3 connector (90° angled), 3 pole, screw connection, application 250V with PE, 25A, for cable diameters 10-14mm, coding color concrete grey, color of housing black
96.031.5054.3	Device connector RST25i3S B1 M01V BG03	RST25i3 device connector M25, 3 pole, female, screw connection, application 250V with PE, 25A, coding color concrete grey

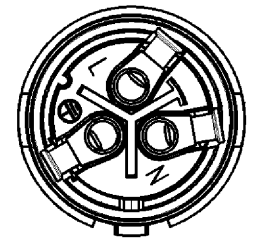
96.031.6054.3	Device connector RST25I3S B1 M00V BG03	RST25i3 device connector M20, 3 pole, female, screw connection, modular, application 250V with PE, 25A, coding color concrete grey, color of housing black
96.031.6154.3	Device connector RST25I3S B1 M03V BG03	RST25i3 device connector M16, 3 pole, female, screw connection, modular, application 250V with PE, 25A, coding color concrete grey, color of housing black
96.033.6054.3	Device connector RST25I3S B1 M90 BG03	RST25i3 device connector (90° angled) M20, 3 pole, female, screw connection, modular, application 250V with PE, 25A, coding color concrete grey, color of housing black

These dimensions will be especially checked at delivery
 Only inspection dimensions
 With /E marked dimensions are only valid for internal use

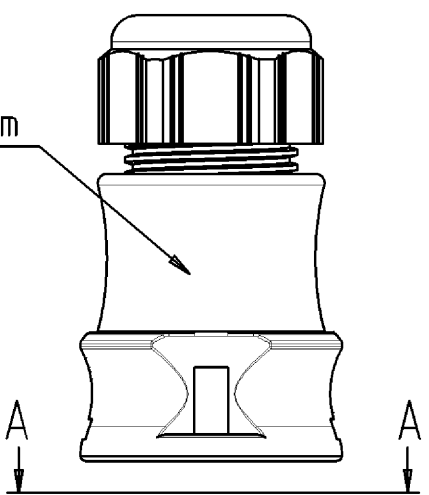
Diese Maße werden bei Abnahme besonders geprüft
 Ausschließlich Prüfmaße
 Mit /E gekennzeichnete Maße sind nur für interne Zwecke gültig



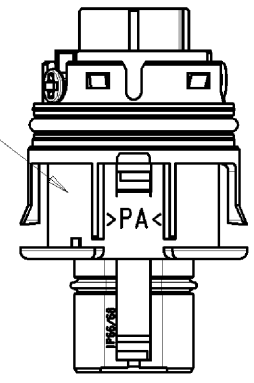
A-A



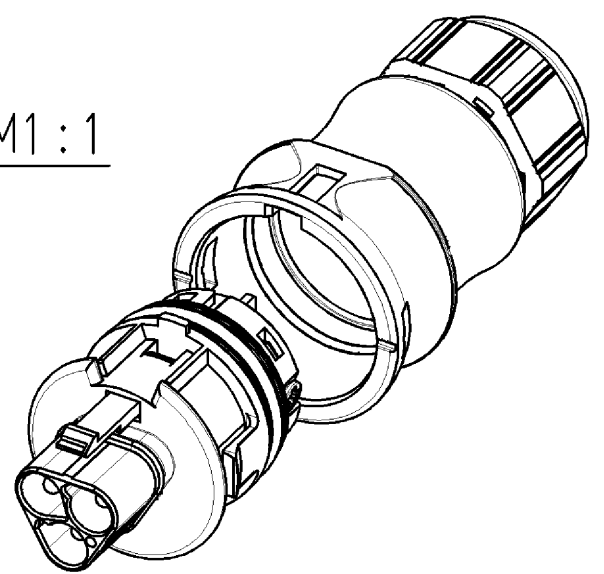
for cable diameter 10-14mm
 für Kabeldurchm. 10-14mm
 color:
 black, similar RAL 9005
 Farbe:
 schwarz, ähnl. RAL 9005



color: grey, similar RAL 7023
 Farbe:
 betongrau,
 ähnl. RAL 7023



M1:1



Type: RST25I3S S1AZR2V BG03

Verpackungseinheit: je 100 Stück
 packaging unit: per 100

Tolerierung nach DIN 7167/Tolerance system acc. to DIN 7167. (This DIN-standard describes the envelope principle. According to the envelope principle the deviations of form and parallelism are limited by the size tolerances).				nein/no <input checked="" type="checkbox"/> Stoffverbots- und Deklarationsliste nach UU-TQM-05/03 ist einzuhalten. Conformity with Wieland document UU-TQM-05/03 (list of prohibited / declarable hazardous substances) to be declared!			
Freitoleranz nach General tolerance		CAD - Zeichnung, keine manuellen Änderungen CAD - drawing, no manual modifications allowed		1. Verwendung: First Use: -		Blatt: 1 von 1 Sheet: of 1	
		Werkstoff/Material		2005 Tag/Date Name		Zeichnung Nr./Drawing No. Index	
				gezeichnet drawn 19.09. Kneitz		96.032.4154.3 01K c	
		Maßstab/Scale		geprüft checked - -		Maße in mm/Dimensions are in mm	
		1:1		Nicht gepr. Stand. check - -			
c 13.09.2006/		Vol. mm ³ Ofl./Surf. mm ²		Ersatz für/Replacement for: -			
b 23.02.2006/				Type		Benennung/Title	
a 21.10.2005/						STECKERTEIL MIT ZUGENTLASTUNG	
Index Datum / Blatt Date / Sheet						male connector with cord grip	
Änderung/Revision						Schraubenschluß ohne Drahtschutz/screw-connection without wire-protection	

Weitergabe sowie Vervielfältigung dieses Dokuments, Verwertung und Mitteilung seines Inhalts sind verboten, soweit nicht ausdrücklich gestattet.
 The reproduction, distribution and utilization of this document as well as the communication of its contents to others without express authorization is prohibited.

960324154301K_4_CADW1026_Schaber 2006-09-13T14:52:59 1.000