

## Data sheet

Commercial Art.No.: 76.350.2535.2

Hood HD GOT GG 25 M20 50 A2

Hood revos HD made of aluminum, for single locking lever with nozzle M20 on the right side, low version, 25-poles



Commercial Art.No.	76.350.2535.2
EAN	4015573625815
Order Unit	1

## Technical data

### General

Housing material	aluminum
Color	Grey
Surface	With powder coating
Degree of protection (IP)	Other
UV resistant	yes
Inflammability class of insulation material acc. with UL94	Other
Operating temperature range min.	-40 °C
Operating temperature range max.	120 °C

### Model

Construction	16/25
Locking mechanism	Single locking lever
Cable entry	Sideways
Type of cable	Intermediate support
With cable screw gland	No
Thread size M	20
Thread size PG	
Hinged lid	No
EMC-version	No
Length	90 mm
Width	33 mm
Height	70 mm

### Classification

ECLASS 11	
ECLASS 8.1	27440202
ETIM 7.0	EC000437
ETIM 6.0	EC000437
ETIM 5.0	EC000437
ETIM 4.0	EC000437
ETIM 3.0	EC000437

### Product compliance

REACH-SVHC conformity status	Compliant
------------------------------	-----------

### Fits with

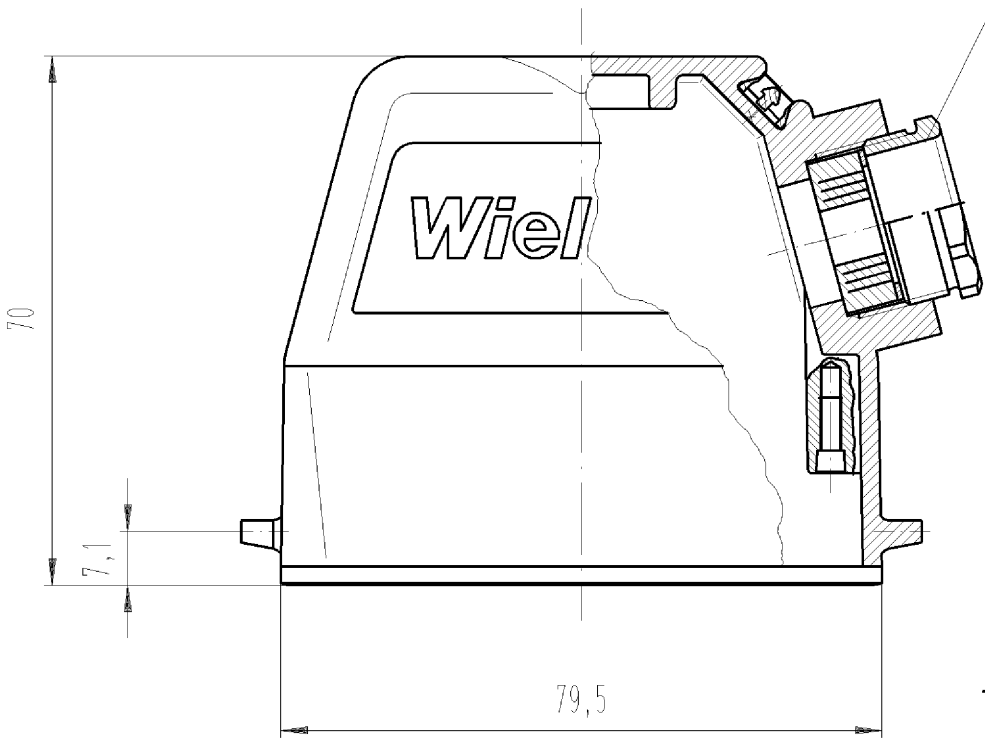
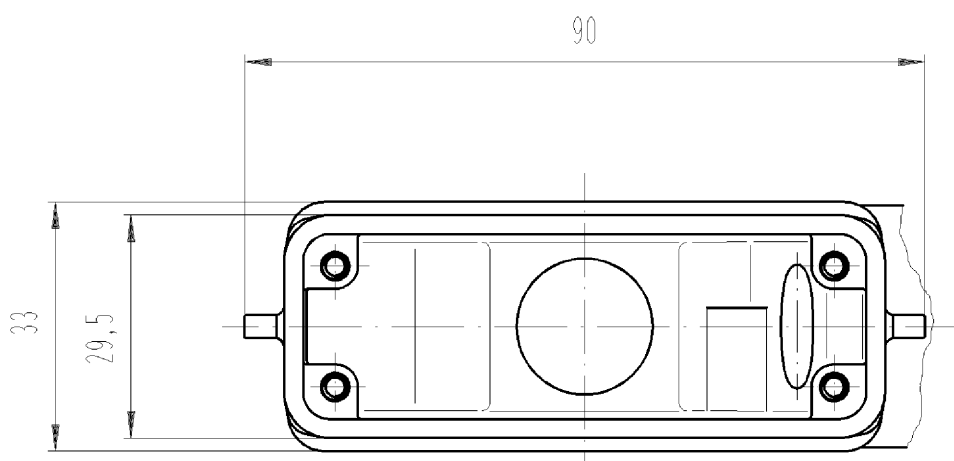
Commercial Art.No.:	Article-type description:	Description:
73.300.1653.0	Female insert HD BUS 16 2,5 25 AG	revos BASIC HD 16 pole + ground, female insert 250V/16A, screw connection
73.300.1653.3	Female insert HD BUS SB 16 2,5 25 AG	revos BASIC HD 16 pole + ground, female insert, marked 17-32, 250V/16A, screw connection
73.310.1653.0	Male insert HD STS 16 2,5 25 AG	revos BASIC HD 16 pole + ground, male insert 250V/16A, screw connection
73.310.1653.3	Male insert HD STS SB 16 2,5 25 AG	revos BASIC HD 16 pole + ground, male insert, marked 17-32, 250V/16A, screw connection
73.700.2553.0	Female insert HD BUC 25 25	revos HD 25 pole + ground, female insert 250V/10A, crimp connection
73.710.2553.0	Male insert HD STC 25 25	revos HD 25 pole + ground, male insert 250V/10A, crimp connection

These dimensions will be especially checked at delivery  
 Only inspection dimensions  
 With ±/∅ marked dimensions are only valid for internal use

Diese Maße werden bei Abnahme besonders geprüft  
 Ausschließlich Prüfmaße  
 Mit ±/∅ gekennzeichnete Maße sind nur für interne Zwecke gültig

These dimensions will be especially checked at delivery  
 Only inspection dimensions  
 With ±/∅ marked dimensions are only valid for internal use

These dimensions will be especially checked at delivery  
 Only inspection dimensions  
 With ±/∅ marked dimensions are only valid for internal use

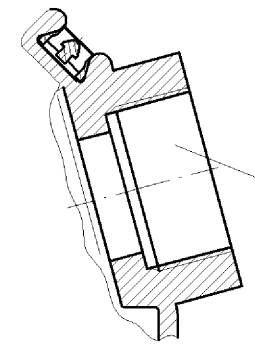


Verschraubung M20  
 screw connection M20

Ausführung .0 / version .0

Weitere Daten siehe Katalog  
 further data see catalog

Ausführung .2/ version .2



mit Zwischenstützen M20  
 with intermediate support

Teile-Nr. part-nr.	Typ type
76.350.2535.0	HD GOT GG 25 M20 50 A0
76.350.2535.2	HD GOT GG 25 M20 50 A2

Tolerierung nach DIN 7167/Tolerance system acc. to DIN 7167. (This DIN-standard describes the envelope principle. According to the envelope principle the deviations of form and parallelism are limited by the size tolerances).				ja/yes <input checked="" type="checkbox"/> Stoffverbots- und Deklarationsliste nach UU-TQM-05/03 ist einzuhalten. Conformity with Wieland document UU-TQM-05/03 (list of prohibited / declarable hazardous substances) to be declared!			
Freitoleranz nach General tolerance		CAD - Zeichnung, keine manuellen Änderungen CAD - drawing, no manual modifications allowed		1. Verwendung: First Use: -		Blatt: 1 von 1 Sheet: of 1	
/		Werkstoff/Material		2006 Tag/Date Name		Zeichnung Nr./Drawing No. Index	
/		Maßstab/Scale		gezeichnet drawn 02.05. Schmitt J.		T 76.350.2535.0 01K	
/		%		geprüft checked - -		Maße in mm/Dimensions are in mm	
/		Vol. mm <sup>3</sup> Öl./Surf. mm <sup>2</sup>		Nahgepr. Stand. check - -			
/		Ersatz für/Replacement for: -					
/		wieland		Type		Benennung/Title	
/		Elektrische Verbindungen				GEHAEUSE-OBERTEIL	
Index Datum / Blatt Date / Sheet						Größe/size 25 M 20 schmale Seite Hood with intermediate support M20	
Änderung/Revision							

Weitergabe sowie Vervielfältigung dieses Dokuments, Verwertung und Mitteilung seines Inhalts sind verboten, soweit nicht ausdrücklich gestattet.  
 The reproduction, distribution and utilization of this document as well as the communication of its contents to others without express authorization is prohibited.

763502535001K\_4\_CADW1044\_Schnitt 2006-05-02T11:15:42 1.000