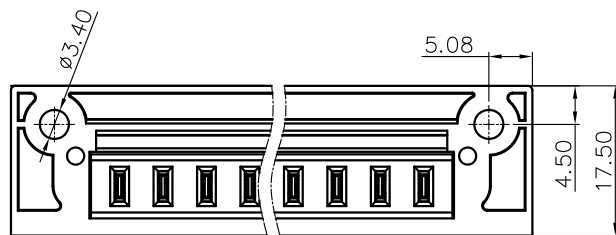


REVISION RECORD				
REV	ECN	DESCRIPTION	DRFT	DATE



NOTES1:

UL Standard

1.Rated voltage/current : 300V / 15A

2.Withstanding voltage : AC1600V/1Min.

IEC Standard

Pollution degree	2
Overtoltage category	III
Rate impulse voltage(KV)	4.0KV
Rate voltage(V)	320V
Rate current(A)	12A

NOTES2:

1.Dimension shall be interpreted per ASME Y14.5-2009

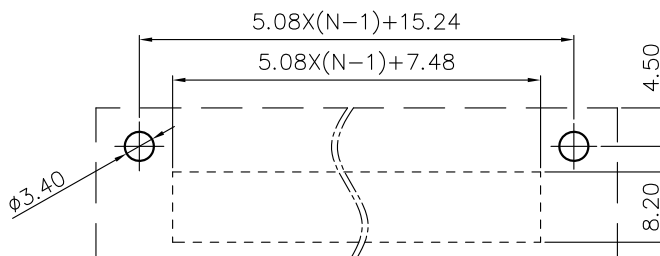
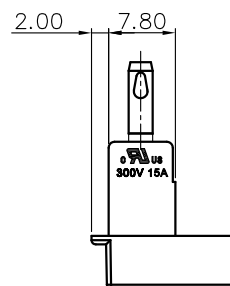
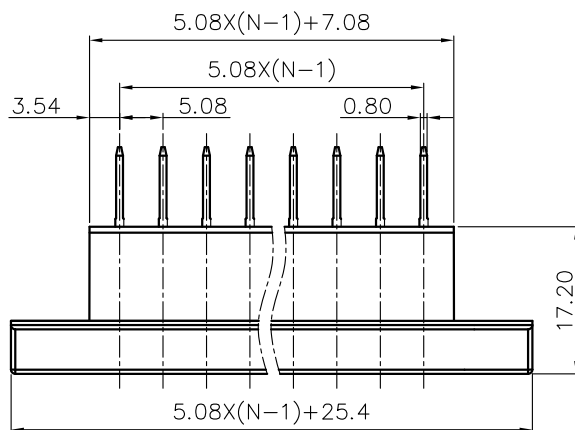
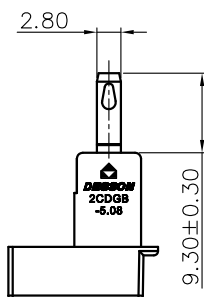
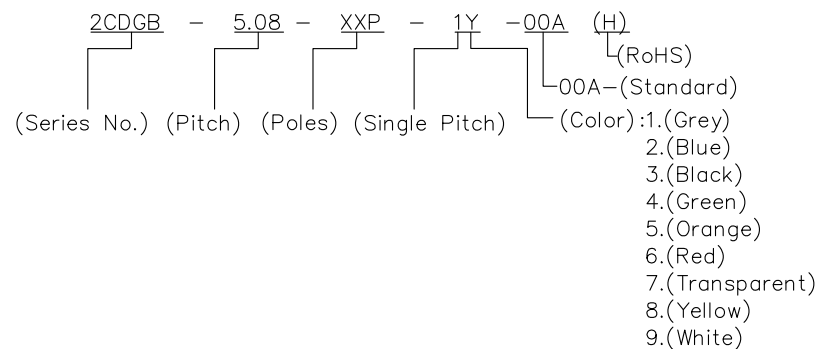
2.Pitch : 5.08mm, Poles : N=02~24P

3.Operating temperature: -40°C~+105°C

4.Undimensioned tolerances:

Pitch range in mm	Nominal dimension range in mm						Tolerance	
	Over 6 TO 10	Over 10 TO 24	Over 30 TO 60	Over 60 TO 100	Over 100 TO 150	Over 150		
±0.15	±0.20	±0.30	±0.30	±0.50	±0.70	±1.00	±1.30	±2*

5.RoHS Compliance



PCB LAYOUT

DETACHED LISTS	PART NO.:	NINGBO DEGSON ELECTRICAL CO., LTD			
	APPD:	NAME: 2CDGB-5.08-XXP-1Y-00A(H)			
	CHKD:	TITLE: CUSTOMER DRAWING			
	DRFT:	DRAWING NO.:		REV	DO
	THIRD ANGLE PROJECTION		MM (INCH)	SHEET	1/1
DO NOT SCALE DRAWING			SCALE	1:1	