

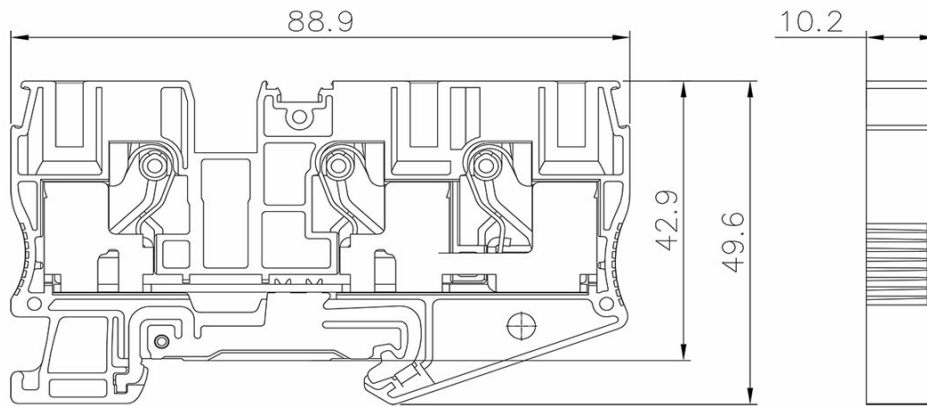
Category: 直插式弹簧接线/Plug-in terminal-plug

Product name: TP10-3-PE

Product Description: 10.2mm CE,UL



## Product Picture



## 基本信息 /Basic Information

产品型号 SUPU ID	TP10-3-PE
宽度 Width	10.2mm
产品层数 Number of levels	1
接线位数 Number of connections	3
接线方式 Connection method	直插弹簧接线
防护等级 Protection Level	IP20

工作温度 Work temperature	-40~+105°C
--------------------------	------------

## IEC数据 /IEC Data

额定电流 Rated Current	/
额定电压 Rated Voltage	/
过压类别 Overvoltage category	III
污染等级 Pollution degree	3
额定冲击电压 Rated impulse voltage	8KV
刚性导线截面积 Conductor cross section solid	0.5-16mm <sup>2</sup>
柔性导线截面积 Conductor cross section flexible	0.5-10mm <sup>2</sup>
柔性导线截面积，带绝缘管套 Conductor cross section flexible,with furrule	0.5-10mm <sup>2</sup>
剥线长度 Stripping length	18mm

## UL数据 /UL Data

使用组别 Use group	B	C	D
额定电流 Rated Current	-	-	-
额定电压 Rated Voltage	-	-	-
额定接线容量 Rated cross section	20-6AWG		

## 材料信息 /Material Data

绝缘材料 Insulation material	PA66
绝缘材料组别 Insulation material group	I
阻燃等级，符合UL94 Flame retardant grade, UL94 compliance	V0

---

导电体材料  
Contact material                      Copper alloy

---

导电体表面镀层  
Surface characteristics                Sn,Plated

---

## 产品认证 /Product Certification

---

认证图标  
Certificate



---

UL证书号  
UL file No.

---

VDE证书号  
VDE No.

---

TUV证书号  
TUV No.

---

Ningbo Supu Electronics Co.,Ltd

Zip code: 315303

Fax: +86 574-63288170

E-mail : askme@supu.cn

Address: No. 625, Kandun Town Street, Cixi  
City, Zhejiang Province

Switchboard: +86 574-63288158

E-mail : askme@supu.cn

Service Hotline: 400-626-6336



Code

---

File date : 2024-09-13 15:03

Product Entry : 2024-04-12

The right to modify data belongs to  
Supu.