

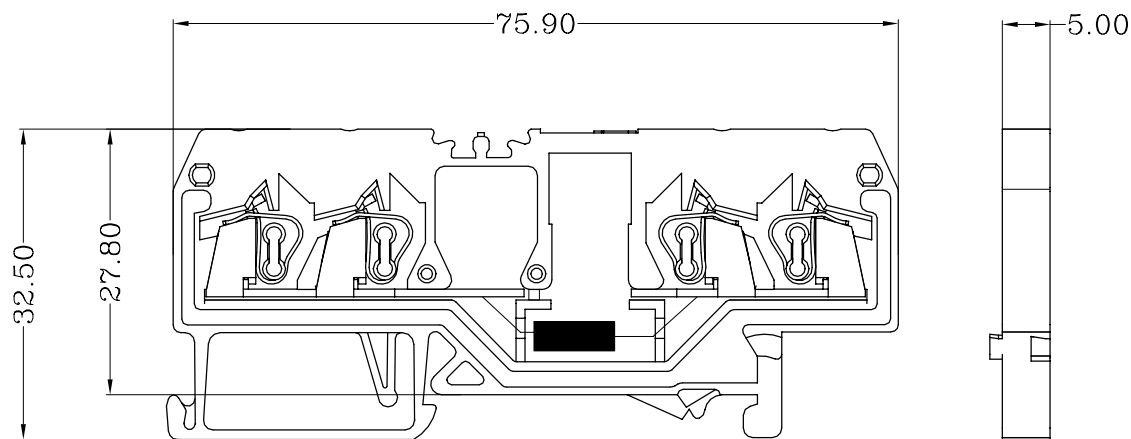
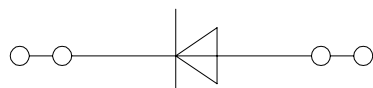


宁波速普电子有限公司

NINGBO SUPU ELECTRONICS.CO.,LTD

产品规格书

Product Specification



IEC 额定数据/IEC Rated data			
接线范围/Wire range	0.2-2.5mm ²		
单股导线/Solid	0.2-2.5mm ²		
软导线/Stranded	0.2-2.5mm ²		
带端头软导线/Stranded with ferrules without plastic sleeve	0.2-1.5mm ²		
带预绝缘端头软导线/Stranded with ferrules with plastic sleeve	0.2-1.5mm ²		
剥线长度/Strip length	8-9mm		
额定电压/Rated voltage	800V		
额定电流/Rated current	1A		
额定脉冲耐受电压/Rated surge voltage	8KV		
污染等级/Pollution degree	3		
过电压类别/Surge voltage category	III		
UL 额定数据/UL Rated data	B	C	D
额定电流/Rated current			
额定电压/Rated voltage			
接线范围/Wire range	24-12AWG		
其他信息/Other information			
塑件/Housing	PA66		
触点材料/Contact	铜合金/Copper alloy		
镀层/Coating	锡/Tin		
阻燃等级/Flame retardant rating	V0		
使用环境温度/Usage ambient temperture	-25°C - +70°C		
储存及运输环境温度/Strrage ambient temperature	-40°C - +85°C		
导轨尺寸/rails Size	SP35X7.5/SP35X15		
认证/Approval			

订货信息 Order Info

订货号 PART NUMBER 颜色 COLOR

225941 灰色 Gray

未标注公差参照GB/T14486

基本尺寸	0-3	>3-6	>6-10	>10-14	>14-18	>18-24	>24-30	>30-40	>40-50	>50-65	>65-80	>80-100	>100-120	>120-140
公差	±0.08	±0.09	±0.10	±0.12	±0.14	±0.16	±0.18	±0.21	±0.24	±0.28	±0.32	±0.36	±0.41	±0.46

	Rev.	01	Name	225941 2X2通道二极管端子
	单位/Unit			mm