

Data sheet

Commercial Art.No.: 96.233.3030.1

Cable assembly RST20i3K1BS 25 30SW

RST20i3 extension cable female - male, 3 pole, assembled with shrinkage tube, application 250V with PE, 20A, cable type H07RN-F, length 3.0m, cross section 2.5mm², coding color black



Commercial Art.No.	96.233.3030.1
EAN	4015573760646
Order Unit	1

Certificates / Approvals



Technical data

General

Rated current	20 A
Rated voltage	250 V
Rated impulse voltage	4 kV
Pollution degree	3
Lockable	self-locking (unlocking by tool)
Color of coding/ contact carrier	black
Marking of poles	L, N, PE
Color of housing inclusive strain relief	black

Model

type of construction	Shrinkage tube
Connection type	Crimp
Nominal cross section conductor	2.5 mm ²
Degree of protection (IP)	IP66/68 (3m;2h)
Cable type	H07RN-F
Cable color	black
Cable diameter min.	11.3 mm
Cable diameter max.	11.9 mm
Version of cable	female - male
Type of cord set	connecting cable
Version cable end 1	female
Version cable end 2	male
Shielded	No

Material

Surface finish	Silver-plated
halogen free	No
Continuous temperature of cable	60 °C
Insulation components continuous temperature	100 °C
Fire load	0 kWh

Dimensions

Total length	3 m
--------------	-----

Classification

ECLASS 11	
ECLASS 8.1	27440604
ETIM 7.0	EC002587
ETIM 6.0	EC002587
ETIM 5.0	EC002587
ETIM 4.0	EC002587

Note

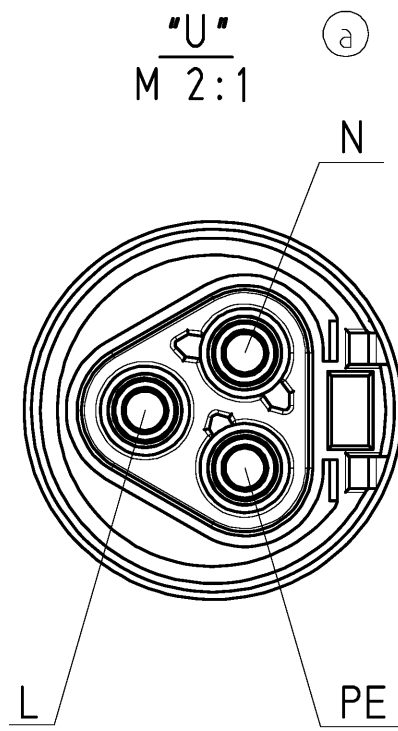
Note	The total length may vary up to + / - 3 %.
------	--

Product compliance

ROHS conformity status	Compliant/Exempted
ROHS exceptions	III-6(c)
REACH-SVHC conformity status	Duty-To-Declare
REACH-SVHC substances	Lead
REACH-SVHC CAS numbers	7439-92-1

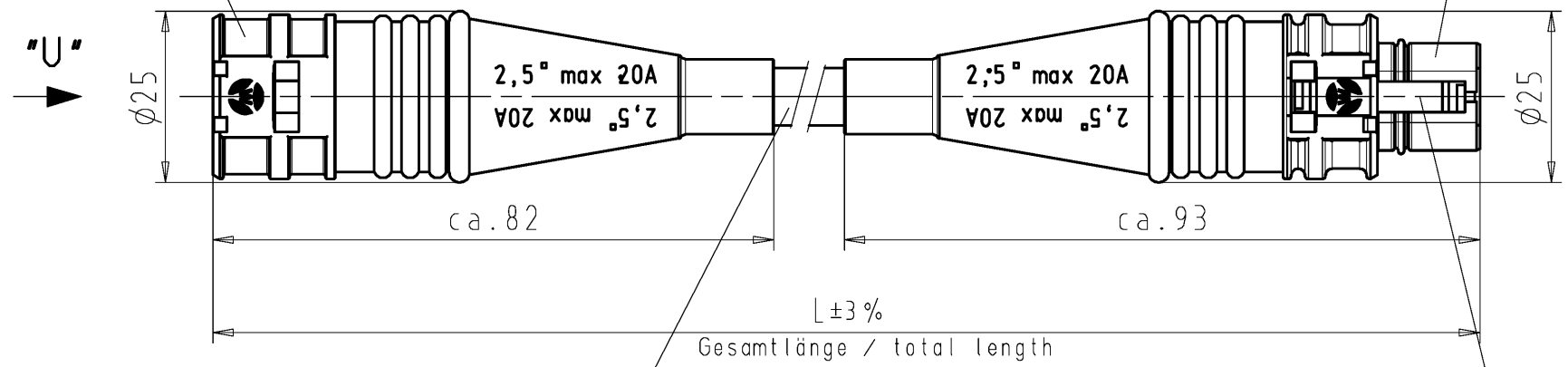
These dimensions will be especially checked at delivery
 Only inspection dimensions
 With /E marked dimensions are only valid for internal use

Diese Maße werden bei Abnahme besonders geprüft
 Ausschließlich Prüfmaße
 Mit /E gekennzeichnete Maße sind nur für interne Zwecke gültig



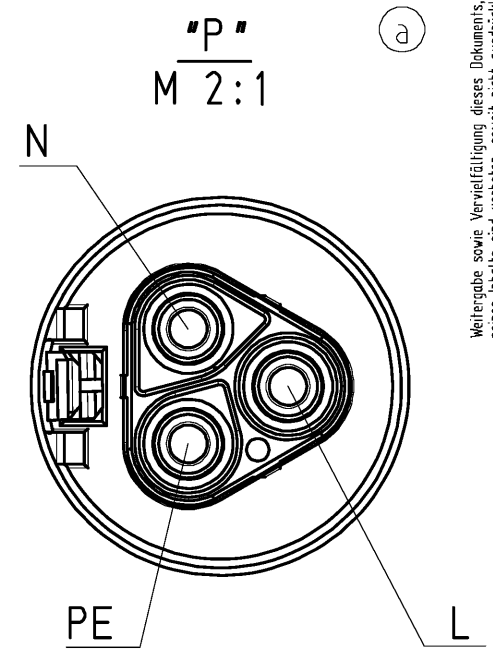
Buchenteil, Farbe .1/.0
female connector, colour .1/.0

Steckerteil, Farbe .1/.0
male connector, colour .1/.0



Kabel H07RN-F 3G2,5 SW
cable H07RN-F 3G2,5 black

Verriegelung, Farbe .1/.3
locking, colour .1/.3



Farbe/colour	
schwarz/black	.1
lichtgrau/light grey	.0
betongrau/concrete grey	.3

Weitere Daten siehe Katalog
further data see catalog

Teile - Nr. <i>part - no.</i>	L	Beispiel (Farbe: schwarz, lichtgrau) <i>exampel (colour: black, light grey)</i>	Typ <i>type</i>
96.233.XX30.1	XX in dm-Schritten	96.233.1030.1 = 10dm/L= 1000mm	RST2013K1BS 25 10SW
96.233.XX30.0	XX in dm-steps	96.233.1030.0	RST2013K1BS 25 10GL
U6.233.XX30.1	XX in m-Schritten	U6.233.1230.1 = 12 m/L=12000mm	RST2013K1BS 25 X12SW
U6.233.XX30.0	XX in m-steps	U6.233.1230.0	RST2013K1BS 25 X12GL

Tolerierung Size ISO 14405(☐)/Tolerance system Size ISO 14405(☐).
 (This ISO-standard describes the envelope principle. According to the envelope principle the deviations of form and parallelism are limited by the size tolerances).

ja/yes Stoffverbots- und Deklarationsliste nach WN 5020.010 ist einzuhalten.
 Conformity with Wieland document WN 5020.010 e (list of prohibited / declarable hazardous substances) to be declared!

Freitoleranz nach General tolerance	CAD - Zeichnung, keine manuellen Änderungen CAD - drawing, no manual modifications allowed	1.Verwendung: First Use:	Blatt: 1 von 1 Sheet: of 1
/	Werkstoff/Material	2007 Tag/Date Name	Zeichnung Nr./Drawing No. Index T 96.233.0430.0 01K a
/	Maßstab/Scale	gezeichnet/drawn 08.08. Schmitt J.	
/	Normgepr. Stand./check	geprüft/checked - -	
/	Vol. mm ³ Of l./Surf. mm ²	Ersatz für/Replacement for: -	Maße in mm/Dimensions are in mm
a	21.10.2014/ Datum / Blatt Date / Sheet	Type Benennung/Title KONFEKT_LEITUNG	
Index	www.wieland-electric.com		Buchse-Stecker, Crimpausführung K1 250V, 2,5qmm pre-assembled cable, male-female, crimpversion K1
Änderung/Revision			

Weitergabe sowie Vervielfältigung dieses Dokuments, Verwertung und Mitteilung seines Inhalts sind verboten, soweit nicht ausdrücklich gestattet.
 The reproduction, distribution and utilization of this document as well as the communication of its contents to others without express authorization is prohibited.