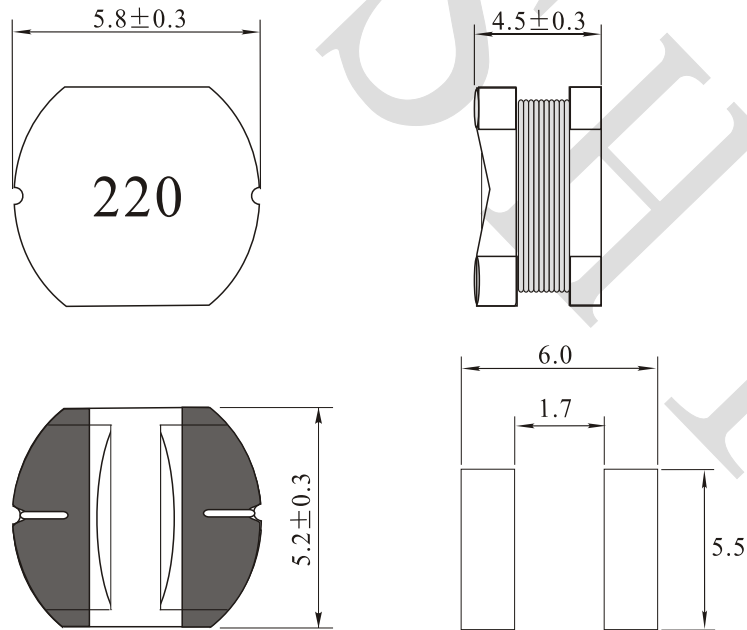
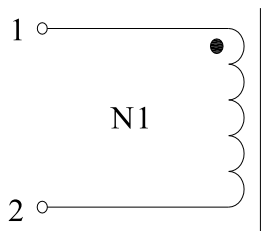


Rev.	Description	Date
A0	New release	2022.12.05

1. PHYSICAL CHARACTERISTICS (mm)



2. ELECTRONICAL SCHEMATIC



3. ELECTRONICAL SPECIFICATIONS

- L: 22uH ± 15% @ 100KHz, 0.1V
- DCR: 190mΩ Max
- Q: 30Ref@2.52MHz
- Isat: 1.4A Max (Inductance drop 10% Max)
- Irms: 1.1A Max (Temp. rise 40°C Max)
- SRF: 16MHz Min
- Operating temperature: -40°C to +125°C
(Including temp. rise 40°C)
- Storage temperature: -40°C to +85°C

Test Instrument:

- L: HP4284A
- RDC: HM2540

Note:

1. Solderability: leads shall meet MIL-STD-202, Method 208D for solderability.
2. Flammability: UL94V-0
3. ASTM oxygen index: >28%

NAME:	Power Inductors		
CUSTOMER P/N:	SDR0604-220YL	DATE:	2022-12-05
SHINHOM P/N:	SDR0504-220Y-1.1A	REV: A0	PAGE
DRAWN BY	CHECKED BY	APPROVE BY	



SHINHOM
SHAANXISHINHOM ENTERPRISE CO LTD

The Document property belong to SHINHOM & is not allowed to be duplicated without authorization