

Data sheet

Commercial Art.No.: 96.034.6053.1

Device connector RST20i3S S1 M90V SW

RST20i3 device connector (90° angled) M20, 3 pole, male, screw connection, modular, application 250V with PE, 20A, coding color black, color of housing black



Commercial Art.No.	96.034.6053.1
EAN	4015573858909
Order Unit	1

Certificates / Approvals



LR RINA



Technical data

General

Rated current	20 A
Rated voltage	250 V
Pollution degree	3
Rated impulse voltage	4 kV
Lockable	self-locking (unlocking by tool)
Color of coding/ contact carrier	black
Marking of poles	L, N, PE
Color of separate adapter (if present)	black

Connection Data

Connection cross section solid mm ² max.	6 mm ²
Connection cross section solid mm ² min.	0.75 mm ²
Connection cross section solid AWG min.	16 AWG
Connection cross section solid AWG max.	10 AWG
Connection cross section fine stranded mm ² max.	6 mm ²
Connection cross section fine stranded mm ² min.	0.75 mm ²
Terminations per pole	1
Wire strip length	8 mm
Connection cross section stranded AWG min.	16 AWG
Connection cross section stranded AWG max.	10 AWG

Model

Model	male
Connection type	screw connection

Connecting thread metric	M20
Angle of plug	Square
Inclination	90 °
Degree of protection (IP)	IP66/68 (3m;2h) /IP69
Thickness of housings (electrical device) 2	0.5 mm
Thickness of housings (electrical device)	8 mm

Material

Housing material	Polyamide
halogen free	yes
Contact material	CuZn
Fire load	0.217 kWh
Insulation components continuous temperature	100 °C
Surface finish	Silver-plated

Dimensions

Length	70.5 mm
Width	34.6 mm
Height	54.3 mm

Classification

ECLASS 11	
ECLASS 8.1	27440602
ETIM 7.0	EC002566
ETIM 6.0	EC002566
ETIM 5.0	EC002566
ETIM 4.0	EC002566

Note

Note	RST® terminals with screw clamping allow the connection of conductors without special preparation (without ferrules) according to EN 60999-1.; Positioning realised with flattened thread
------	---

Product compliance

ROHS conformity status	Compliant/Exempted
ROHS exceptions	III-6(c)
REACH-SVHC conformity status	Duty-To-Declare
REACH-SVHC substances	Lead
REACH-SVHC CAS numbers	7439-92-1

Accessories

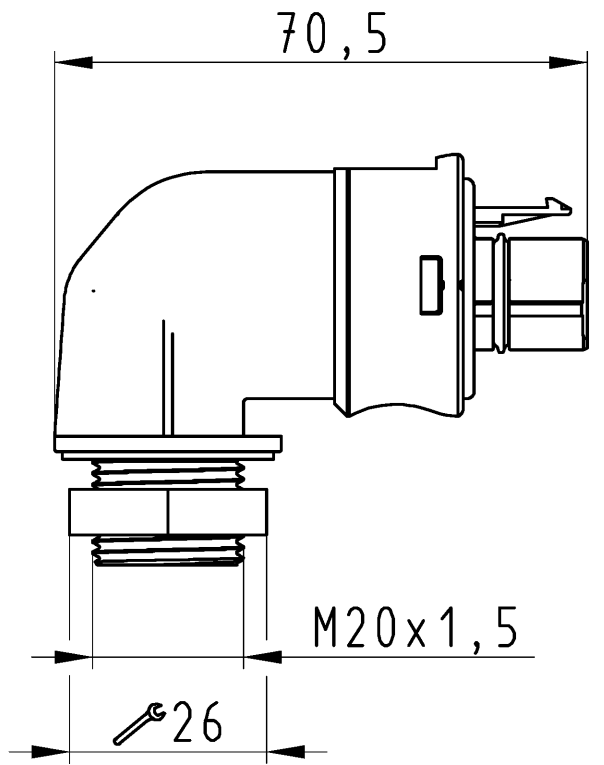
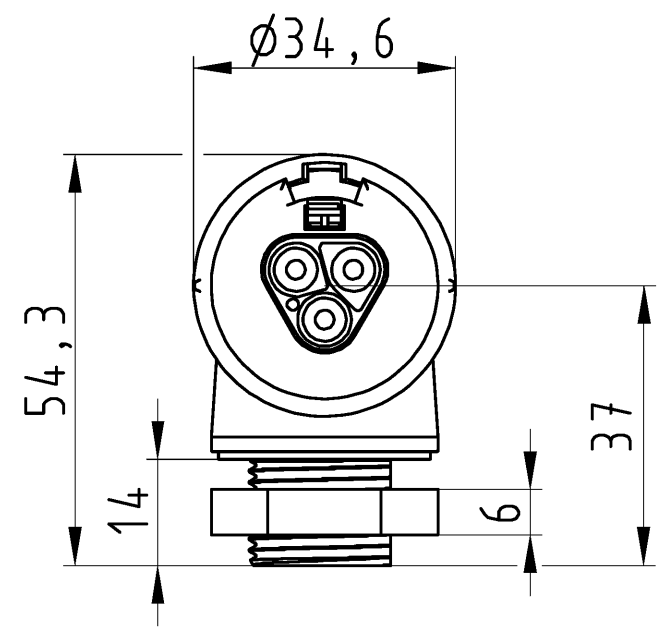
Commercial Art.No.:	Article-type description:	Description:
05.564.4453.1	Cover for male connector SW	RST20i3/2 cover piece, for covering unused male connectors, color black
99.416.6205.2	Cover for male connector SW	RST20i3/2 cover piece, for covering unused male connectors, with fastening belt, color black

Fits with

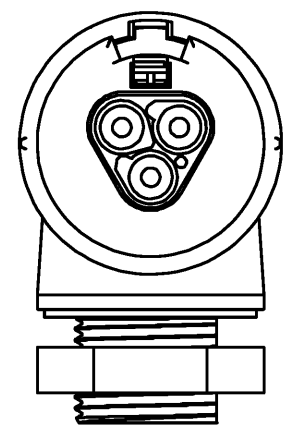
Commercial Art.No.:	Article-type description:	Description:
--------------------------------	----------------------------------	---------------------

96.031.4053.1	Connector RST20i3S B1 ZR1 SW	RST20i3 connector, 3 pole, female, screw connection, application 250V with PE, 20A, for cable diameters 6-10mm, coding color black, color of housing black
96.031.4153.1	Connector RST20i3S B1 ZR2 SW	RST20i3 connector, 3 pole, female, screw connection, application 250V with PE, 20A, for cable diameters 10-14mm, coding color black, color of housing black
96.031.4553.1	Connector RST20i3S B1 ZR3 SW	RST20i3 connector, 3 pole, female, screw connection, application 250V with PE, 20A, for cable diameters 14-18mm, coding color black, color of housing black
96.033.4053.1	Connector RST20i3S B1 YR1 SW	RST20i3 connector (90° angled), 3 pole, female, screw connection, application 250V with PE, 20A, for cable diameters 6-10mm, coding color black, color of housing black
96.033.4153.1	Connector RST20i3S B1 YR2 SW	RST20i3 connector (90° angled), 3 pole, female, screw connection, application 250V with PE, 20A, for cable diameters 10-14mm, coding color black, color of housing black
96.031.4253.1	Connector RST20i3S B1 ZRX SW	RST20i3 splitter connector, 3 pole, female, screw connection, application 250V with PE, 20A, for cable diameters 6-10mm, coding color black, color of housing black
96.031.4353.1	Connector RST20i3S B1 ZRY SW	RST20i3 splitter connector, 3 pole, female, screw connection, application 250V with PE, 20A, for cable diameters 10-14mm, coding color black, color of housing black

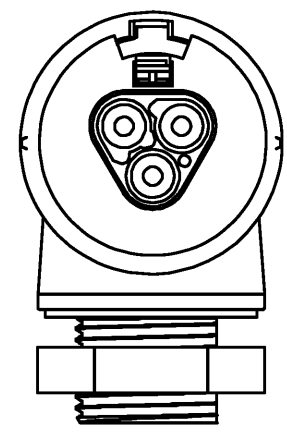
96.034.6053.0/1



96.034.6054.3

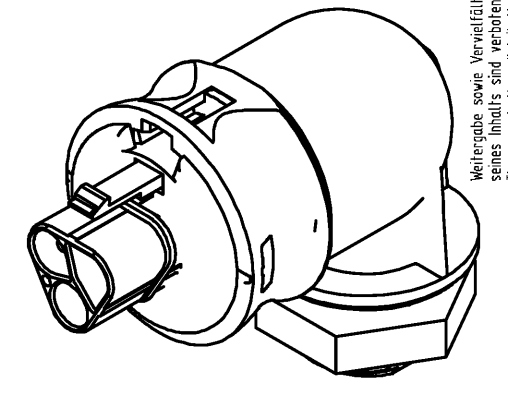
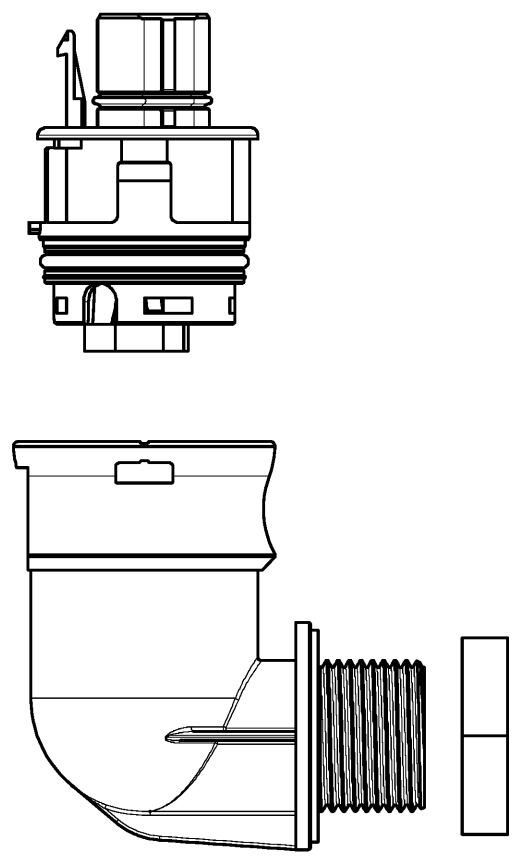


96.034.6055.7



Auslieferungszustand

delivery status



Verpackungseinheit: je 100 Stück
packaging unit: per 100

96.034.6055.7	RST2013S S1 M90VH GN02	grün /green
96.034.6054.3	RST2013S S1 M90V BG03	betongrau /concretegrey
96.034.6053.1	RST2013S S1 M90V SW	schwarz /black
96.034.6053.0	RST2013S S1 M90V GL	lichtgrau /lightgrey
Bestellnummer /Order number	Typ /Type	Farbe /color

Weitere Daten siehe KATALOG oder eKatalog.
Additional data see CATALOG or eCatalog. www.wieland-electric.com
eshop.wieland-electric.com

These dimensions will be especially checked at delivery
 Only inspection dimensions
 With /E marked dimensions are only valid for internal use
 Diese Maße werden bei Abnahme besonders geprüft
 Ausschließlich Prüfmaße
 Mit /E gekennzeichnete Maße sind nur für interne Zwecke gültig

Öffnungsbild siehe 96.031.2053.1 14K
opening dimension see 96.031.2053.1 14K

Tolerierung Size ISO 14405(®)/Tolerance system Size ISO 14405(®). (This ISO-standard describes the envelope principle. According to the envelope principle the deviations of form and parallelism are limited by the size tolerances).		ja/yes <input checked="" type="checkbox"/> Stoffverbots- und Deklarationsliste nach WN 5020.010 ist einzuhalten. Conformity with Wieland document WN 5020.010 e (list of prohibited / declarable hazardous substances) to be declared!	
Freitoleranz nach General tolerance	CAD - Zeichnung, keine manuellen Änderungen CAD - drawing, no manual modifications allowed	1.Verwendung: First Use: -	Blatt: 1 von 1 Sheet: of 1
	Werkstoff/Material	2015 Tag/Date	Name
		gezeichnet drawn	07.08. HoffmannT
	Maßstab/Scale	geprüft checked	-
	1:1	Normgepr. Stand. check	-
	Vol. mm ³ Of l./Surf. mm ²	Ersatz für/Replacement for: -	
		Type	Benennung/Title
			STECKERTEIL
			male connector 90°
Index	Datum / Blatt Date / Sheet	www.wieland-electric.com	
Änderung/Revision			

Weitergabe sowie Vervielfältigung dieses Dokuments, Verwertung und Mitteilung
 seines Inhalts sind verboten, soweit nicht ausdrücklich gestattet.
 The reproduction, distribution and utilization of this document as well as the
 communication of its contents to others without express authorization is prohibited.