

## Data sheet

Commercial Art.No.: 92.061.8658.1

Device connector GST18I6F B2 R V SWPB

gesis® Device connectors, snap-in panel mount, GST18i6, 6 pole, central locking, female, spring clamp connection, 250 V, 20 A, material thickness 0,5 - 2,5 mm, colour of coding: black/pastellblue



Commercial Art.No.	92.061.8658.1
EAN	4049088293139
Order Unit	1

Certificates / Approvals



## Technical data

### General

Rated current	20 A
Rated voltage	250 V
Pollution degree	2
Mechanical coding	yes
Rated impulse voltage	4 kV
Lockable	self-locking (unlocking by tool)
Color of coding/ contact carrier	pastel blue/black
Marking of poles	3, 2, 1, N, PE, L

### Connection Data

Connection cross section solid mm <sup>2</sup> max.	2.5 mm <sup>2</sup>
Connection cross section solid mm <sup>2</sup> min.	0.5 mm <sup>2</sup>
Connection cross section fine stranded mm <sup>2</sup> max.	1.5 mm <sup>2</sup>
Connection cross section fine stranded mm <sup>2</sup> min.	0.5 mm <sup>2</sup>
Terminations per pole	2
Wire strip length	9 mm

### Model

Model	female
Connection type	spring clamp connection
Angle of plug	straight
Degree of protection (IP)	IP20
Remark to type of connection	Fine stranded and stranded conductors require cable end sleeve
Thickness of housings (electrical device) 2	0.5 mm
Thickness of housings (electrical device)	2.5 mm
built-in component	snap-in

### Material

Housing material	Polyamide
halogen free	yes
Contact material	CuZn
Fire load	0.119 kWh
Insulation components continuous temperature	100 °C
Surface finish	Tin-plated

#### Dimensions

Length	38 mm
Width	61 mm
Height	18.5 mm

#### Classification

ECLASS 11	
ECLASS 8.1	27440602
ETIM 7.0	EC002566
ETIM 6.0	EC002566
ETIM 5.0	EC002566
ETIM 4.0	EC002566

#### Product compliance

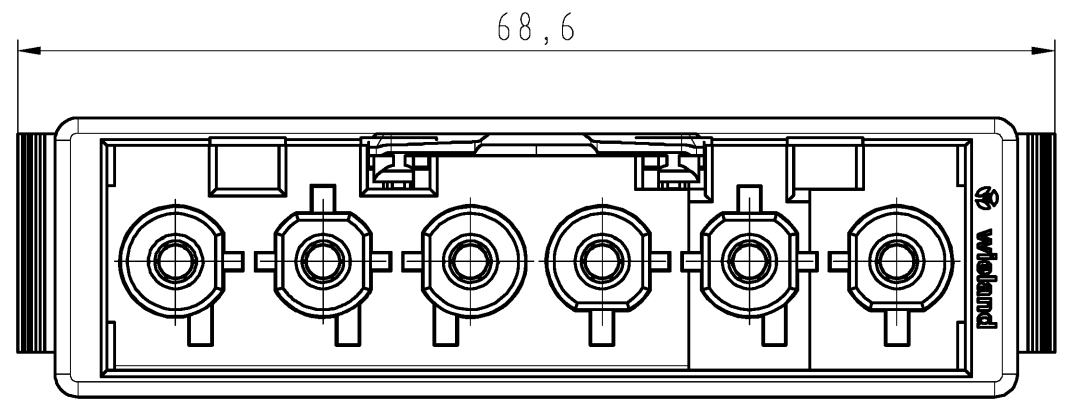
ROHS conformity status	Compliant/Exempted
ROHS exceptions	III-6(c)
REACH-SVHC conformity status	Duty-To-Declare
REACH-SVHC substances	Lead
REACH-SVHC CAS numbers	7439-92-1

#### Accessories

Commercial Art.No.:	Article-type description:	Description:
05.595.1453.0	Lock (G)ST18V SW	Locking device for snap-in panel mount GST18i3-5, retrofit part, black
05.595.1453.2	Lock (G)ST18V WS	Locking device for snap-in panel mount GST18i3-5, retrofit part, white
05.564.5353.0	cover cap GST18i3/4/5 SW	Cover piece 12 pole black for female parts GST18i3-6
05.564.5353.2	cover cap GST18i3/4/5 WS	Cover piece 12 pole white for female parts GST18i3-6

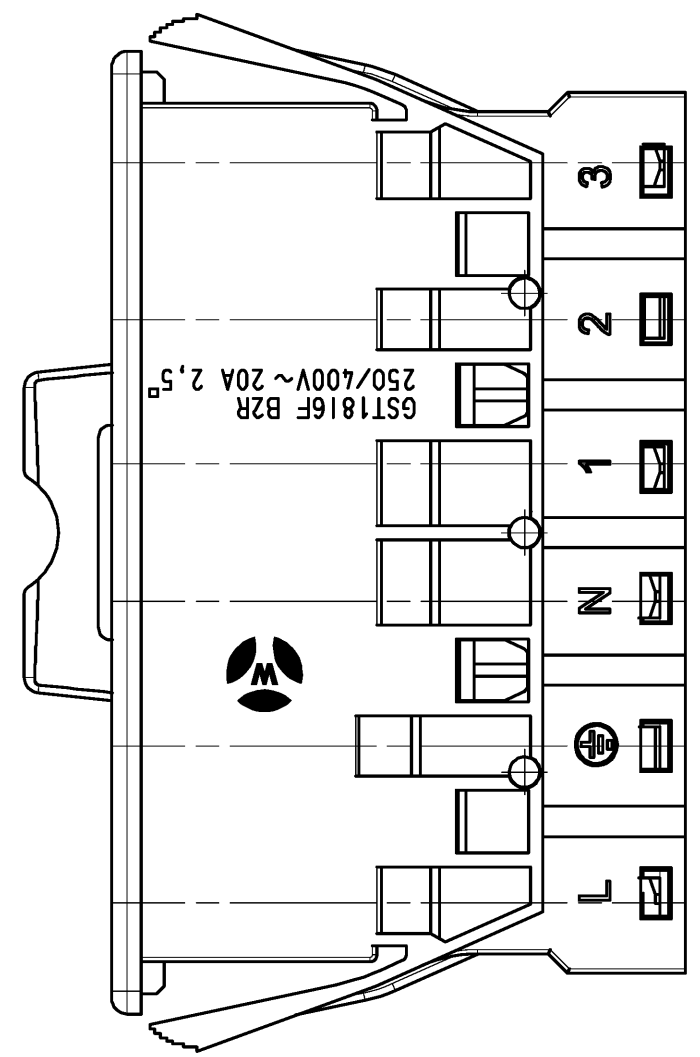
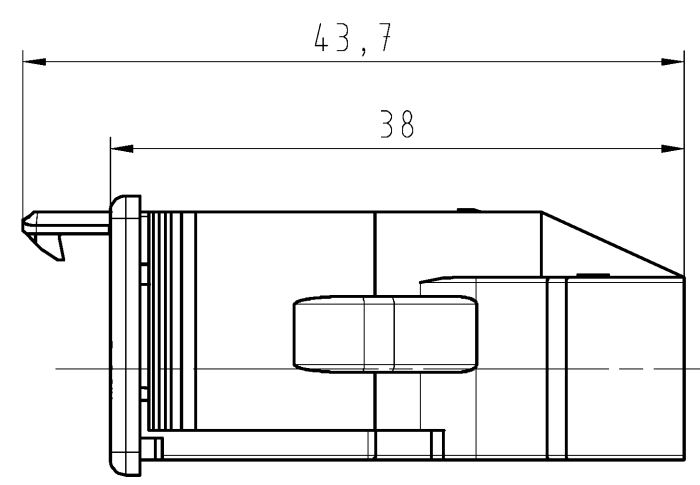
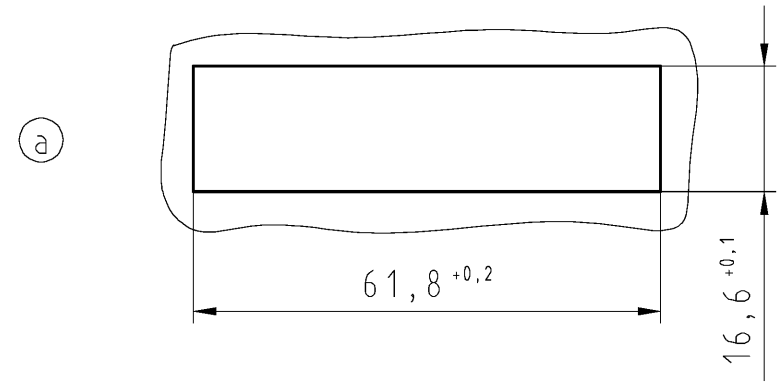
These dimensions will be especially checked at delivery  
Only inspection dimensions  
With /E marked dimensions are only valid for internal use

Diese Maße werden bei Abnahme besonders geprüft  
Ausschließlich Prüfmaße  
Mit /E gekennzeichnete Maße sind nur für interne Zwecke gültig

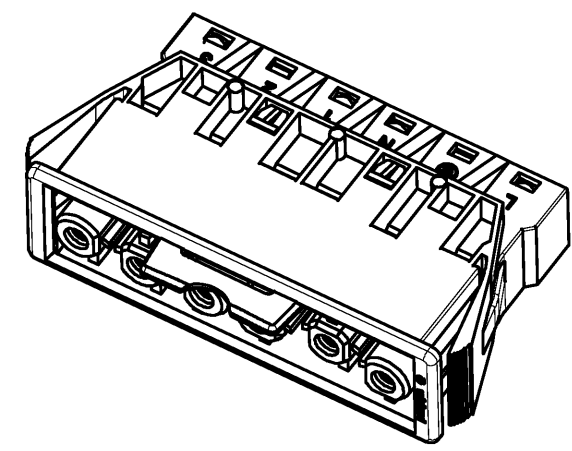


**Blechausschnitt  
sheet cutout**

Blechdicke/  
sheet thickness:  
0,5 - 2,5mm



M/scale 1:1



Tolerierung Size ISO 14405 (E)/Tolerance system Size ISO 14405 (E). (This ISO-standard describes the envelope principle. According to the envelope principle the deviations of form and parallelism are limited by the size tolerances).				ja/yes <input checked="" type="checkbox"/> Stoffverbots- und Deklarationsliste nach WN 5020.010 ist einzuhalten. Conformity with Wieland document WN 5020.010 e (list of prohibited / declarable hazardous substances) to be declared!			
Freitoleranz nach General tolerance		CAD - Zeichnung, keine manuellen Änderungen CAD - drawing, no manual modifications allowed		1.Verwendung: - First Use:		Blatt: 1 von 1 Sheet: of	
/		Werkstoff/Material Farbe/colour: schwarz/black türkisblau/ turquoise blue		2014 Tag/Date Name		Zeichnung Nr./Drawing No.	
/		Maßstab/Scale 2:1		gezeichnet drawn 07.11. Ritter		92.061.8658.1 01K a	
/		Vol. mm³ Ofl./Surf. mm²		geprüft checked -		Index	
/		Ersatz für/Replacement for: -		Normgepr. Stand. check -		Maße in mm/Dimensions are in mm	
/		www.wieland-electric.com		Type		Benennung/Title	
a 29.04.2015/ Datum / Blatt Date / Sheet		www.wieland-electric.com		GERAETEANSCHLUSS_BU		device connection female 250/400V AC 20A 2,5qmm	
Änderung/Revision							

Type: GST1816F B2 R V SWPB

Weitergabe sowie Vervielfältigung dieses Dokuments, Verwertung und Mitteilung seines Inhalts sind verboten, soweit nicht ausdrücklich gestattet.  
The reproduction, distribution and utilization of this document as well as the communication of its contents to others without express authorization is prohibited.