



Disea Electronics Co., LTD

E-mail:sales@diseaelec.com URL:www.diseaelec.com

ADD: 4F,#3 Building, TianFuAn Industrial park, LeZhuJiao,
ZhouShi Road,XiXiang Town, BaoAn District, ShenZhen
City, GuangDong Province , China

PRODUCT SPECIFICATIONS

For Customer: _____

: APPROVAL FOR SPECIFICATION

Customer Model No. _____

: APPROVAL FOR SAMPLE

Module No.: ZW-T070TIS-01

Date : 2020-03-20

Table of Contents

No.	Item	Page
1	Cover Sheet(Table of Contents)	P1
2	Revision Record	P2
3	General Specifications	P3
4	Outline Drawing	P4
5	Absolute Maximum Ratings	P5
6	Electrical Specifications	P6-P12
7	Optical Characteristics	P13-P16
8	Reliability Test Items and Criteria	P17
9	Precautions for Use of LCD Modules	P18-P19

For Customer's Acceptance:

Approved By	Comment

PREPARED	CHECKED	VERIFIED BY QA DEPT	VERIFIED BY R&D DEPT
LC			



Disea Electronics Co., LTD

2. Revision Record

Date	Rev.No.	Page	Revision Items	Prepared
2020-03-20	V0		The first release	LC



Disea Electronics Co., LTD

Item	Feature	Spec
Display Spec.	Size	7
	Resolution	1280(RGB) x 800
	Technology Type	a-Si
	Pixel Pitch(mm)	0.117 x 0.117
	Pixel Configuration	R.G.B. Vertical Stripe
	Display Mode	SFT with Normally Black
	Surface Treatment(Up Polarizer)	HC
Mechanical Characteristics	LCM (W x H x D) (mm)	161.0×107.0×3.35(Typ)
	Active Area(W x H) (mm)	149.76 × 93.60
	LED Numbers	21 LEDs
	Matching Connector Type	Molex 54132-4062
	Weight(g)	120 (Typ)
	Operation temperature	-20~70°C
	Storage temperature	-30~80°C
Electrical Characteristics	Interface	LVDS 40 Pin
	Color Depth	16.7M
	Driver IC	3*ST5821C and 1*ST5084C

Note 1: Requirements on Environmental Protection: Q/S0002



Disea Electronics Co., LTD

2.1 TFT CN1 pin assignment

Matching Connector type: Molex 54132-4062

Pin No.	Symbol	I/O	function	Remarks
1	NC	--	No connection	
2	VDD	P	Power Voltage for digital circuit	
3	VDD	P	Power Voltage for digital circuit	
4	NC	--	No connection	
5	NC	--	No connection	
6	NC	--	No connection	
7	GND	P	Ground	
8	RXIN0-	I	- LVDS differential data input	
9	RXIN0+	I	+LVDS differential data input	
10	GND	P	Ground	
11	RXIN1-	I	-LVDS differential data input	
12	RXIN1+	I	+LVDS differential data input	
13	GND	P	Ground	
14	RXIN2-	I	-LVDS differential data input	
15	RXIN2+	I	+LVDS differential data input	
16	GND	P	Ground	
17	RXCLKIN-	I	-LVDS differential clock input	
18	RXCLKIN+	I	+LVDS differential clock input	
19	GND	P	Ground	
20	RXIN3-	I	-LVDS differential data input	
21	RXIN3+	I	+LVDS differential data input	
22	GND	P	Ground	
23	NC	--	No connection	
24	NC	--	No connection	
25	GND	P	Ground	
26	NC	--	No connection	
27	NC	--	No connection	
28	NC	--	No connection	
29	AVDD	P	Power for Analog Circuit	
30	GND	P	Ground	
31	LED-	P	LED Cathode	
32	LED-	P	LED Cathode	
33	NC	--	No connection	
34	NC	--	No connection	
35	VGL	P	Gate Off Voltage	
36	NC	--	No connection	
37	NC	--	No connection	
38	VGH	P	Gate On Voltage	



Disea Electronics Co., LTD

39	LED+	P	LED Anode	
40	LED+	P	LED Anode	

Note1: I/O definition.

I---Input, O---Output, P--- Power/Ground, N--- No connection



Disea Electronics Co., LTD

3. Absolute Maximum Ratings

GND=0V, Ta = 25°C

Item	Symbol	Min	Max	Unit	Remark
Power Voltage	VDD	-0.5	5.0	V	
	AVDD	-0.5	14.85	V	
	VGH	-0.3	20.0	V	
	VGL	-20.0	0.3	V	
Backlight Forward Current	I _{LED}	-	25	mA	For each LED
Operating Temperature	T _{OPR}	-20	70	°C	
Storage Temperature	T _{STG}	-30	80	°C	

Table 3.1 Absolute maximum rating



Disea Electronics Co., LTD

4 Electrical Characteristics

4.1 Driving TFT LCD Panel

4.1.1 Voltage characteristic

Ta = 25°C

Item	Symbol	Min	Typ	Max	Unit	Remark
Digital Supply Voltage	VDD	3.0	3.3	3.6	V	
Analog Supply Voltage	AVDD	10.5	11	11.5	V	
Gate On Voltage	VGH	17.5	18.0	18.5	V	
Gate Off Voltage	VGL	-7.1	-6.8	-6.5	V	
Common Electrode Driving Signal	VCOM	3.45	3.55	3.65	V	With the VR Knob

Table 4.1 LCD module electrical characteristics(voltage)

4.1.2 current characteristic

Item	Min	Typ	Max	Unit	Remark
Ivdd	42.4	53	63.6	mA	
Iavdd	33.2	41.5	49.8	mA	
Ivgh	0.326	0.408	0.490	mA	
Ivgl	0.326	0.408	0.490	mA	
Ivcom	0.004	0.005	0.006	mA	

Nites: test in the white picture.

Table 4.1 LCD module electrical characteristics(current)



Disea Electronics Co., LTD

4.2 TFT Driving Backlight

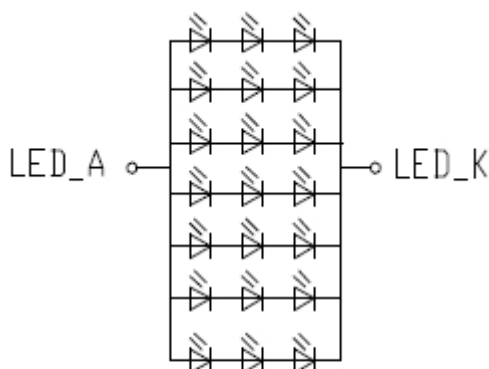
Item	Symbol	Condition	Min	Typ	Max	Unit	Remark
Forward Voltage	VLED	$I_f=140\text{mA}$	--	9.3	10.2	V	Note 1
Forward Current	I_f	-	-	140	-	mA	
Backlight Power Consumption	WBL	$I_f=140\text{mA}$	--	1302	1428	mW	
Life Time	-	$I_f=140\text{mA}$	--	30,000-	-	Hrs	Note 2

Table 4.2 LED backlight characteristics

Note 1: I_f is defined for one channel LED. There are total three LED channels in back light unit.

Under LCM operating, the stable forward current should be inputted.

Note 2: If LED is driven by high current, high ambient temperature & humidity condition. The life time of LED will be reduced. Operating life means brightness goes down to 50% initial brightness. Typical operating life time is estimated data.



LED circuit
 $V_f=9.3\text{V}$, $I_f=140\text{mA}$

Figure 4.1 LED connection of backlight



Disea Electronics Co., LTD

4.3 TFT Block Diagram

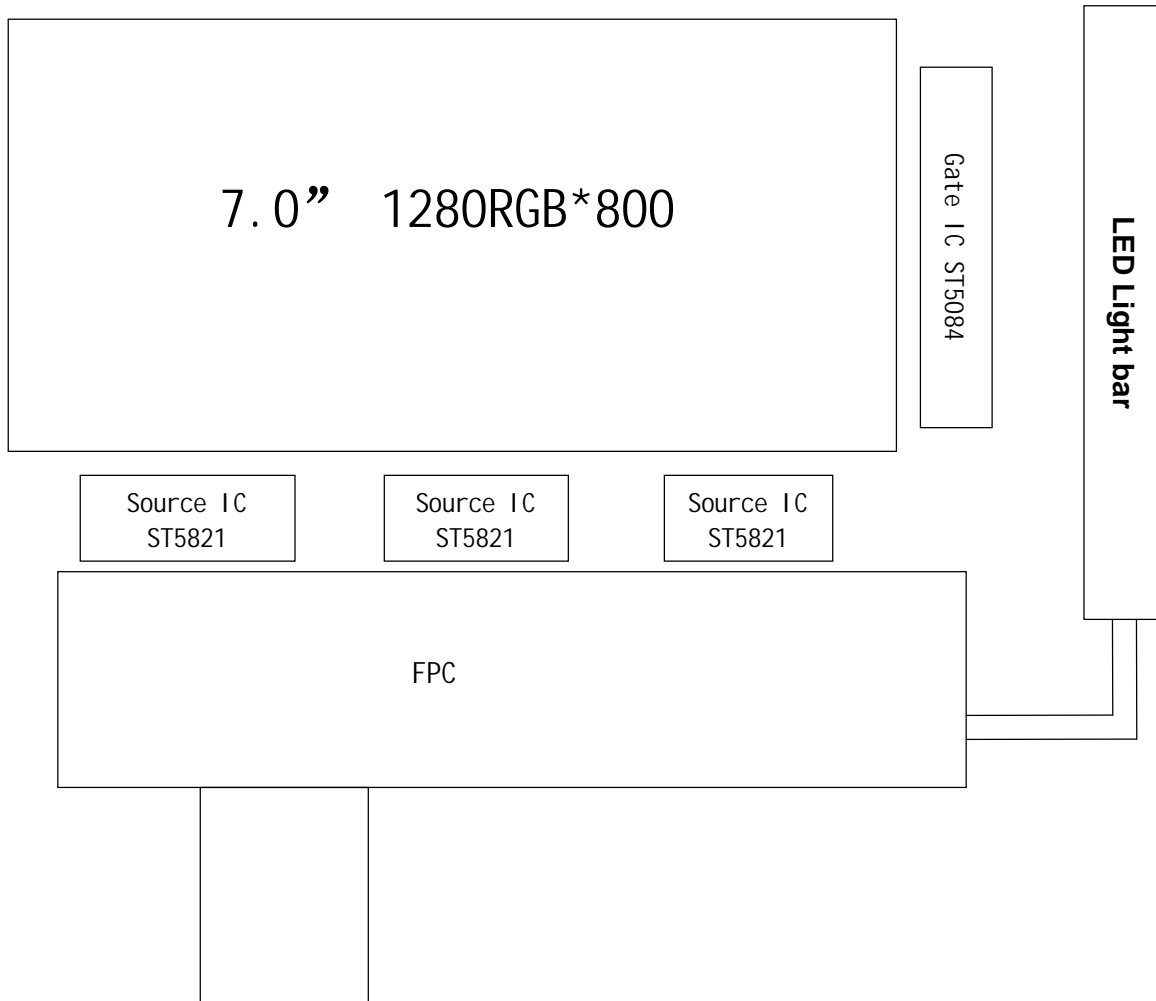


Figure 4.3 TFT Block Diagram



Disea Electronics Co., LTD

5. Timing Chart

5.1 AC Electrical Characteristics

Parameter	Symbol	Min	Typ	Max	Unit	Conditions
Clock Frequency	R_{xFCLK}	20	-	80	MHz	
Input data skew margin	T_{RSKM}	500	-	-	ps	$ V_{ID} =400mV$, $R_{xVCM}=1.2V$ $R_{xFCLK}=80MHz$
Clock high time	T_{LVCH}	-	4/7	-	R_{xFCLK}	
Clock low time	T_{LVCL}	-	3/7	-	R_{xFCLK}	
PLL wake-up time	T_{enPLL}	-	-	150	us	

Table 5.1 AC Electrical Characteristics

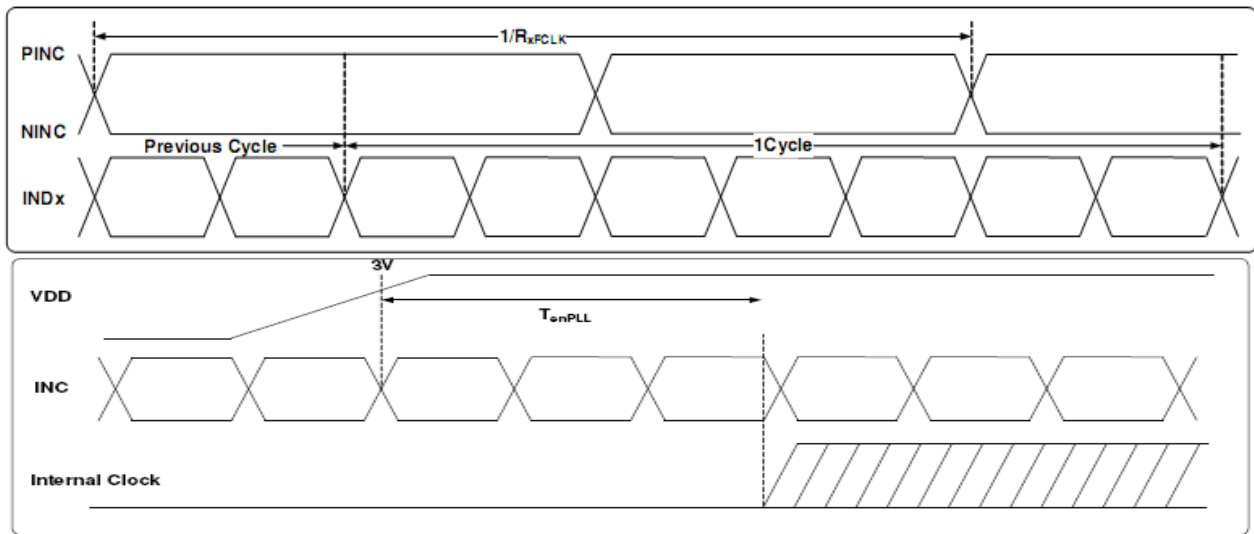


Figure 5.1 AC Electrical Characteristics



Disea Electronics Co., LTD

5.2 DC Electrical Characteristics

VGH=18V, VGL=-6.8V, VDD=3.3V, GND=0V, Ta=25°C

Parameter	Symbol	Min	Typ	Max	Unit	Remark
Differential input high Threshold voltage	R_{XVTH}	-	-	+0.1	V	
Differential input Low Threshold voltage	R_{XVTL}	-0.1	-	-	V	
Input voltage range	R_{XVIN}	0	-	VDD-1.0	V	
Differential input common Mode voltage	R_{XVCM}	$ V_{ID} /2$	-	$2.4 \cdot V_{ID} /2$	V	
Differential input voltage	$ V_{ID} $	0.2	--	0.6	V	
Differential input leakage Current	$R_{V_{XIZ}}$	-10	--	+10	uA	
LVDS Digital Operating Current	Iddlvs	-	40	50	mA	Fclk=65MHz, VDD=3.3V
LVDS Digital Stand-by Current	Istlvs	-	10	50	uA	Clock & all functions are stopped

Table 5.2 DC Electrical Characteristics

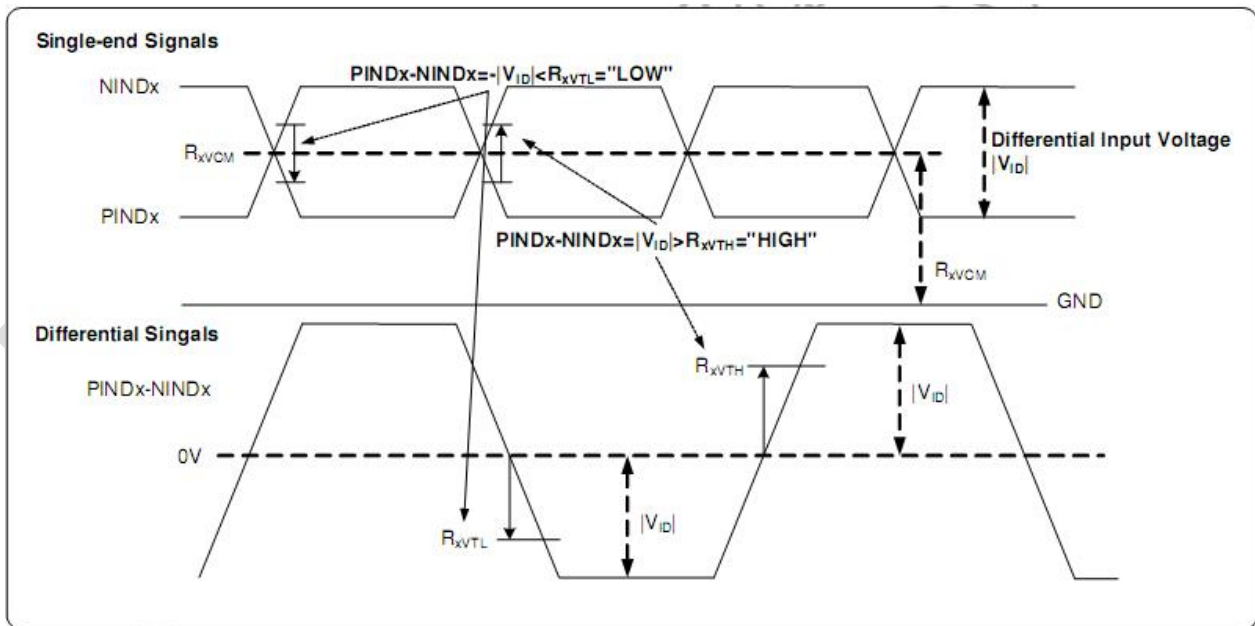


Figure 5.2 DC Electrical Characteristics



Disea Electronics Co., LTD

5.3 Input timing

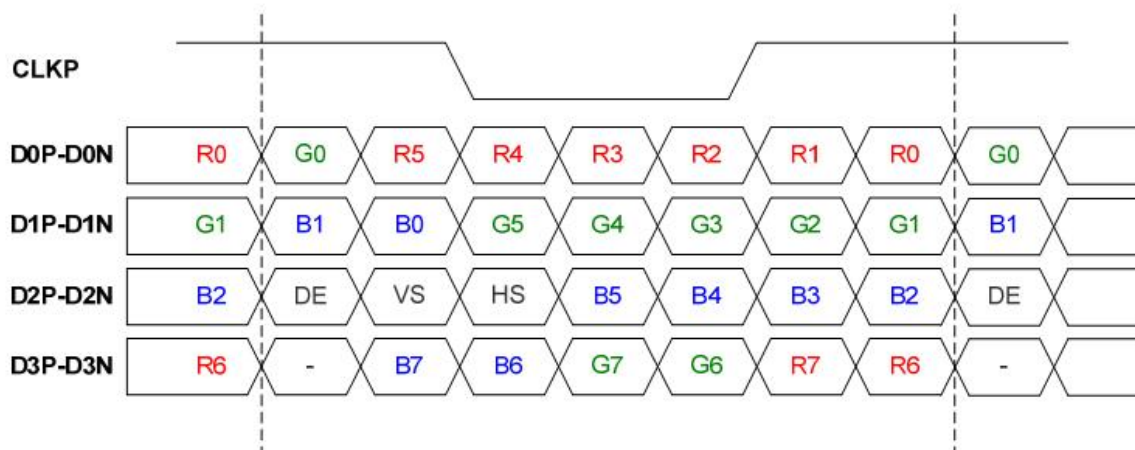
1280x800 (RES[3:0] = 0010)

Parameter	Symbol	Value			Unit	Note
		Min.	Typ.	Max.		
CLK frequency	t_{CLK}	62.6	68.2	78.1	MHz	
Horizontal blanking time	t_{HBT}	20	69	164	t_{CLK}	$t_{HBP} + t_{HFP}$
Horizontal back porch	t_{HBP}	5	5	$164 - t_{HFP}$	t_{CLK}	
Horizontal display area	t_{HD}	1280	1280	1280	t_{CLK}	
Horizontal front porch	t_{HFP}	15	64	159	t_{CLK}	
Horizontal period	t_H	1300	1349	1444	t_{CLK}	
Horizontal pulse width	t_{HPW}	1	1	256	t_{CLK}	
Vertical blanking time	t_{VBT}	5	42	101	t_H	$t_{VBP} + t_{VFP}$
Vertical back porch	t_{VBP}	2	2	$101 - t_{VFP}$	t_H	
Vertical display area	t_{VD}	800	800	800	t_H	
Vertical front porch	t_{VFP}	3	40	99	t_H	
Vertical period	t_V	803	842	901	t_H	
Vertical pulse width	t_{VPW}	1	1	128	t_H	

Table 5.3 Input timing

5.4 Data Input Format

VESA data mapping



Note 1 : for 6 bit mode, MSB are R/G/B[5] and R/G/B[0] are LSB

Note 2 : for 8 bit mode, MSB are R/G/B[7] and R/G/B[0] are LSB

Figure 5.4. VESA Data Input timing

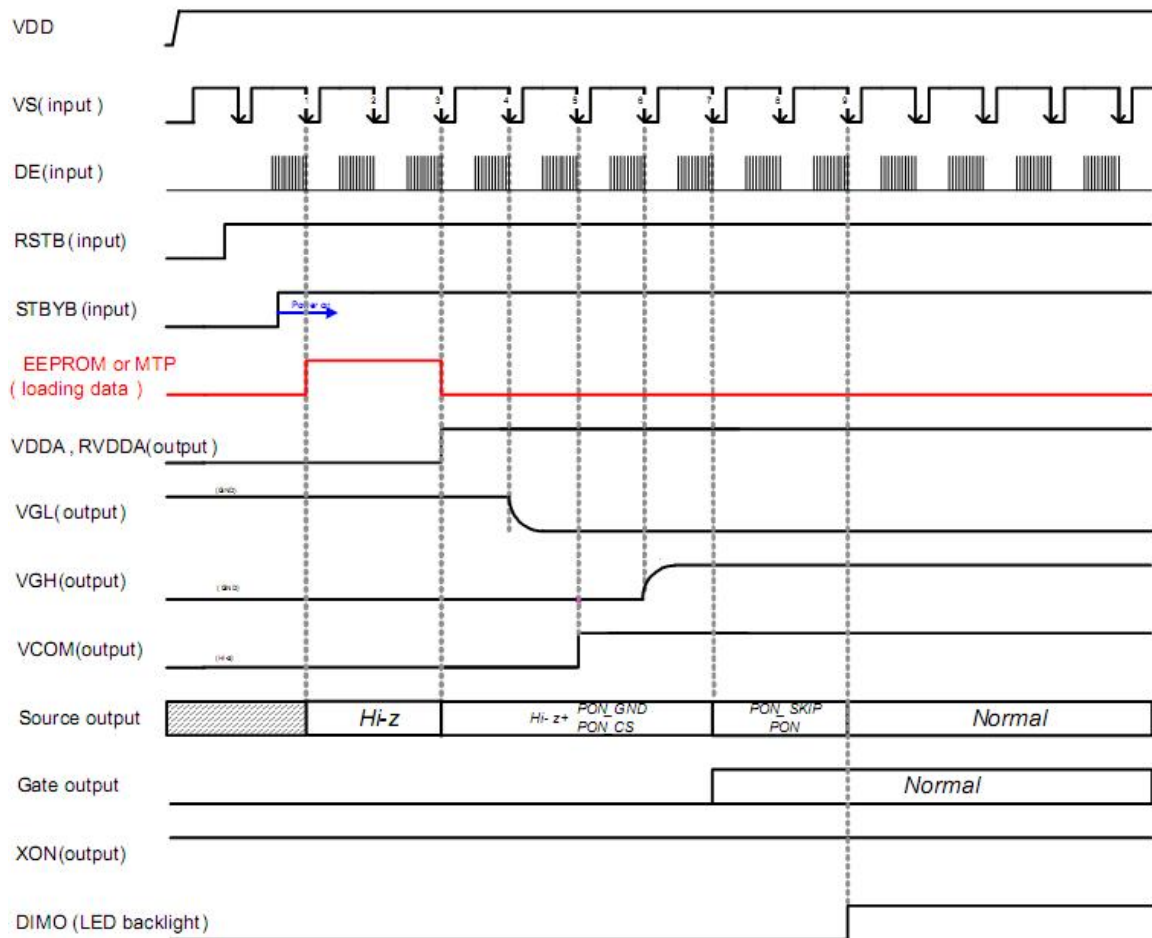


Disea Electronics Co., LTD

5.5 Power On/Off Timing

To prevent the device damage from latch up, the power on/off sequence shown below must be followed.

Power ON:





Disea Electronics Co., LTD

Power Off:

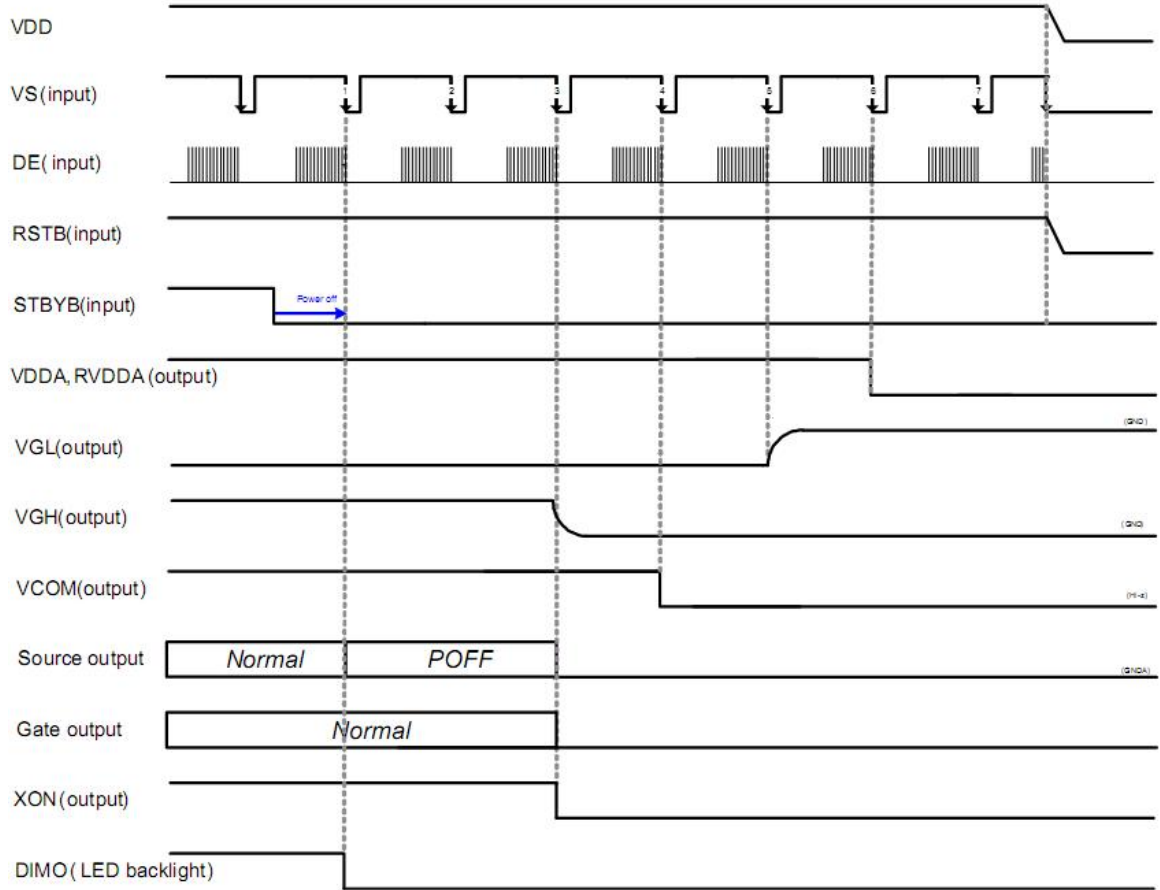


Figure 5.5 Power On/Off Timing



Disea Electronics Co., LTD

6. Optical Characteristics

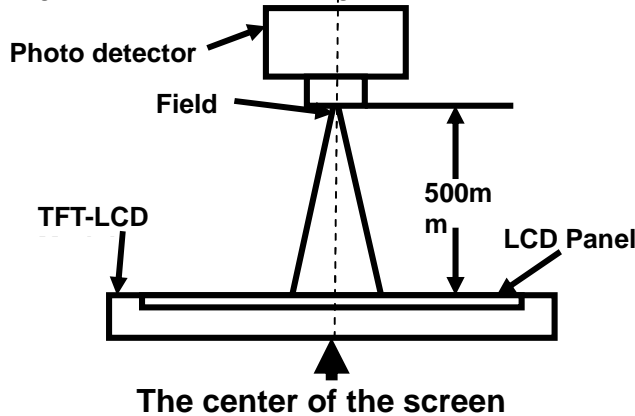
Item	Symbol	Condition	Min	Typ	Max	Unit	Remark
View Angles	θT	$CR \geq 10$	80	88	-	Degree	Note 2
	θB		80	88	-		
	θL		80	88	-		
	θR		80	88	-		
Contrast Ratio	CR	$\theta=0^\circ$	600	800	-		Left/right 0° Top/bottom 5°
Response Time	T_{ON}	$25^\circ C$	-	35	40	ms	Note1 Note4
	T_{OFF}						
Chromaticity	White	x	0.256	0.306	0.356		Note5 Note1
		y	0.279	0.329	0.379		
	Red	x	0.520	0.570	0.620		
		y	0.280	0.330	0.380		
	Green	x	0.300	0.350	0.400		
		y	0.542	0.592	0.642		
	Blue	x	0.105	0.155	0.205		
		y	0.051	0.101	0.151		
Uniformity	U		70	75	-	%	Note1、Note6
NTSC			45	50	-	%	
Luminance	L		320	400	-	cd/m ²	Note7

Test Conditions:

1. $I_F = 20mA$ (one channel), the ambient temperature is $25^\circ C$.
2. The test systems refer to Note 1 and Note 2.

Note 1: Definition of optical measurement system.

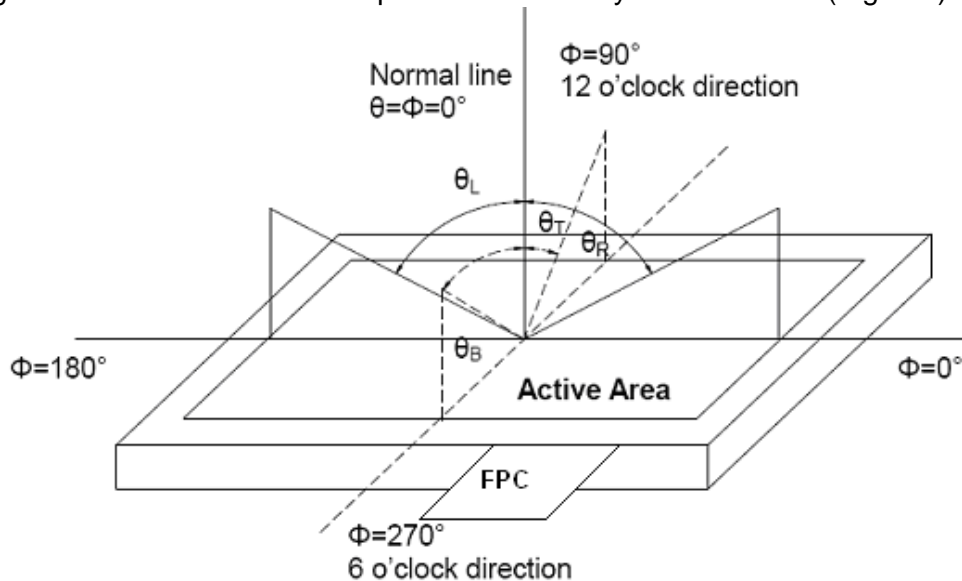
The optical characteristics should be measured in dark room. After 10 Minutes operation, the optical properties are measured at the center point of the LCD screen. All input terminals LCD panel must be ground when measuring the center area of the panel.



Item	Photo detector	Field
Contrast Ratio	SR-3A	1°
Luminance		
Chromaticity		
Lum Uniformity	BM-7A	2°
Response Time		

Note 2: Definition of viewing angle range and measurement system.

viewing angle is measured at the center point of the LCD by CONOSCOPE(ergo-80).



Note 3: Definition of contrast ratio

$$\text{Contrast ratio (CR)} = \frac{\text{Luminance measured when LCD is on the "White" state}}{\text{Luminance measured when LCD is on the "Black" state}}$$

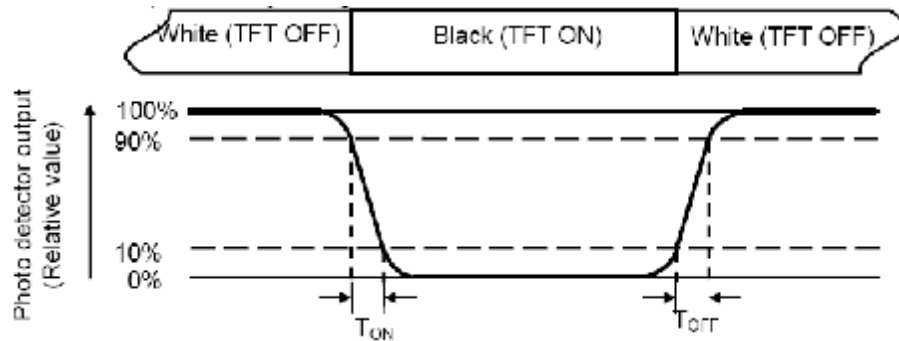
“White state “: The state is that the LCD should drive by V_{white} .

“Black state”: The state is that the LCD should drive by V_{black} .

V_{white} : To be determined V_{black} : To be determined.

Note 4: Definition of Response time

The response time is defined as the LCD optical switching time interval between “White” state and “Black” state. Rise time (T_{ON}) is the time between photo detector output intensity changed from 90% to 10%. And fall time (T_{OFF}) is the time between photo detector output intensity changed from 10% to 90%.



the

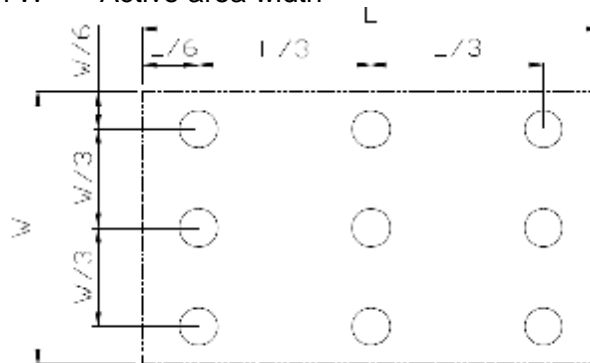
Note 5: Definition of color chromaticity (CIE1931)
 Color coordinates measured at center point of LCD.

Note 6: Definition of Luminance Uniformity

Active area is divided into 9 measuring areas (Refer Fig. 2). Every measuring point is placed at center of each measuring area.

$$\text{Luminance Uniformity (U)} = L_{\min} / L_{\max}$$

L-----Active area length W----- Active area width



L_{\max} : The measured Maximum luminance of all measurement position.

L_{\min} : The measured Minimum luminance of all measurement position.

Note 7: Definition of Luminance:

Measure the luminance of white state at center point.



Disea Electronics Co., LTD

7. Reliability Test

No	Test Item	Condition	Remarks
1	High Temperature Operation	Ta = +70°C, 240 hours	IEC60068-2-1:2007 GB2423.2-2008
2	Low Temperature Operation	Ta = -20°C, 240 hours	IEC60068-2-1:2007 GB2423.1-2008
3	High Temperature Storage	Ta = +80°C, 240 hours	IEC60068-2-1:2007 GB2423.2-2008
4	Low Temperature Storage	Ta = -30°C, 240 hours	IEC60068-2-1:2007 GB2423.1-2008
5	Operate at High Temperature and Humidity	Ta=+60°C、RH=90%, 240 hours	IEC60068-2-78 :2001 GB/T2423.3—2006
6	Thermal Shock (non-operation)	-30°C (30min) ⇔ 80°C (30min) ,Change Time:5min,20cycle	Start with cold temperature, End with high temperature, IEC60068-2-14:1984,G B2423.22-2002
7	ESD	C=150pF、R=330Ω Air: ±8KV Contact:±4KV 5point/panel, 5times (Environment:15°C~35°C, 30%~60%.86Kpa~106Kpa)	IEC61000-4-2:2001 GB/T17626.2-2006
8	Vibration Test	Frequency range:10~55Hz Stroke: 1.5mm Sweep: 10Hz~55Hz~10Hz 2 hours for each direction of X.Y.Z. (6 hours for total)	IEC60068-2-6:1982 GB/T2423.10—1995
9	Mechanical Shock (Non OP)	Half Sine Wave 60G ,6ms,±X,±Y,±Z 3times for each direction	IEC60068-2-27:1987 GB/T2423.5—1995
10	Package Drop Test	Height:60cm, 1corner,3edges,6surfaces	IEC60068-2-32:1990 GB/T2423.8—1995

Notes:

1. The test result shall be evaluated after the sample has been left at room temperature and humidity for 2 hours without load. No condensation shall be accepted. The sample will not be accepted if appear these defects:

- 1).Air bubble in the LCD;
- 2).Seal leak
- 3).Non-display
- 4).missing segments
- 5).Glass crack



Disea Electronics Co., LTD

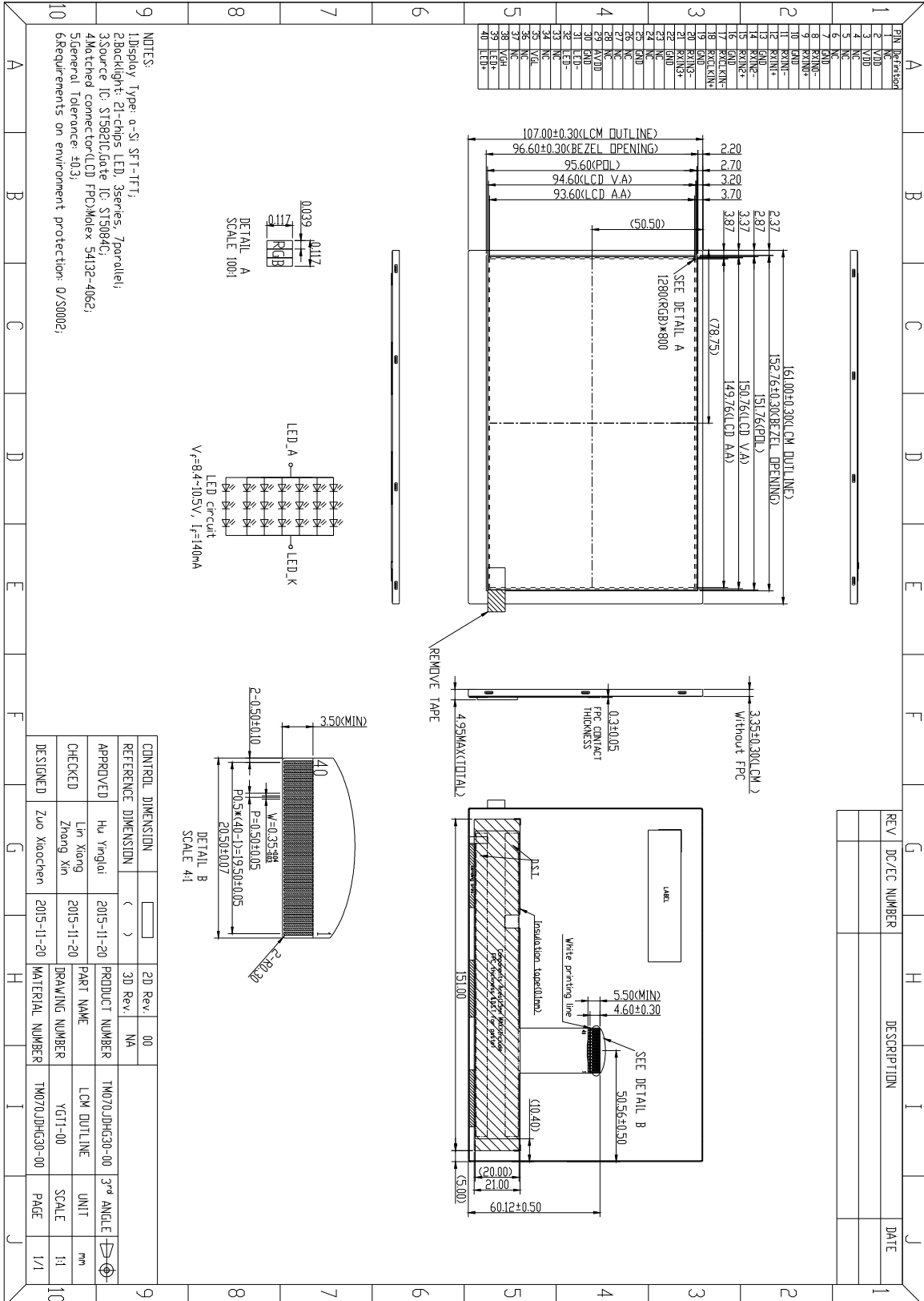
- 6).CR reduction >40%
 - 7).IDD increase >100%
 - 8).Brightness reduction >50%
 - 9).Color coordinate tolerance >0.05
3. Each test item applies for a test sample only once, The test sample can not be used again in any other test item.
- 4.For Damp Proof Test, Pure water(Resistance > 10MΩ) should be used.
- 5.In case of malfunction defect caused by ESD damage, if it would be recovered to normal state after resetting, it would be judge as a good part.
- 6 In the test of High Temperature Operation and High Temperature & Humidity Operation ,the operation temperature is the surface temperature of module
- 7 High Temperature Operation、 Low Temperature Operation、 High Temperature Storage、 Low Temperature Storage、 High Temperature & Humidity Operation、 High Temperature & Humidity Storage will be increased the test time to 1000hours in the same conditions to test out the ability of module, and we can not guarantee that the module will not fail during 1000hours.These items test only once



Disea Electronics Co., LTD

Mechanical Drawing

8.

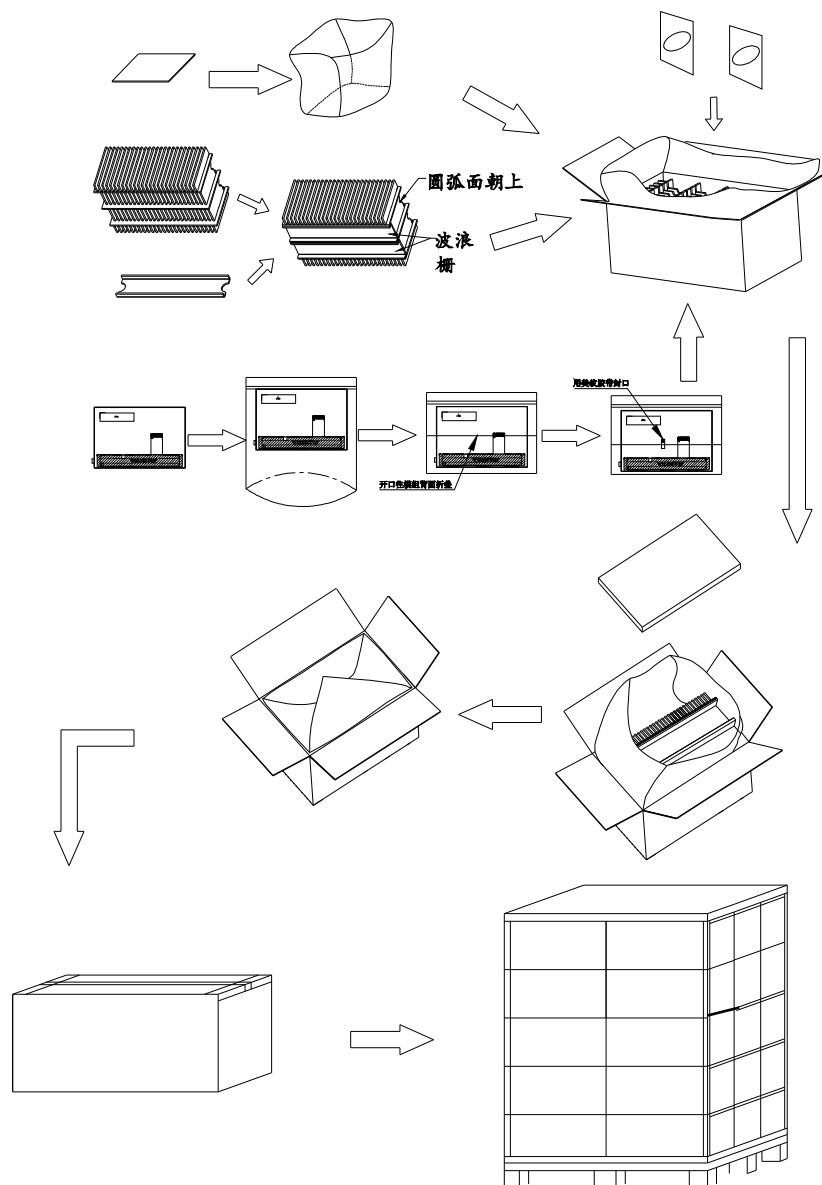




Disea Electronics Co., LTD

9. Packing Drawing

No	Item	Model (Material)	Dimensions(mm)	Unit Weight(Kg)	Quantity
1	LCM	TM070JDHG30-00	161.0*107.0*3.35mm	0.12	40
2	Carton	Corrugated paper	530*350*288	0.8	1
3	Anti-static bubble bag	PE	180*190mm	0.005	40
6	Partition_1	压线卡 1	513*333*247	1.58	1
7	Partition_2	压线卡 2	513*333*6.5	0.1	4
8	Corrugated bar	Corrugated bar	513*108*35	0.08	4
9	Beauty-grain	--	30*10mm	0.001	40
10	Dust-Proof Bag	防尘袋	700*545*0.05	0.06	1
11	Total weight	8KG ± 5%			





Disea Electronics Co., LTD

10. Precautions for Use of LCD Modules

10.1 Handling Precautions

10.1.1 The display panel is made of glass. Do not subject it to a mechanical shock by dropping it from a high place, etc.

10.1.2 If the display panel is damaged and the liquid crystal substance inside it leaks out, be sure not to get any in your mouth, if the substance comes into contact with your skin or clothes, promptly wash it off using soap and water.

10.1.3 Do not apply excessive force to the display surface or the adjoining areas since this may cause the color tone to vary.

10.1.4 The polarizer covering the display surface of the LCD module is soft and easily scratched. Handle this polarizer carefully.

10.1.5 If the display surface is contaminated, breathe on the surface and gently wipe it with a soft dry cloth. If still not completely clear, moisten cloth with one of the following solvents:

- Isopropyl alcohol
- Ethyl alcohol

Solvents other than those mentioned above may damage the polarizer.

Especially, do not use the following:

- Water
- Ketone
- Aromatic solvents

10.1.6 Do not attempt to disassemble the LCD Module.

10.1.7 If the logic circuit power is off, do not apply the input signals.

10.1.8 To prevent destruction of the elements by static electricity, be careful to maintain an optimum work environment.

- a. Be sure to ground the body when handling the LCD Modules.
- b. Tools required for assembly, such as soldering irons, must be properly ground.
- c. To reduce the amount of static electricity generated, do not conduct assembly and other work under dry conditions.
- d. The LCD Module is coated with a film to protect the display surface. Be care when peeling off this protective film since static electricity may be generated.



Disea Electronics Co., LTD

10.2 Storage precautions

10.2.1 When storing the LCD modules, avoid exposure to direct sunlight or to the light of fluorescent lamps.

10.2.2 The LCD modules should be stored under the storage temperature range. If the LCD modules will be stored for a long time, the recommended condition is:

Temperature : 0°C ~ 40°C

Relatively humidity: ≤80%

10.2.3 The LCD modules should be stored in the room without acid, alkali and harmful gas.

10.3 The LCD modules should be no falling and violent shocking during transportation, and also should avoid excessive pressure, water, damp and sunshine.