

Data sheet

Commercial Art.No.: 73.810.4253.0

Male insert DD STC 42 1,5 25

revos DD 42 pole + ground, male insert 250V/10A, crimp connection



Commercial Art.No.	73.810.4253.0
EAN	4015573861602
Order Unit	5

Certificates / Approvals



Technical data

General

Model	Pin insert
Inflammability class of insulation material acc. with UL94	V0
Mating cycles	500
Pollution degree	3
Modular version	No
Alternative size	10H
Operating temperature range min.	-40 °C
Operating temperature range max.	120 °C

Connection Data

Connection type	Crimp
Number of poles	42
Plus switching contacts	0
Number of pole for rated current 2	0
Number of pole for rated current 3	0
Total number of poles (without ground contact)	42
With wire protection	No
Protective contact	yes

Technical Data UL/CSA

Rated voltage according to UL/CSA	600 V
Rated current according UL	8.5 A
Rated current according CSA	20 A
Min. conductor cross section flexible wire	0.14 mm ²
Max. conductor cross section flexible wire	2.5 mm ²

Conductor cross section flexible AWG wire	26-14 AWG
---	-----------

Model

With housing	No
--------------	----

Contacts

Contact material	See contacts
Surface	See contacts
Contact resistance	≤ 5 mOhm
Wire strip length	8 mm

Screws head design/recomm. Torque

Mounting screws	Z1/0.5 Nm
Ground conductor screws	Z2/1.2 Nm

Technical Data DIN EN 61984

Nominal voltage	250 V
Rated voltage face/ground	250 V
Nominal current	10 A
Rated impulse voltage	4 kV

Classification

ECLASS 11	
ECLASS 8.1	27440205
ETIM 7.0	EC000438
ETIM 6.0	EC000438
ETIM 5.0	EC000438
ETIM 4.0	EC000438
ETIM 3.0	EC000438

Product compliance

ROHS conformity status	Compliant
REACH-SVHC conformity status	Compliant

Accessories

Commercial Art.No.:	Article-type description:	Description:
05.544.4129.8	Male contact D 1,6- 0,14-0,37 QMM	Male contact, turned Ø 1,6 mm, 0,14-0,37 mm ² , AWG 26-22, Ag
05.544.4229.8	Male contact D 1,6- 0,5 QMM	Male contact, turned Ø 1,6 mm, 0,5 mm ² , AWG 20, Ag
05.544.4329.8	Male contact D 1,6- 0,75-1,0 QMM	Male contact, turned Ø 1,6 mm, 0,75-1 mm ² , AWG 18, Ag
05.544.4429.8	Male contact D 1,6- 1,5 QMM	Male contact, turned Ø 1,6 mm, 1,5 mm ² , AWG 16, Ag
05.544.4529.8	Male contact D 1,6- 2,5 QMM	Male contact, turned Ø 1,6 mm, 2,5 mm ² , AWG 14, Ag
05.544.4129.7	Male contact D 1,6 - 0,14 - 0,37 QMM	Male contact, turned Ø 1,6 mm, 0,14-0,37 mm ² , AWG 26-22, Au
05.544.4229.7	Male contact D 1,6 - 0,5 QMM	
05.544.4329.7	Male contact D 1,6 - 0,75 - 1,0 QMM	Male contact, turned Ø 1,6 mm, 0,75 - 1,0 mm ² , AWG 26-22, Au
05.544.4429.7	Male contact D 1,6 - 1,5 QMM	

Fits with

Commercial Art.No.:	Article-type description:	Description:
71.350.1035.0	Hood BAS GOT GG 10 M20 A0	Hood revos basic made of aluminum, for single locking lever with cable gland M20 on the right side (IP54), low version, 10-poles
71.350.1035.1	Hood BAS GOT GG 10 M20 A1	Hood revos basic made of aluminum, for single locking lever with threaded hole M20 on the right side, low version, 10-poles
71.350.1035.2	Hood BAS GOT GG 10 M20 A2	Hood revos basic made of aluminum, for single locking lever with nozzleM20 on the right side, low version, 10-poles
71.350.1035.3	Hood BAS GOT GG 10 M20 A3	Hood revos basic made of aluminum, for single locking lever with trumpet gland M20 on the right side (IP54), low version, 10-poles
71.352.1035.0	Hood BAS GOT GI 10 M20 A0	Hood revos basic made of aluminum, for single locking lever with cable gland M20 on the top (IP54), low version, 10-poles
71.352.1035.1	Hood BAS GOT GI 10 M20 A1	Hood revos basic made of aluminum, for single locking lever with threaded hole M20 on the top, low version, 10-poles
71.352.1035.2	Hood BAS GOT GI 10 M20 A2	Hood revos basic made of aluminum, for single locking lever with nozzleM20 on the top, low version, 10-poles
71.352.1035.3	Hood BAS GOT GI 10 M20 A3	Hood revos basic made of aluminum, for single locking lever with trumpet gland M20 on the top (IP54), low version, 10-poles
71.353.1035.0	Hood BAS GOT GG 10 M25 A0	Hood revos basic made of aluminum, for single locking lever with cable gland M25 on the right side (IP54), low version, 10-poles
71.353.1035.1	Hood BAS GOT GG 10 M25 A1	Hood revos basic made of aluminum, for single locking lever with threaded hole M25 on the right side, low version, 10-poles
71.353.1035.3	Hood BAS GOT GG 10 M25 A3	Hood revos basic made of aluminum, for single locking lever with trumpet gland M25 on the right side (IP54), low version, 10-poles
71.354.1035.0	Hood BAS GOT GI 10 M25 A1	Hood revos basic made of aluminum, for single locking lever with threaded hole M25 on the top, low version, 10-poles
71.354.1035.1	Hood BAS GOT GI 10 M25 A2	Hood revos basic made of aluminum, for single locking lever with nozzleM25 on the top, low version, 10-poles
71.354.1035.3	Hood BAS GOT GI 10 M25 A5	Hood revos basic made of aluminum, for single locking lever with cable gland M25 on the top (IP65), low version, 10-poles
71.372.1035.0	Hood BAS GOT GL 10 M20 A0	Hood revos basic made of aluminum, with single locking lever and cable gland M20 on the top - free cable connection (IP54), low version, 10-poles
71.372.1035.1	Hood BAS GOT GL 10 M20 A1	Hood revos basic made of aluminum, with single locking lever and threaded hole M20 on the top - free cable connection, low version, 10-poles
71.372.1035.3	Hood BAS GOT GL 10 M20 A3	Hood revos basic made of aluminum, with single locking lever and trumpet gland M20 on the top - free cable connection (IP54), low version, 10-poles
71.450.1037.1	Hood BAS GOM GG10 M20 B1	Hood revos basic metal-series without coating, for single locking lever with threaded hole M20 on the right side, low version, 10-poles
71.452.1037.1	Hood BAS GOM GI10 M20 B1	Hood revos basic metal-series without coating, for single locking lever with threaded hole M20 on the top, low version, 10-poles
76.350.1035.0	Hood BAS GOT GG 10HM25 50 A0	Hood revos basic made of aluminum, for single locking lever with cable gland M25 on the right side (IP54), low version, 10-poles
76.350.1035.1	Hood BAS GOT GG 10HM25 50 A1	Hood revos basic made of aluminum, for single locking lever with threaded hole M25 on the right side, low version, 10-poles
76.351.1035.0	Hood BAS GOT GH 10H M20 A0	Hood revos basic made of aluminum, for single locking lever with cable gland M20 on the front (IP54), low version, 10-poles
76.351.1035.1	Hood BAS GOT GH 10H M20 A1	Hood revos basic made of aluminum, for single locking lever with threaded hole M20 on the front, low version, 10-poles
76.351.1035.3	Hood BAS GOT GH 10H M20 A3	Hood revos basic made of aluminum, for single locking lever with trumpet gland M20 on the front (IP54), low version, 10-poles

76.352.1035.0	Hood BAS GOT GI 10HM25 50 A0	Hood revos basic made of aluminum, for single locking lever with cable gland M25 on the top (IP54), low version, 10-poles
76.352.1035.1	Hood BAS GOT GI 10HM25 50 A1	Hood revos basic made of aluminum, for single locking lever with threaded hole M25 on the top, low version, 10-poles
76.353.1035.0	Hood BAS GOT GG 10HM32 50 A0	Hood revos basic made of aluminum, for single locking lever with cable gland M32 on the right side (IP54), low version, 10-poles
76.353.1035.1	Hood BAS GOT GG 10HM32 50 A1	Hood revos basic made of aluminum, for single locking lever with threaded hole M32 on the right side, low version, 10-poles
76.353.1035.2	Hood BAS GOT GG 10HM32 50 A2	Hood revos basic made of aluminum, for single locking lever with nozzleM32 on the right side, low version, 10-poles
76.354.1035.0	Hood BAS GOT GI 10HM32 50 A0	Hood revos basic made of aluminum, for single locking lever with cable gland M32 on the top (IP54), low version, 10-poles
76.354.1035.1	Hood BAS GOT GI 10HM32 50 A1	Hood revos basic made of aluminum, for single locking lever with threaded hole M32 on the top, low version, 10-poles
76.354.1035.2	Hood BAS GOT GI 10HM32 50 A2	Hood revos basic made of aluminum, for single locking lever with nozzleM32 on the top, low version, 10-poles
71.320.1028.0	Bottom BAS GUT GK 10 A	Bottom-base revos basic made of aluminum, with single locking lever, open, low version, 10-poles
71.325.1028.0	Bottom BAS GUT GP 10 A	Bottom-base revos basic made of aluminum, with single locking lever, open, low version, 10-poles
71.330.1035.0	Bottom BAS GUT GL 10 M20 A0	Bottom-base revos basic made of aluminum, with single locking lever andcable gland M20 on the right and left side (IP54), low version, 10-polig
71.330.1035.1	Bottom BAS GUT GL 10 M20 A1	Bottom-base revos basic made of aluminum, with single locking lever andthreaded hole M20 on the right and left side, low version, 10-polig
71.331.1035.0	Bottom BAS GUT GM 10 M20 A0	Bottom-base revos basic made of aluminum, with single locking lever andcable gland M20 on the left side (IP54), low version, 10-polig
71.331.1035.1	Bottom BAS GUT GM 10 M20 A1	Bottom-base revos basic made of aluminum, with single locking lever andthreaded hole M20 on the left side, low version, 10-polig
71.333.1035.0	Bottom BAS GUT GO 10 M20 A0	Bottom-base revos basic made of aluminum, with single locking lever andcable gland M20 on the bottom (IP54), low version, 10-polig
71.333.1035.1	Bottom BAS GUT GO 10 M20 A1	Bottom-base revos basic made of aluminum, with single locking lever andthreaded hole M20 on the bottom, low version, 10-polig
71.335.1035.0	Bottom BAS GUT GM 10 M25 A0	Bottom-base revos basic made of aluminum, with single locking lever andcable gland M25 on the left side (IP54), low version, 10-polig
71.335.1035.1	Bottom BAS GUT GM 10 M25 A1	Bottom-base revos basic made of aluminum, with single locking lever andthreaded hole M25 on the left side, low version, 10-polig
71.340.1035.0	Bottom BAS GUT GR 10 M20 A0	Bottom-base revos basic made of aluminum, with single locking lever andcable gland M20 on the right and the left side, with protective cover (IP54), low version, 10-polig
71.340.1035.1	Bottom BAS GUT GR 10 M20 A1	Bottom-base revos basic made of aluminum, with single locking lever andthreaded hole M20 on the right and the left side, with protective cover, low version, 10-polig
71.341.1035.0	Bottom BAS GUT GS 10 M20 A0	Bottom-base revos basic made of aluminum, with single locking lever andcable gland M20 on the left side, with protective cover (IP54), low version, 10-polig
71.341.1035.1	Bottom BAS GUT GS 10 M20 A1	Bottom-base revos basic made of aluminum, with single locking lever andthreaded hole M20 on the left side, with protective cover, low version, 10-polig
71.342.1035.0	Bottom BAS GUT GT 10 M20 A0	Bottom-base revos basic made of aluminum, with single locking lever andcable gland M20 on the right side, with protective cover (IP54), low version, 10-polig
71.342.1035.1	Bottom BAS GUT GT 10 M20 A1	Bottom-base revos basic made of aluminum, with single locking lever andthreaded hole M20 on the right side, with protective cover, low version, 10-polig

71.343.1035.0	Bottom BAS GUT GU 10 M20 A0	Bottom-base revos basic made of aluminum, with single locking lever and cable gland M20 on the bottom, with protective cover (IP54), low version, 10-polig
71.343.1035.1	Bottom BAS GUT GU 10 M20 A1	Bottom-base revos basic made of aluminum, with single locking lever and threaded hole M20 on the bottom, with protective cover, low version, 10-polig
71.420.1037.0	Bottom BAS GUM GK 10 B	Bottom-base revos basic metal-series without coating, open, low version, 10-poles
71.425.1037.0	Bottom BAS GUM GP 10 B	Bottom-base revos basic metal-series without coating, with single locking lever and protective cover, low version, 10-poles
71.430.1037.1	Bottom BAS GUM GL 10 M20 B1	Bottom-base revos basic metal-series without coating, with single locking lever and threaded hole M20 on the right and left side, low version, 10-polig
71.431.1037.1	Bottom BAS GUM GM 10 M20 B1	Bottom-base revos basic metal-series without coating, with single locking lever and threaded hole M20 on the left side, low version, 10-polig
71.440.1037.1	Bottom BAS GUM GR 10 M20 B1	Bottom-base revos basic metal-series without coating, with single locking lever and threaded hole M20 on the right and the left side, with protective cover, low version, 10-polig
71.441.1037.1	Bottom BAS GUM GS 10 M20 B1	Bottom-base revos basic metal-series without coating, with single locking lever and threaded hole M20 on the left side, with protective cover, low version, 10-polig
76.330.1035.0	Bottom BAS GUT GL 10HM25 50 A0	Bottom-base revos basic made of aluminum, with single locking lever and cable gland M25 on the right and left side (IP54), low version, 10-polig
76.330.1035.1	Bottom BAS GUT GL 10HM25 50 A1	Bottom-base revos basic made of aluminum, with single locking lever and threaded hole M25 on the right and left side, low version, 10-polig
76.331.1035.0	Bottom BAS GUT GM 10HM25 50 A0	Bottom-base revos basic made of aluminum, with single locking lever and cable gland M25 on the left side (IP54), low version, 10-polig
76.331.1035.1	Bottom BAS GUT GM 10HM25 50 A1	Bottom-base revos basic made of aluminum, with single locking lever and threaded hole M25 on the left side, low version, 10-polig
76.334.1035.0	Bottom BAS GUT GL 10HM32 50 A0	Bottom-base revos basic made of aluminum, with single locking lever and cable gland M32 on the right and left side (IP54), low version, 10-polig
76.334.1035.1	Bottom BAS GUT GL 10HM32 50 A1	Bottom-base revos basic made of aluminum, with single locking lever and threaded hole M32 on the right and left side, low version, 10-polig
76.335.1035.1	Bottom BAS GUT GM 10HM32 50 A1	Bottom-base revos basic made of aluminum, with single locking lever and threaded hole M32 on the left side, low version, 10-polig
76.340.1035.0	Bottom BAS GUT GR 10HM25 50 A0	Bottom-base revos basic made of aluminum, with single locking lever and cable gland M25 on the right and the left side, with protective cover (IP54), low version, 10-polig
76.340.1035.1	Bottom BAS GUT GR 10HM25 50 A1	Bottom-base revos basic made of aluminum, with single locking lever and threaded hole M25 on the right and the left side, with protective cover, low version, 10-polig
76.341.1035.0	Bottom BAS GUT GS 10HM25 50 A0	Bottom-base revos basic made of aluminum, with single locking lever and cable gland M25 on the left side, with protective cover (IP54), low version, 10-polig
76.341.1035.1	Bottom BAS GUT GS 10HM25 50 A1	Bottom-base revos basic made of aluminum, with single locking lever and threaded hole M25 on the left side, with protective cover, low version, 10-polig
76.342.1035.0	Bottom BAS GUT GT 10HM25 50 A0	Bottom-base revos basic made of aluminum, with single locking lever and cable gland M25 on the right side, with protective cover (IP54), low version, 10-polig
76.342.1035.1	Bottom BAS GUT GM 10HM25 50 A1	Bottom-base revos basic made of aluminum, with single locking lever and threaded hole M25 on the left side, low version, 10-polig

76.344.1035.0	Bottom BAS GUT GR 10HM32 50 A0	Bottom-base revos basic made of aluminum, with single locking lever and cable gland M32 on the right and the left side, with protective cover (IP54), low version, 10-pole
76.344.1035.1	Bottom BAS GUT GR 10HM32 50 A1	Bottom-base revos basic made of aluminum, with single locking lever and threaded hole M32 on the right and the left side, with protective cover, low version, 10-pole
76.345.1035.1	Bottom BAS GUT GS 10HM32 50 A1	Bottom-base revos basic made of aluminum, with single locking lever and threaded hole M32 on the left side, with protective cover, low version, 10-pole
76.346.1035.1	Bottom BAS GUT GT 10HM32 50 A1	Bottom-base revos basic made of aluminum, with single locking lever and threaded hole M32 on the right side, with protective cover, low version, 10-pole
70.350.1035.0	Hood BAS GOT GA 10 M20 A0	Hood revos basic made of aluminum, for double locking lever or screw cap with cable gland M20 on the right side (IP54), low version, 10-poles
70.350.1035.1	Hood BAS GOT GA 10 M20 A1	Hood revos basic made of aluminum, for double locking lever or screw cap with threaded hole M20 on the right side, low version, 10-poles
70.350.1035.2	Hood BAS GOT GA 10 M20 A2	Hood revos basic made of aluminum, for double locking lever or screw cap with nozzle M20 on the right side, low version, 10-poles
70.350.1035.3	Hood BAS GOT GA 10 M20 A3	Hood revos basic made of aluminum, for double locking lever or screw cap with trumpet gland M20 on the right side (IP54), low version, 10-poles
70.352.1035.0	Hood BAS GOT GC 10 M20 A0	Hood revos basic made of aluminum, for double locking lever or screw cap with cable gland M20 on the top (IP54), low version, 10-poles
70.352.1035.1	Hood BAS GOT GC 10 M20 A1	Hood revos basic made of aluminum, for double locking lever or screw cap with threaded hole M20 on the top, low version, 10-poles
70.352.1035.2	Hood BAS GOT GC 10 M20 A2	Hood revos basic made of aluminum, for double locking lever or screw cap with nozzle M20 on the top, low version, 10-poles
70.352.1035.3	Hood BAS GOT GC 10 M20 A3	Hood revos basic made of aluminum, for double locking lever or screw cap with trumpet gland M20 on the top (IP54), low version, 10-poles
70.353.1035.0	Hood BAS GOT GA 10 M25 A0	Hood revos basic made of aluminum, for double locking lever or screw cap with cable gland M25 on the right side (IP54), low version, 10-poles
70.353.1035.1	Hood BAS GOT GA 10 M25 A1	Hood revos basic made of aluminum, for double locking lever or screw cap with threaded hole M25 on the right side, low version, 10-poles
70.353.1035.2	Hood BAS GOT GA 10 M25 A2	Hood revos basic made of aluminum, for double locking lever or screw cap with nozzle M25 on the right side, low version, 10-poles
70.353.1035.3	Hood BAS GOT GA 10 M25 A3	Hood revos basic made of aluminum, for double locking lever or screw cap with trumpet gland M25 on the right side (IP54), low version, 10-poles
70.354.1035.0	Hood BAS GOT GC 10 M25 A0	Hood revos basic made of aluminum, for double locking lever or screw cap with cable gland M25 on the top (IP54), low version, 10-poles
70.354.1035.1	Hood BAS GOT GC 10 M25 A1	Hood revos basic made of aluminum, for double locking lever or screw cap with threaded hole M25 on the top, low version, 10-poles
70.354.1035.2	Hood BAS GOT GC 10 M25 A2	Hood revos basic made of aluminum, for double locking lever or screw cap with nozzle M25 on the top, low version, 10-poles
70.354.1035.3	Hood BAS GOT GC 10 M25 A3	Hood revos basic made of aluminum, for double locking lever or screw cap with trumpet gland M25 on the top (IP54), low version, 10-poles
70.355.1035.0	Hood BAS GOT GD 10 M20 A0	Hood revos basic made of aluminum, with double locking lever and cable gland M20 on the right side (IP54), low version, 10-poles

70.355.1035.1	Hood BAS GOT GD 10 M20 A1	Hood revos basic made of aluminum, with double locking lever and threaded hole M20 on the right side, low version, 10-poles
70.355.1035.2	Hood BAS GOT GD 10 M20 A2	Hood revos basic made of aluminum, with double locking lever and nozzle M20 on the right side, low version, 10-poles
70.355.1035.3	Hood BAS GOT GD 10 M20 A3	Hood revos basic made of aluminum, with double locking lever and trumpet gland M20 on the right side (IP54), low version, 10-poles
70.357.1035.0	Hood BAS GOT GF 10 M20 A0	Hood revos basic made of aluminum, with double locking lever and cable gland M20 on the top (IP54), low version, 10-poles
70.357.1035.1	Hood BAS GOT GF 10 M20 A1	Hood revos basic made of aluminum, with double locking lever and threaded hole M20 on the top, low version, 10-poles
70.357.1035.3	Hood BAS GOT GF 10 M20 A3	Hood revos basic made of aluminum, with double locking lever and trumpet gland M20 on the top (IP54), low version, 10-poles
70.358.1035.0	Hood BAS GOT GD 10 M25 A0	Hood revos basic made of aluminum, with double locking lever and cable gland M25 on the right side (IP54), low version, 10-poles
70.358.1035.1	Hood BAS GOT GD 10 M25 A1	Hood revos basic made of aluminum, with double locking lever and threaded hole M25 on the right side, low version, 10-poles
70.358.1035.3	Hood BAS GOT GD 10 M25 A3	Hood revos basic made of aluminum, with double locking lever and trumpet gland M25 on the right side (IP54), low version, 10-poles
70.359.1035.0	Hood BAS GOT GF 10 M25 A0	Hood revos basic made of aluminum, with double locking lever and cable gland M25 on the top (IP54), low version, 10-poles
70.359.1035.1	Hood BAS GOT GF 10 M25 A1	Hood revos basic made of aluminum, with double locking lever and threaded hole M25 on the top, low version, 10-poles
70.359.1035.3	Hood BAS GOT GF 10 M25 A3	Hood revos basic made of aluminum, with double locking lever and trumpet gland M25 on the top (IP54), low version, 10-poles
70.372.1035.0	Hood BAS GOT GK 10 M20 A0	Hood revos basic made of aluminum, with double locking lever and cable gland M20 on the top - free cable connection (IP54), low version, 10-poles
70.372.1035.1	Hood BAS GOT GK 10 M20 A1	Hood revos basic made of aluminum, with double locking lever and threaded hole M20 on the top - free cable connection, low version, 10-poles
70.372.1035.3	Hood BAS GOT GK 10 M20 A3	Hood revos basic made of aluminum, with double locking lever and trumpet gland M20 on the top - free cable connection (IP54), low version, 10-poles
73.350.1035.0	Hood BAS GOT GA 10HM25 50 A0	Hood revos basic made of aluminum, for double locking lever or screw cap with cable gland M25 on the right side (IP54), low version, 10-poles
73.350.1035.1	Hood BAS GOT GA 10HM25 50 A1	Hood revos basic made of aluminum, for double locking lever or screw cap with threaded hole M25 on the right side, low version, 10-poles
73.350.1035.3	Hood BAS GOT GA 10 M20 A3	Hood revos basic made of aluminum, for double locking lever or screw cap with trumpet gland M20 on the right side (IP54), low version, 10-poles
73.351.1035.0	Hood BAS GOT GB 10H M20 A0	Hood revos basic made of aluminum, for double locking lever and cable gland M20 on the front (IP54), low version, 10-poles
73.351.1035.1	Hood BAS GOT GB 10H M20 A1	Hood revos basic made of aluminum, for double locking lever and threaded hole M20 on the front, low version, 10-poles
73.352.1035.0	Hood BAS GOT GC 10HM25 50 A0	Hood revos basic made of aluminum, for double locking lever or screw cap with cable gland M25 on the top (IP54), low version, 10-poles
73.352.1035.1	Hood BAS GOT GC 10HM25 50 A1	Hood revos basic made of aluminum, for double locking lever or screw cap with threaded hole M25 on the top, low version, 10-poles
73.353.1035.0	Hood BAS GOT GA 10HM32 50 A0	Hood revos basic made of aluminum, for double locking lever or screw cap with cable gland M32 on the right side (IP54), low version, 10-poles

73.353.1035.1	Hood BAS GOT GA 10HM32 50 A1	Hood revos basic made of aluminum, for double locking lever or. screw cap with threaded hole M32 on the right side, low version, 10-poles
73.353.1035.3	Hood BAS GOT GA 10HM32 50 A3	Hood revos basic made of aluminum, for double locking lever or. screw cap with trumpet gland M32 on the right side (IP54), low version, 10-poles
73.354.1035.0	Hood BAS GOT GC 10HM32 50 A0	Hood revos basic made of aluminum, for double locking lever or. screw cap with cable gland M32 on the top (IP54), low version, 10-poles
73.354.1035.1	Hood BAS GOT GC 10HM32 50 A1	Hood revos basic made of aluminum, for double locking lever or. screw cap with threaded hole M32 on the top, low version, 10-poles
70.320.1028.0	Bottom BAS GUT GA 10 A	Bottom-base revos basic made of aluminum, with double locking lever or.screw cap, low version, 10-poles
70.325.1028.0	Bottom BAS GUT GE 10 A	Bottom-base revos basic made of aluminum, for double locking lever and protective cover, open, low version, 10-poles
70.330.1035.0	Bottom BAS GUT GB 10 M20 A0	Bottom-base revos basic made of aluminum, with double locking lever or.screw cap with cable gland M20 on the right and left side (IP54), low version, 10-polig
70.330.1035.1	Bottom BAS GUT GB 10 M20 A1	Bottom-base revos basic made of aluminum, with double locking lever or.screw cap with threaded hole M20 on the right and left side, low version, 10-polig
70.331.1035.0	Bottom BAS GUT GC 10 M20 A0	Bottom-base revos basic made of aluminum, with double locking lever or.screw cap with cable gland M20 on the left side (IP54), low version, 10-polig
70.331.1035.1	Bottom BAS GUT GC 10 M20 A1	Bottom-base revos basic made of aluminum, with double locking lever or.screw cap with threaded hole M20 on the left side, low version, 10-polig
70.333.1035.0	Bottom BAS GUT GD 10 M20 A0	Bottom-base revos basic made of aluminum, with double locking lever or.screw cap with cable gland M20 on the right side (IP54), low version, 10-polig
70.333.1035.1	Bottom BAS GUT GD 10 M20 A1	Bottom-base revos basic made of aluminum, with double locking lever or.screw cap with threaded hole M20 on the right side, low version, 10-polig
70.334.1035.0	Bottom BAS GUT GB 10 M25 A0	Bottom-base revos basic made of aluminum, with double locking lever or.screw cap with cable gland M25 on the right and left side (IP54), low version, 10-polig
70.334.1035.1	Bottom BAS GUT GB 10 M25 A1	Bottom-base revos basic made of aluminum, with double locking lever or.screw cap with threaded hole M25 on the right and left side, low version, 10-polig
70.335.1035.0	Bottom BAS GUT GC 10 M25 50 A0	Bottom-base revos basic made of aluminum, with double locking lever or.screw cap with cable gland M25 on the left side (IP54), low version, 10-polig
70.335.1035.1	Bottom BAS GUT GC 10 M25 A1	Bottom-base revos basic made of aluminum, with double locking lever or.screw cap with threaded hole M25 on the left side, low version, 10-polig
70.337.1035.1	Bottom BAS GUT GD 10 M25 A1	Bottom-base revos basic made of aluminum, with double locking lever or.screw cap with threaded hole M25 on the right side, low version, 10-polig
70.340.1035.0	Bottom BAS GUT GF 10 M20 A0	Bottom-base revos basic made of aluminum, for double locking lever withcable gland M20 on the left and right side, with protective cover (IP54), low version, 10-polig
70.340.1035.1	Bottom BAS GUT GF 10 M20 A1	Bottom-base revos basic made of aluminum, for double locking lever withthreaded hole M20 on the left and right side, with protective cover, low version, 10-polig
70.341.1035.0	Bottom BAS GUT GG 10 M20 A0	Bottom-base revos basic made of aluminum, with double locking lever andcable gland M20 on the left side, with protective cover (IP54), low version, 10-polig

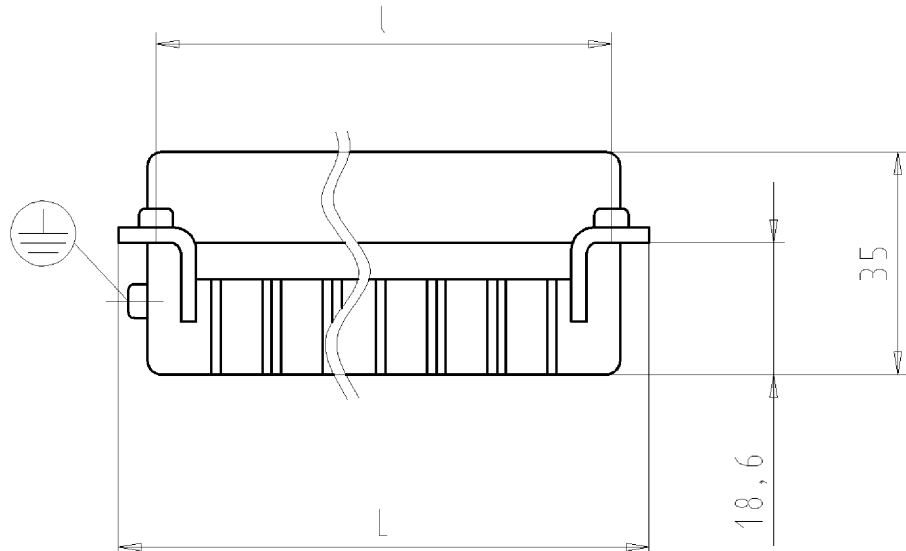
70.341.1035.1	Bottom BAS GUT GG 10 M20 A1	Bottom-base revos basic made of aluminum, with double locking lever and threaded hole M20 on the left side, with protective cover, low version, 10-polig
70.342.1035.0	Bottom BAS GUT GH 10 M20 A0	Bottom-base revos basic made of aluminum, with double locking lever and cable gland M20 on the right side, with protective cover (IP54), low version, 10-polig
70.342.1035.1	Bottom BAS GUT GH 10 M20 A1	Bottom-base revos basic made of aluminum, with double locking lever and threaded hole M20 on the right side, with protective cover, low version, 10-polig
70.343.1035.0	Bottom BAS GUT GI 10 M20 A0	Bottom-base revos basic made of aluminum, with double locking lever and cable gland M20 on the bottom, with protective cover (IP54), low version, 10-polig
70.343.1035.1	Bottom BAS GUT GI 10 M20 A1	Bottom-base revos basic made of aluminum, with double locking lever and threaded hole M20 on the bottom, with protective cover, low version, 10-polig
70.344.1035.1	Bottom BAS GUT GB 10 M25 A	Bottom-base revos basic made of aluminum, with protective cover and cable glands on the right and left side (IP54), low version, 10-poles
73.330.1035.0	Bottom BAS GUT GB 10HM25 50 A0	Bottom-base revos basic made of aluminum, with double locking lever or screw cap with cable gland M25 on the right and left side (IP54), low version, 10-polig
73.330.1035.1	Bottom BAS GUT GB 10HM25 50 A1	Bottom-base revos basic made of aluminum, with double locking lever or screw cap with threaded hole M25 on the right and left side, low version, 10-polig
73.331.1035.0	Bottom BAS GUT GC 10HM25 50 A0	Bottom-base revos basic made of aluminum, with double locking lever or screw cap with cable gland M25 on the left side (IP54), low version, 10-polig
73.331.1035.1	Bottom BAS GUT GC 10HM25 50 A1	Bottom-base revos basic made of aluminum, with double locking lever or screw cap with threaded hole M25 on the left side, low version, 10-polig
73.334.1035.0	Bottom BAS GUT GB 10HM32 50 A0	Bottom-base revos basic made of aluminum, with double locking lever or screw cap with cable gland M32 on the right and left side (IP54), low version, 10-polig
73.334.1035.1	Bottom BAS GUT GB 10HM32 50 A1	Bottom-base revos basic made of aluminum, with double locking lever or screw cap with threaded hole M32 on the right and left side, low version, 10-polig
73.335.1035.0	Bottom BAS GUT GC 10HM32 50 A0	Bottom-base revos basic made of aluminum, with double locking lever or screw cap with cable gland M32 on the left side (IP54), low version, 10-polig
73.335.1035.1	Bottom BAS GUT GC 10HM32 50 A1	Bottom-base revos basic made of aluminum, with double locking lever or screw cap with threaded hole M32 on the left side, low version, 10-polig
73.340.1035.0	Bottom BAS GUT GF 10HM25 50 A0	Bottom-base revos basic made of aluminum, for double locking lever with cable gland M25 on the left and right side, with protective cover (IP54), low version, 10-polig
73.340.1035.1	Bottom BAS GUT GF 10HM25 50 A1	Bottom-base revos basic made of aluminum, for double locking lever with threaded hole M25 on the left and right side, with protective cover, low version, 10-polig
73.341.1035.1	Bottom BAS GUT GG 10HM25 50 A1	Bottom-base revos basic made of aluminum, with double locking lever and threaded hole M25 on the left side, with protective cover, low version, 10-polig
73.342.1035.1	Bottom BAS GUT GH 10HM25 50 A1	Bottom-base revos basic made of aluminum, with double locking lever and threaded hole M25 on the right side, with protective cover, low version, 10-polig
73.344.1035.1	Bottom BAS GUT GF 10HM32 50 A1	Bottom-base revos basic made of aluminum, for double locking lever with threaded hole M32 on the left and right side, with protective cover, low version, 10-polig

73.345.1035.0	Bottom BAS GUT GG 10HM32 50 A0	Bottom-base revos basic made of aluminum, with double locking lever and cable gland M32 on the left side, with protective cover (IP54), low version, 10-polig
73.345.1035.1	Bottom BAS GUT GG 10HM32 50 A1	Bottom-base revos basic made of aluminum, with double locking lever and threaded hole M32 on the left side, with protective cover, low version, 10-polig

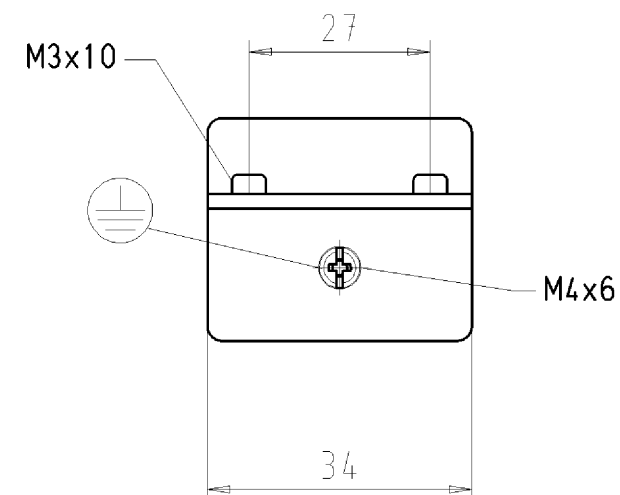
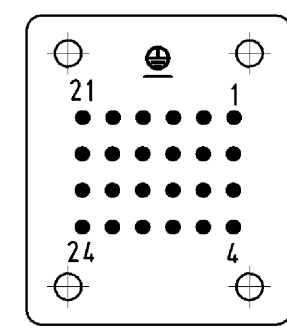
These dimensions will be especially checked at delivery
Only inspection dimensions
With /E marked dimensions are only valid for internal use

Diese Maße werden bei Abnahme besonders geprüft
Ausschließlich Prüfmaße
Mit /E gekennzeichnete Maße sind nur für interne Zwecke gültig

Zubehör - Steckerkontakte (versilbert) Accessories - plug contact (silver plated)		
Bestell-Nr. / ref. no.	mm ²	AWG
05.544.4129.8	0,14 - 0,37	26-22AWG
05.544.4229.8	0,5	20 AWG
05.544.4329.8	0,75 - 1,0	18 AWG
05.544.4429.8	1,5	16 AWG
05.544.4529.8	2,5	14 AWG



Ansicht anschlussseitig
View from cable side



Technische Daten
technical data

	VDE	UL	CS
Bemessungsspannung rated voltage	250V	600V	600V
Bemessungsstrom rated current	10A	8,5A	10A
Bemessungsstoßspannung rated peak voltage	2,5 kV		
Verschmutzungsgrad degrec of pollution	2		
Isoliermaterial insulating material	Polycarbonat polycarbonate		
Brennbarkeitklasse flamability rating	UL24-V0		
Temperaturbereich temperature range	-40° - +125°C		

Teile - Nr. part no.	Typ type	L±0.5	l±0.5	Polz. pole
73.810.2453.0	DD STC 24 1,5 25	50,5	44	24
73.810.4253.0	DD STC 42 1,5 25	63,5	57	42
73.810.7253.0	DD STC 72 1,5 25	84	77,5	72
73.810.0853.0	DD STC 108 1,5 25	110,5	104	108

Tolerierung nach DIN 7167/Tolerance system acc. to DIN 7167.
[This DIN-standard describes the envelope principle. According to the envelope principle the deviations of form and parallelism are limited by the size tolerances].

ja/yes Stoffverbots- und Deklarationsliste nach UU-TQM-05/03 ist einzuhalten.
Conformity with Wieland document UU-TQM-05/03 (list of prohibited / declarable hazardous substances) to be declared!

Freitoleranz nach - CAD - Zeichnung, keine manuellen Änderungen
General tolerance CAD - drawing, no manual modifications allowed

1. Verwendung: - Blatt: 1 von 1
First Use: Sheet: of

Werkstoff/Material Farbe: grau ähnl. RAL 7032 colour: grey similar RAL 7032	2005 gezeichnet drawn 30.08. geprüft checked -	Tag/Date Name Hennemann V.	Zeichnung Nr./Drawing No. T 73.810.2453.0 01K	Index a
Maßstab/Scale %			Maße in mm/Dimensions are in mm	
Vol. mm ³ Off./Surf. mm ²	Ersatz für/Replacement for: -			
a 29.11.2005/ Index Datum / Blatt Date / Sheet		wieland Elektrische Verbindungen		
Änderung/Revision		Type Benennung/Title STECKEREINSATZ male connector insert		

Weitergabe sowie Vervielfältigung dieses Dokuments, Verwertung und Mitteilung
 seines Inhalts sind verboten, soweit nicht ausdrücklich gestattet.
 Reproduktion, distribution and utilization of this document as well as the
 communication of its contents to others without express authorization is prohibited.

738102453001K_4_CADW1044_treschan 2005-12-01T10:01:18 1:000