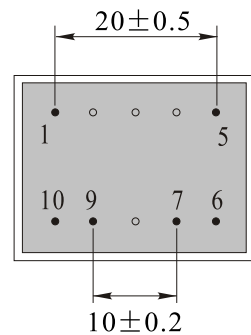
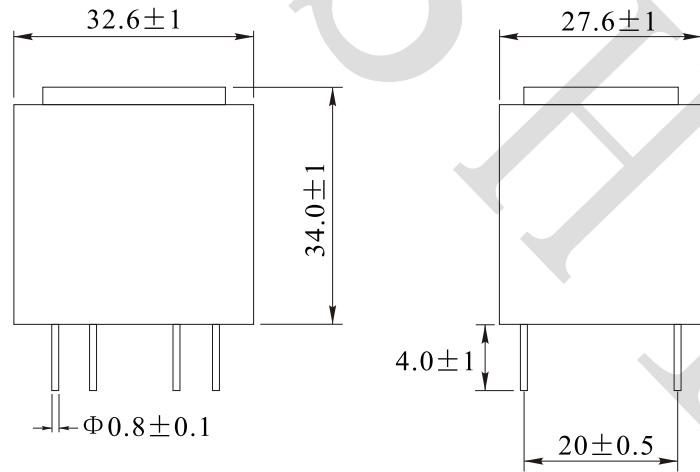
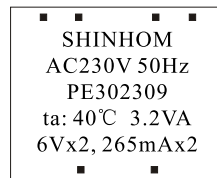


Rev.	Description	Date
A0	New release	2024.01.30

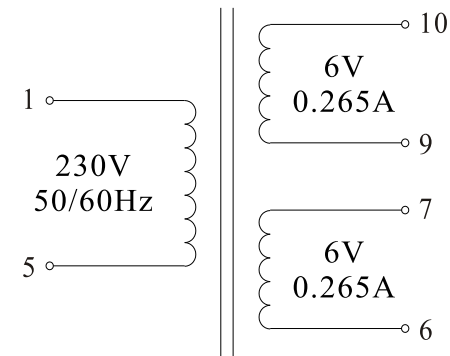
1. PHYSICAL CHARACTERISTICS (mm)



Marking



2. ELECTRONICAL SCHEMATIC



3. ELECTRONICAL SPECIFICATIONS

Pri voltage: 230V, 50/60Hz

Noload sec voltage: 11.5Vac Ref

Load Sec voltage: 6-7: 6Vac±0.5Vac@0.265A

9-10: 6Vac±0.5Vac@0.265A

Hi-Pot: 4000V, 50Hz, 5mA, 60S Pri to Secondary

Operating temperature: -40°C to +85°C

NAME:	Potting Transformer		
CUSTOMER P/N:	BV EI 306 2075	DATE:	2024-01-30
SHINHOM P/N:	PE302309	REV:	A0
DRAWN BY:	CHECKED BY:	APPROVE BY:	



SHINHOM
SHAANXISHINHOM ENTERPRISE CO LTD

The Document property belong to SHINHOM & is not allowed to be duplicated without authorization