



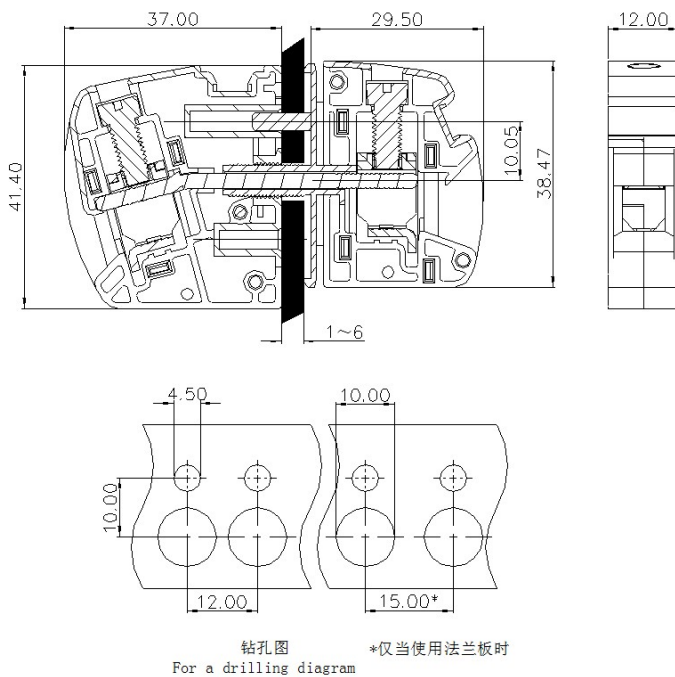
Category: 穿墙式端子/Plug-in terminal-plug

Product name: 穿墙接线端子SCWH16S

Product Description: 12mm , 800V , 76A CE



## Product Picture



## 基本信息 /Basic Information

产品型号 SUPU ID	SCWH16S
产品层数 Number of levels	1
产品位数 Number of connections	2P
接线方式 Connection method	螺钉接线
防护等级 Protection Level	IP20
工作温度 Work temperature	-40~+105°C

## IEC数据 /IEC Data

---

额定电流 Rated Current	76A		
额定电压 Rated Voltage	800V		
过压类别 Overvoltage category	III	III	II
污染等级 Pollution degree	3	2	2
额定冲击电压 Rated impulse voltage	8KV	8KV	8KV
额定电压 Rated Voltage	500V	1000V	1000V
硬导线截面积 Conductor cross section solid	6-25mm <sup>2</sup>		
柔性导线截面积 Conductor cross section flexible	6-16mm <sup>2</sup>		
柔性导线截面积，带绝缘管套 Conductor cross section flexible,with furrule	6-16mm <sup>2</sup>		
锁线螺钉规格 Locking screw Specification	M5		
额定扭矩 Rated Torque	2.5N.m		
固定螺钉规格 Fixed Screw Specification	-		
额定扭矩 Rated Torque	-		
剥线长度 Stripping length	16mm		

## UL数据 /UL Data

---

使用组别 Use group	B	C	D
额定电流 Rated Current	85A	85A	-
额定电压 Rated Voltage	600V	600V	-
额定接线容量 Rated cross section		10-4AWG	

## 材料信息 /Material Data

---

绝缘材料 Insulation material	PA66
绝缘材料组别 Insulation material group	I
阻燃等级，符合UL94 Flame retardant grade, UL94 compliance	V0
导电体材料 Contact material	Copper alloy
导电体表面镀层 Surface characteristics	Sn,Plated

## 产品认证 /Product Certification

---

认证图标  
Certificate



UL证书号  
UL file No.

VDE证书号  
VDE No.

TUV证书号  
TUV No.

Ningbo Supu Electronics Co.,Ltd

Zip code: 315303

Fax: +86 574-63288170

E-mail : askme@supu.cn

Address: No. 625, Kandun Town Street, Cixi  
City, Zhejiang Province

Switchboard: +86 574-63288158

E-mail : askme@supu.cn

Service Hotline: 400-626-6336



Code