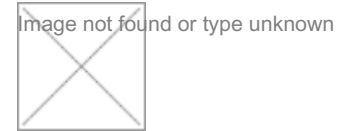


Data sheet

Commercial Art.No.: 92.030.1053.1

Distributor GST18I3V 2P1T V SW

T-connector GST18i3, 3 pole, 1 input, 2 outputs, 250 V, 20 A, colour of coding: black



Commercial Art.No.	92.030.1053.1
EAN	4015573369399
Order Unit	1

Certificates / Approvals



Technical data

General

Rated current	20 A
Rated voltage	250 V
Rated impulse voltage	4 kV
Pollution degree	2
Mechanical coding	Code 1
Lockable	self-locking (unlocking by tool)
Color of coding/ contact carrier	black
Marking of poles	L, N, PE

Model

Number of inputs	1
Number of outputs	2
Type of fastening	No
Degree of protection (IP)	IP20
Type of distributor	T-distributor

Material

Housing material	Polyamide
halogen free	yes
Contact material	CuZn
Fire load	0 kWh
Insulation components continuous temperature	100 °C
Surface finish	Tin-plated

Classification

ECLASS 11	
ECLASS 8.1	27440603
ETIM 7.0	EC002567
ETIM 6.0	EC002567
ETIM 5.0	EC002567
ETIM 4.0	EC002567

Dimensions

Length	44 mm
Width	28.2 mm
Height	43 mm

Product compliance

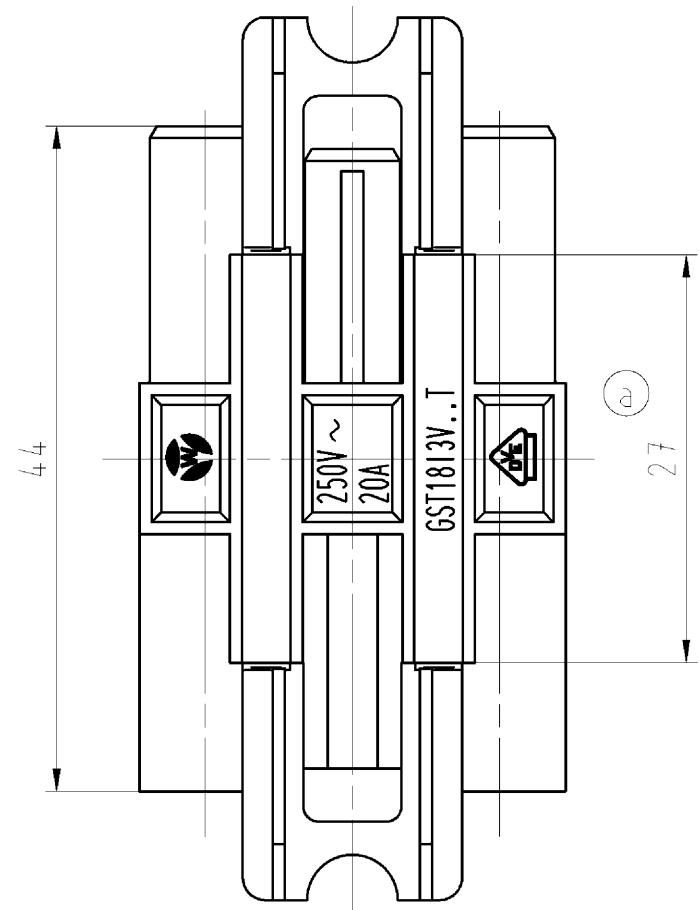
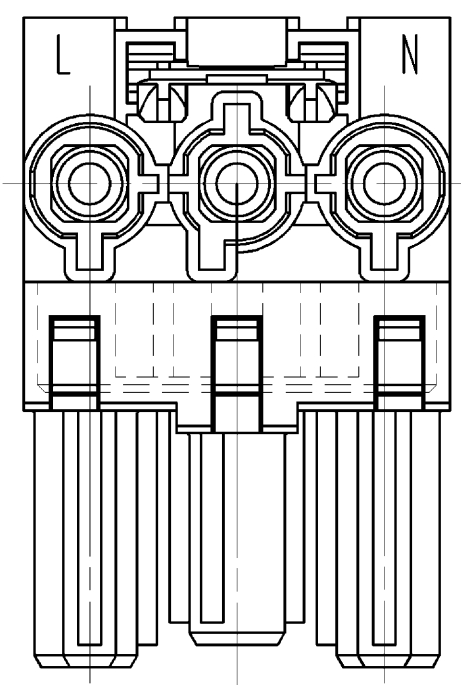
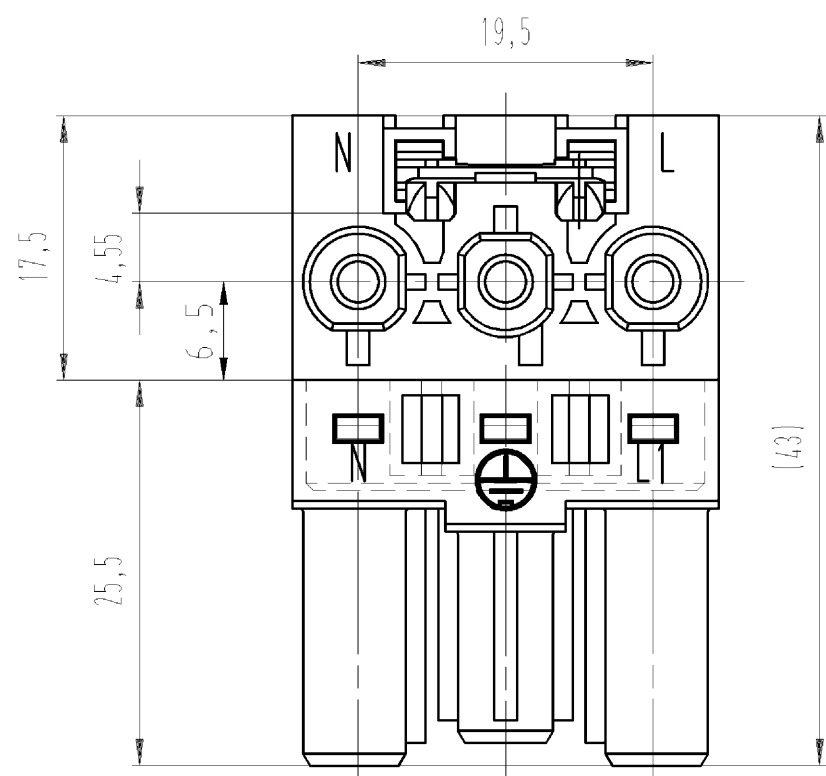
ROHS conformity status	Compliant
REACH-SVHC conformity status	Compliant

Accessories

Commercial Art.No.:	Article-type description:	Description:
05.588.5753.0	Lock GST18 VERTEILER WS	Locking device for distributor GST18i3-5, retrofit part, white
05.588.5753.1	Locking slide GST18 VERTEILER SW	Locking device for distributor GST18i3-5, retrofit part, black
05.561.3653.0	cover cap GST18i3VS B WS	Cover piece for female GST18i3, white
05.561.3653.1	cover cap GST18i3VS B SW	Cover piece for female GST18i3, black
05.564.5353.0	cover cap GST18i3/4/5 SW	Cover piece 12 pole black for female parts GST18i3-6
05.564.5353.2	cover cap GST18i3/4/5 WS	Cover piece 12 pole white for female parts GST18i3-6
05.594.4250.0	cover cap ST18/3B + GST18i3 ST WS	
05.594.4253.0	cover cap ST18/3B + GST18i3 ST WS	

These dimensions will be especially checked at delivery
 Only inspection dimensions
 With /E marked dimensions are only valid for internal use

Diese Maße werden bei Abnahme besonders geprüft
 Ausschließlich Prüfmaße
 Mit /E gekennzeichnete Maße sind nur für interne Zwecke gültig



Teile-Nr./part number	Farbe/colour	Typ/type
92.030.1053.0	weiß/white	GST1813V 2P1T V ws
92.030.1053.1	schwarz/black	GST1813V 2P1T V sw

Tolerierung Size ISO 14405 (E) / Tolerance system Size ISO 14405 (E). (This ISO-standard describes the envelope principle. According to the envelope principle the deviations of form and parallelism are limited by the size tolerances).		ja/yes <input checked="" type="checkbox"/> Stoffverbots- und Deklarationsliste nach UU-TOM-05/03 ist einzuhalten. Conformity with Wieland document UU-TOM-05/03 (list of prohibited / declarable hazardous substances) to be declared!	
Freitoleranz nach General tolerance		CAD - Zeichnung, keine manuellen Änderungen CAD - drawing, no manual modifications allowed	1. Verwendung: - First Use:
Blatt: 1 von 1 Sheet: 1 of 1		Zeichnung Nr./Drawing No. Index	
T 92.030.1053.0 01K a		Maße in mm/Dimensions are in mm	
Werkstoff/Material		2001 Tag/Date	Name
Maßstab/Scale		gezeichnet/drawn	07.12. Bauer F.
2:1		geprüft/checked	-
Vol. mm³		Normgepr. Stand. check	-
Wieland Elektrische Verbindungen		Ersatz für/Replacement for: -	
a 21.05.2013/ Index Datum / Blatt Date / Sheet		Type Benennung/Titel	
Änderung/Revision		VERTEILER_T_FORM distribution rack T-form 250V AC 20A	

Weitergabe sowie Vervielfältigung dieses Dokuments, Verwertung und Mitteilung seines Inhalts sind verboten, soweit nicht ausdrücklich gestattet.
 The reproduction, distribution and utilization of this document as well as the communication of its contents to others without express authorization is prohibited.

920301053001K_2 CADW3030_Lunz 2013-05-21T13:05:32 1.000